

REMOTE HYDRAULIC COMPRESSION TOOLS

© Panduit Corp. 2012

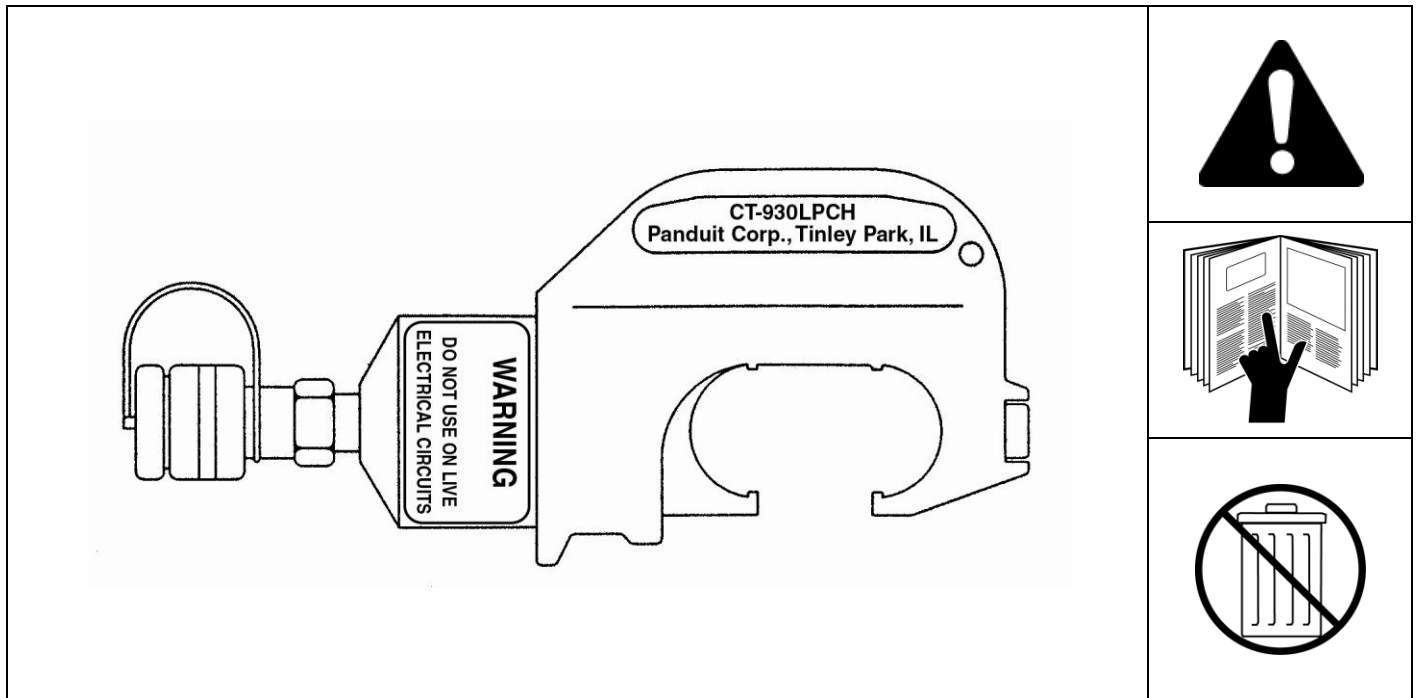


TABLE OF CONTENTS

SYSTEM SPECIFICATIONS	1
OPTIONAL ACCESSORIES	2
PRECAUTIONS AND GENERAL GUIDELINES	3
DIE SELECTION, IDENTIFICATION, INSTALLATION	4
TOOL OPERATION	6
MAINTENANCE	7
Periodic Maintenance	7
Cleaning and Lubrication of Tool Head	8
Visual Inspection	8
Force Inspection/Calibration	8

Website: www.panduit.com
Email: techsupport@panduit.com

EU Website:
www.panduit.com/emea

EU Email: emeatoolservicecenter@panduit.com



Panduit Corp. • Tinley Park, IL USA
Technical Support
Tel: 888-506-5400, ext. 83255

Panduit Europe • EMEA Service Center
Almelo, Netherlands
Tel: +31 546 580 452 • Fax: +31 546 580 441

**SYSTEM SPECIFICATIONS**

CT-930CH Hydraulic Crimping Tool	Output:	14 Tons / (12.7 metric tons)
	Input:	10,000 PSI / (700-kg/cm ²) hydraulic pressure provided by a separate hydraulic pump system (Panduit CT-901HP Hydraulic Pump and CT-900HPH 10-foot Hydraulic Hose).
	Dimensions:	12-3/4" L x 5" H x 3" W 324 L x 124 H x 76 W (mm)
	Weight:	11 lbs. / (5 kg)
	Hydraulic Fittings:	Parker-Hannifin 3/8" Female Quick Coupler
Carrying Case:	Included with CT-930CH Tool	

CT-930LPCH Hydraulic Crimping Tool	Output:	10.5 Tons / 9.0 metric tons
	Input:	7,500 PSI / (700-kg/cm ²) hydraulic pressure provided by a separate hydraulic pump system (Panduit CT-8250HP Hydraulic Pump and CT-900LPHPH 10-foot Hydraulic Hose).
	Dimensions:	12-3/4" L x 5" H x 3" W 324 L x 124 H x 76 W (mm)
	Weight:	11 lbs. / (5 kg)
	Hydraulic Fittings:	Parker-Hannifin 3/8" Male Quick Coupler
Carrying Case:	Included with CT-930LPCH Tool	

CT-940CH Hydraulic Crimping Tool	Output:	15.0 tons / (13.6 metric tons)
	Input:	10,000 PSI / (700 kg/cm ²) hydraulic pressure provided by a separate hydraulic pump system (Panduit CT-901HP Hydraulic Pump and CT-900HPH 10 foot Hydraulic Hose).
	Dimensions:	14.5" L x 4.1" H x 2.5" W 386 L x 104 H x 64 W (mm)
	Weight:	14.5 lbs. / (4.8 kg)
	Hydraulic Fittings:	Parker-Hannifin 3/8" Female Quick Coupler
Carrying Case:	Included with CT-940CH Tool	

NOTE: CONNECTIONS UTILIZING THIS TOOL ARE U.L. LISTED AND C.S.A. CERTIFIED ONLY WHEN PANDUIT COMPRESSION CONNECTORS ARE USED. USE OF ANY OTHER BRAND OF COMPRESSION CONNECTORS IS NOT RECOMMENDED.

Consult product packaging, Panduit catalog or website for information on recommended connectors.

**OPTIONAL ACCESSORIES (sold separately)**

Compression Dies - for CT-930CH, CT-930LPCH, or CT-940CH:	Refer to Panduit catalog or Sales Office for part numbers and specific die application information.
CD-940-DA Die Adapter:	To be used with CD-920 and CD-930 series dies
CG-920 Compression Gauge:	Verifies the compression force of the CT-930CH and CT-930LPCH tools.
CG-940 Compression Gauge:	Verifies the compression force of the CT-940CH tool.
CT-900HPH or CT-900LPHPH:	Electrically non-conductive 10 ft. hose. Supplied pre-filled with hydraulic fluid for fast start up.
Hydraulic Pump System – for the CT-930CH and CT-940CH:	CT-901HP Hydraulic Pump System is factory preset at 10,000-PSI \pm 200 PSI. Pump shuts off when cycle is complete. Will not release until the down switch is activated.
Hydraulic Pump System – for the CT-930LPCH:	CT-8250HP Hydraulic Pump System is factory preset at 7,500-PSI \pm 200 PSI. Pump shuts off when cycle is complete. Will not release until the down switch is activated.
CT-901RCH Remote Control Handle	To ease operation of the Hydraulic Tool System Dimensions: 155 L x 167 H x 34 W (mm) 6.1 L x 6.6 H x 1.4 W in. Weight: 3.0 (kg) / 6.6 lbs.
CT-901RFS Remote Foot Switch	Remote Foot Switch allows for hands free operation Dimensions: 243 L x 173 H x 180 W (mm) 9.6 L x 6.8 H x 7.1 W in. Weight: 3.5 (kg) / 7.7 lbs.
PG-1	Verifies the PSI reading of the CT-901HP Hydraulic Pump.
PG-1SC	Verifies the PSI reading of the CT-8250HP Low Pressure Hydraulic Pump.

The information contained in this literature is based on our experience to date and is believed to be reliable. It is intended as a guide for use by persons having technical skill at their own discretion and risk. We do not guarantee favorable results or assume any liability in connection with its use. Dimensions contained herein are for reference purposes only. For specific dimensional requirements consult the factory. This publication is not to be taken as a license to operate under, or a recommendation to infringe any existing patents. This supersedes and voids all previous literature, etc.



PRECAUTIONS AND GENERAL GUIDELINES

	This symbol is used to call your attention to hazards or unsafe practices which could result in an injury or property damage. The signal word, defined below, indicates the severity of the hazard. The message after the signal word provides information for preventing or avoiding the hazard.	
	WARNING	Hazards which, if not avoided, COULD result in severe injury or death.
	CAUTION	Hazards or unsafe practices which, if not avoided, MAY result in injury or property damage.

	WARNING
	Read and understand all of the instructions and safety information in this manual before operating or servicing this tool.
	WARNING
	Electric Shock Hazard: This tool is not insulated. When using this unit on or near energized electrical lines, use proper personal protective equipment.
	WARNING
	Wear eye protection when operating or servicing this tool. Failure to wear eye protection can result in serious eye injury from flying debris or hydraulic oil.
	WARNING
	Skin Injection Hazard: Oil under pressure easily punctures skin causing serious injury, gangrene, or death. If you are injured by escaping oil, seek medical attention immediately. <ul style="list-style-type: none"> • Do not use hands to check for leaks. • Depressurize the hydraulic system before servicing.
	WARNING
	Keep hands away from the tool head when crimping.
	WARNING
	Do not use solvents or flammable liquids to clean this tool. Solvents or flammable liquids could ignite and cause serious injury or property damage. Do not use tool in or near a highly flammable or explosive atmosphere and/or materials.

**WARNING**

- An incomplete crimp can cause a fire.
- Use proper connector and cable combinations. Improper combinations can result in an incomplete crimp.
- The relief valve will sound to indicate a completed crimp. If you do not hear the sound of the relief valve, the crimp is not complete.
- Inspect tool before use. A worn or damaged tool may result in breakage striking the operator or nearby personnel.

**CAUTION**

- Do not perform any service or maintenance other than as described in this manual. Injury or damage to the tool may result.
- Do not place the tool in a vise. The tool is designed for hand-held operation.
- Protect the tool from rain and moisture.
- Use this tool for the manufacturer's intended purpose only.

**IMPORTANT INFORMATION**

- Keep the tool head portion clean and free from debris. Excessive dirt and grit can contribute to the premature wear of the tool's internal mechanical parts. When not using the tool, regularly check that no foreign matter or debris exists in the open areas between the indenters in the tool head.
- Soap and a damp cloth should be used to clean the tool body.
- Always store the tool in its clean, dry carrying case when not in use.
- **DO NOT** press trigger and release button simultaneously. Damage to trigger linkage may result.
- Always point tool away from others.
- If the tool is kept in cold temperatures below 23°F/-5°C for any extended time, it is advisable to return the tool to room temperature for 1 hour before using.
- Avoid dropping the tool. Extreme shock may damage the hydraulic circuit and result in malfunction of the tool.
- Always verify the proper size connector for the conductor, by checking the color code and the printing on the connector.

DIE SELECTION

Match index number and color on die (see *Figures 1 and 2 on Page 5*) to index number and color band on connector.

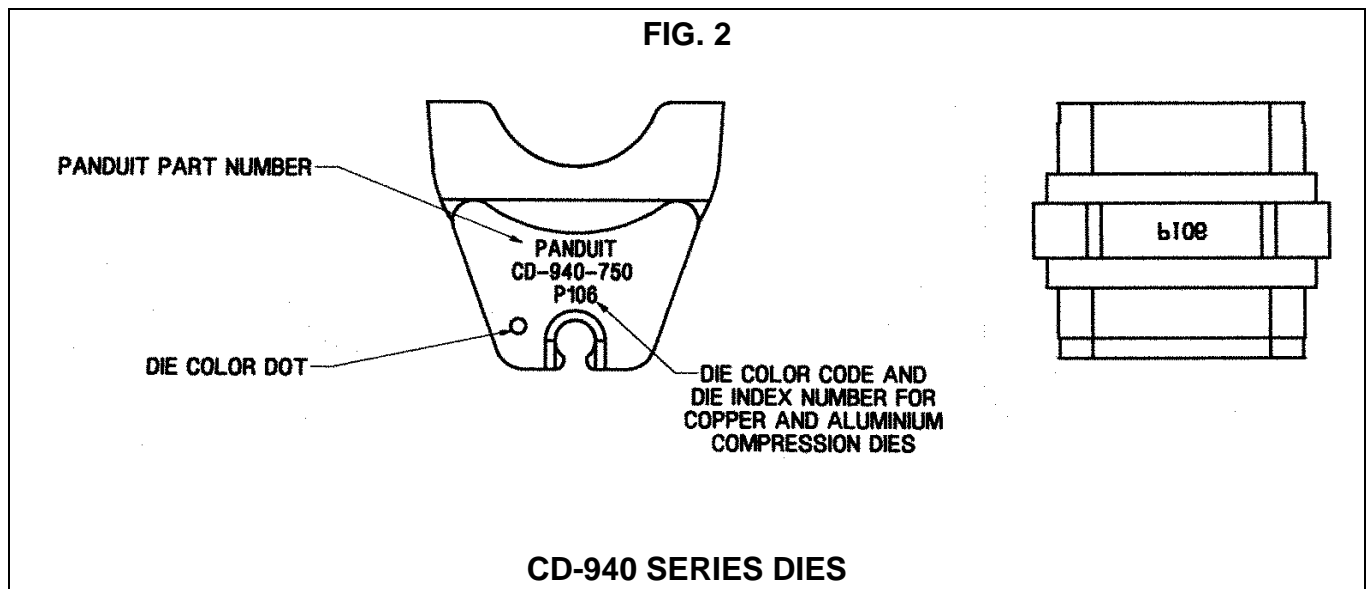
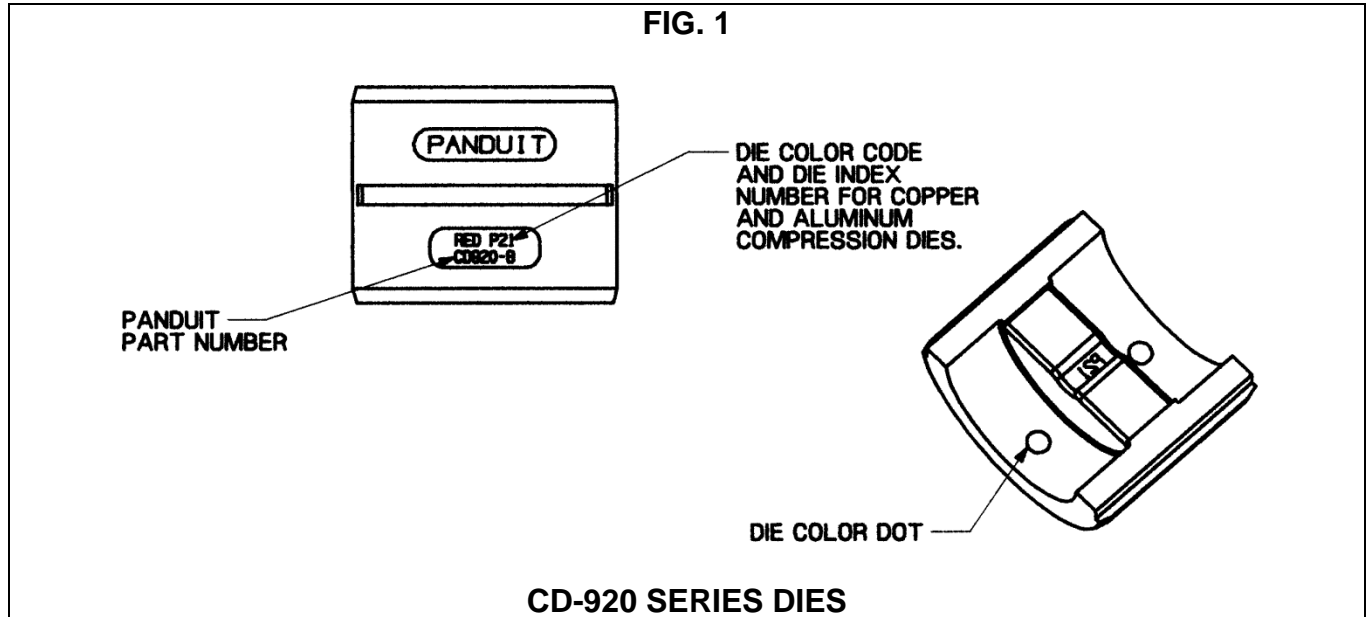
NOTE: CONNECTIONS UTILIZING THIS TOOL ARE U.L. LISTED AND C.S.A. CERTIFIED ONLY WHEN PANDUIT COMPRESSION CONNECTORS ARE USED. USE OF ANY OTHER BRAND OF COMPRESSION CONNECTORS IS NOT RECOMMENDED.

Consult product packaging, Panduit catalog or website for information on recommended connectors.



DIE IDENTIFICATION FOR USE WITH MATCHED CONNECTOR

1. Always verify correct die set by die part number.
2. Color coding dot for verification may be found near die crimp pocket.



DIE INSTALLATION



CAUTION: DO NOT operate tool without dies installed.

1. Select the appropriate dies to match the connector to be crimped.
2. Align one of the die halves in the die cavity contour in the tool head or ram. While depressing the die release buttons, slide the die half so it is seated in the die cavity. Release the die release buttons and check to ensure the die is locked into place. Repeat procedure with second die half.

FIG. 3

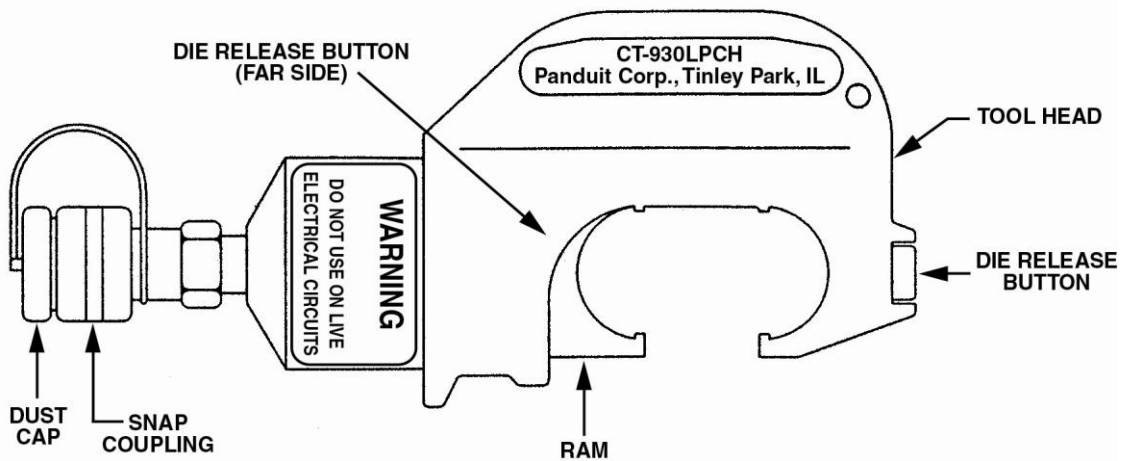
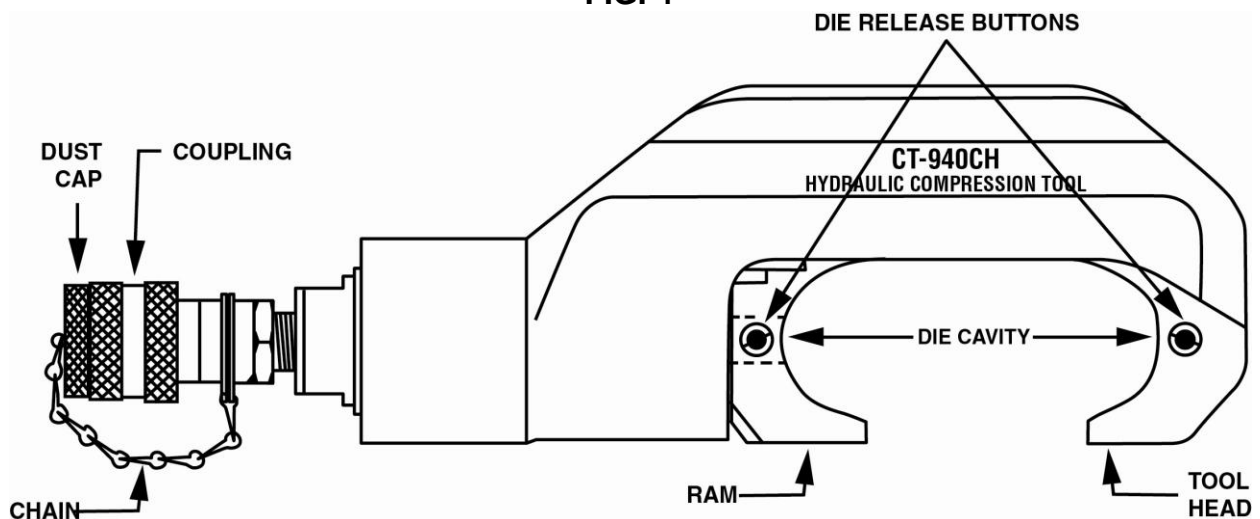


FIG. 4



TOOL OPERATION (see Figures 3 and 4 above)

1. The CT-930CH and CT-940CH Tool Heads must be operated with a compatible hydraulic pump system, capable of developing and sustaining 10,000 PSI (700 kg/cm²). The Panduit CT-901HP Hydraulic Pump and CT-900HPH High Pressure Hose (electrically non-conductive; 10 foot long) are recommended. This system's fittings are matched to the tool head fittings

The CT-930LPCH Tool Head must be operated with a compatible hydraulic pump system, capable of developing and sustaining 7,500 PSI (525 kg/cm²). The Panduit CT-8250HP Hydraulic Pump and CT-900LPHPH Low Pressure Hose (electrically non-conductive; 10 foot long) are recommended. This system's fittings are matched to the tool head fittings.

2. The CT-930CH, CT-930LPCH and CT-940CH Tool Heads have been charged with hydraulic fluid at the factory. Remove the dust cap from the connector coupling on the tool.



CAUTION: Upon removing the dust cap, be sure to keep the hydraulic fittings on the tool head, hydraulic pump and hydraulic hose free from contaminants. Failure to do so may lead to malfunction of the tool head and/or hydraulic pump.

3. Connect the coupling of the tool head onto the coupling of the hydraulic hose.
4. Refer to the operation manual provided with your particular hydraulic pump system for the specific set-up operation, and maintenance of the hydraulic pump. Verify that the open areas between the ram and tool head are free of foreign matter and debris that could jam or damage the tool during operation. Cycle the tool head 2 or 3 times by activating the hydraulic pump. Be sure dies are in the tool head prior to cycling the tool. Check for leaks at all connections.
5. Carefully place the connector between the dies so that the dies will crimp between the color bands on the connector. Activate the pump to advance the ram until the connector is held by the dies.



CAUTION: **DO NOT** crimp the connector at this time.

6. Verify that the conductor size and dies properly match the connector size being used. Insert the conductor completely into the connector barrel.
7. Begin crimping by activating the hydraulic system. The Panduit CT-901HP and CT-8250HP Hydraulic Pumps incorporate a by-pass valve which, when activated, shuts off the pump when the crimp is completed.
8. Deactivate the hydraulic system to retract the ram for removal or repositioning of the connector/conductor assembly.

MAINTENANCE

PERIODIC MAINTENANCE

1. Daily maintenance is important to keep the tool in good working condition. Keep the head clean and free of debris. Excessive dirt and grit can contribute to the premature wear of the tool's mechanical parts. Always replace the dust cap on the connector fitting, and store the tool in its clean, dry carrying case when not in use.
2. Particular attention should be made in keeping the tool head openings free of foreign matter and debris. When using the tool regularly, check that no foreign matter or debris exists in the open areas between the ram and tool head. Thoroughly clean and lubricate the tool head. A tool that is dirty with excessive foreign matter may jam and become damaged during operation.
3. The hydraulic system has been calibrated and sealed at the factory. Consult our Tool Solutions Division Service Department if hydraulic problems are experienced.
4. As long as the daily maintenance procedures are adequately carried out, the tool will provide quality service for years. However, if problems are experienced, please contact our Tool Solutions Division Service Department at (888) 506-5400, ext. 83255.



CLEANING AND LUBRICATION OF TOOL HEAD

Thorough cleaning and lubrication of the tool head is recommended annually, depending on usage. It is recommended that the CT-930CH, CT-930LPCH or CT-940CH Tools be returned to Panduit Tool Solutions Division for proper maintenance by our trained service staff.

VISUAL INSPECTION

1. Visually inspect tool for cracks or damage that may affect tool performance.
2. Visually inspect indenters for cracks, chips or damaged surfaces.
3. Visually inspect tool for loose or missing components and evidence of loss of hydraulic fluid.
4. If tool is damaged, or if parts are missing, contact Panduit Tool Solutions Division.

FORCE INSPECTION / CALIBRATION

Inspect the compression force of the crimp head monthly, whenever possible damage has occurred, or as often as operating conditions warrant.

The tool output force can be certified by using a Panduit Compression Gauge, CG-920 or CG-940 (purchased separately, see *Optional Accessories on Page 2*), or return tool to Panduit Tool Solutions Division for maintenance and calibration.

For further information or assistance, call Panduit Tool Solutions Division at: 888-506-5400, ext. 83255; and ask for one of our Tool Service Technicians.