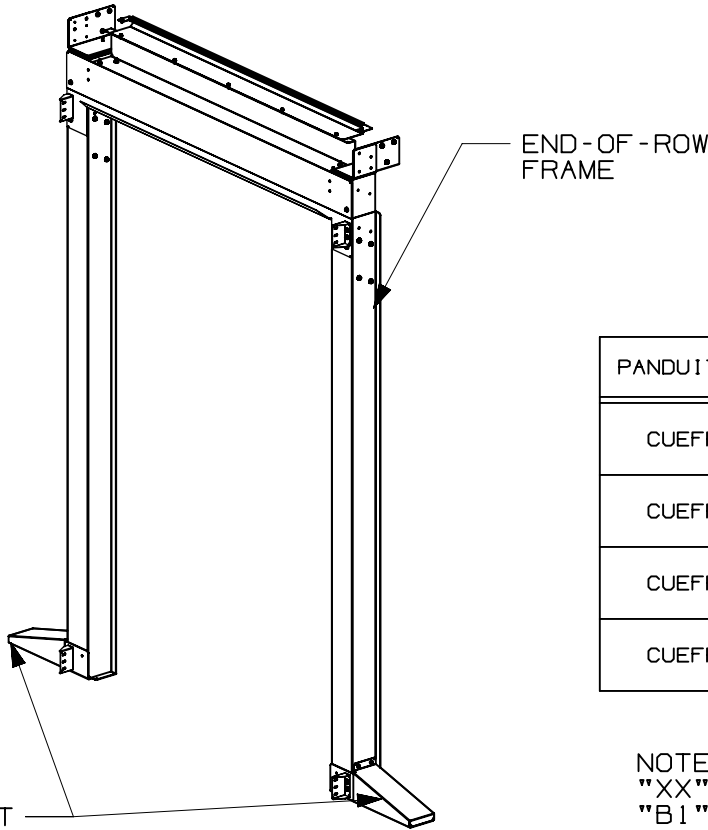


THIS COPY IS PROVIDED ON A RESTRICTED BASIS AND IS NOT TO BE USED IN ANY WAY DETRIMENTAL TO THE INTERESTS OF PANDUIT CORP.

NOTES:

1. VISIT OUR ONLINE CATALOG AT WWW.PANDUIT.COM FOR A LIST OF CURRENT PARTS APPLICABLE WITH THIS PRODUCT.
2. PRIMARY DIMENSIONS ARE MILLIMETERS (mm). DIMENSIONS IN PARENTHESES ARE IN INCHES (IN).
3. PARTS SUPPLIED:

- 1 - END-OF-ROW FRAME (UNASSEMBLED)
- 2 - SUPPORT PLATES
- 1 - HARDWARE KIT (NOT SHOWN)



| PANDUIT PART NO. | DESCRIPTION | WEIGHT |
|------------------|--|-----------------------------------|
| CUEFRT8W04XX | NET-CONTAIN UAC END OF ROW FRAME - 4ft (1200mm) AISLE WIDTH 42RU/45RU HIGH | 40.66 Kg/EACH (89.6 LBS/EACH) |
| CUEFRT8W06XX | NET-CONTAIN UAC END OF ROW FRAME - 6ft (1800mm) AISLE WIDTH 42RU/45RU HIGH | 60.21 Kg/EACH (132.8 LBS/EACH) |
| CUEFRT9W04XX | NET-CONTAIN UAC END OF ROW FRAME - 4ft (1200mm) AISLE WIDTH 48RU/52RU HIGH | 50.05 Kg/EACH (110.4 LBS/EACH) |
| CUEFRT9W06XX | NET-CONTAIN UAC END OF ROW FRAME - 6ft (1800mm) AISLE WIDTH 48RU/52RU HIGH | 73.29 Kg/EACH (161.6 LBS/EACH) |

NOTE:
 "XX" IN THE PART NUMBER DENOTES COLOR,
 "B1" FOR BLACK AND "W1" FOR WHITE

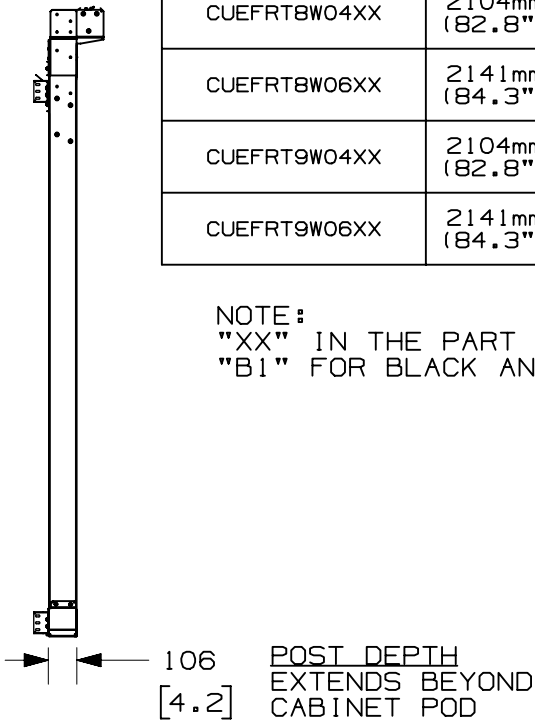
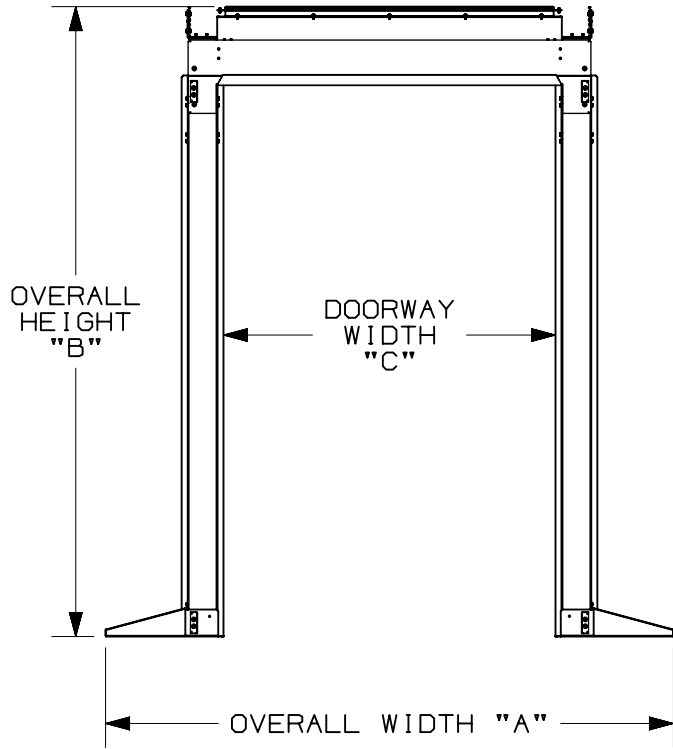
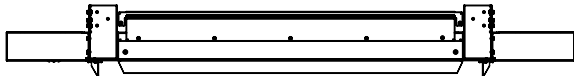
42/45RU X 1200mm
 VERSION SHOWN

| REV | DATE | BY | CHK | APR | DESCRIPTION | ECN | DRAWN BY | DATE | CHK | SCALE | SHT 1 OF 2 | SIZE |
|-----|---------|----------|-----|-----|------------------------|-------------|----------|---------|-----|-------|------------|------|
| 00A | 4/12/16 | MEX-JAGC | WAB | SGI | RELEASED TO PRODUCTION | V09000UD/02 | MEX-JAGC | 4/12/16 | WAB | NONE | SHT 1 OF 2 | A |

| | | | |
|--------------------|-----------------|--------------------------------------|--|
| TITLE | | NET-CONTAIN UAC END OF ROW FRAMES-V2 | |
| CUSTOMER DRAWING | | | |
| ITEM REVISION NAME | 15V530AF/00 | PANDUIT | |
| DATASET FILE NAME | 15V530AF_DC/00A | | |
| MATERIAL: | N/A | | |
| DRAWING NUMBER: | 15V530AF - DC | | |

| | | | |
|------------------------|--|-------------------------------|--|
| THIRD ANGLE PROJECTION | | DRAWING NUMBER: 15V530AF - DC | |
|------------------------|--|-------------------------------|--|

THIS COPY IS PROVIDED ON A RESTRICTED BASIS AND IS NOT TO BE USED IN ANY WAY DETRIMENTAL TO THE INTERESTS OF PANDUIT CORP.



| PANDUIT PART NO. | DIM "A" | DIM "B" | | | | DIM "C" |
|------------------|-------------------|-------------------|-------------------|-------------------|--------------------|-------------------|
| | | 42RU | 45RU | 48RU | 52RU | |
| CUEFRT8W04XX | 2104mm (82.8") | 2209mm (87.0") | 2333mm (91.9") | N/A | N/A | 1230mm (48.4") |
| CUEFRT8W06XX | 2141mm (84.3") | 2209mm (87.0") | 2333mm (91.9") | N/A | N/A | 1307mm (51.5") |
| CUEFRT9W04XX | 2104mm (82.8") | N/A | N/A | 2467mm (97.1") | 2644mm (104.0") | 1230mm (48.4") |
| CUEFRT9W06XX | 2141mm (84.3") | N/A | N/A | 2467mm (97.1") | 2644mm (104.0") | 1307mm (51.5") |

NOTE:
 "XX" IN THE PART NUMBER DENOTES COLOR,
 "B1" FOR BLACK AND "W1" FOR WHITE

| | | | | | | | | | | |
|-----|---------|----------|--|-----|--------------------------------|--|--|--|-------------|--|
| | | | | | | | | | | |
| | | | | | | | | | | |
| | | | | | | | | | | |
| | | | | | | | | | | |
| | | | | | | | | | | |
| | | | | | | | | | | |
| 00A | 4/12/16 | MEX-JAGC | | SGI | SEE SHEET 1 OF 2 FOR REVISIONS | | | | V09000UD/02 | |

| | | | |
|--------------------|-----------------|---|--|
| TITLE | | NET-CONTAIN UAC END OF ROW FRAMES-V2 | |
| CUSTOMER DRAWING | | | |
| ITEM REVISION NAME | 15V530AF/00 | PANDUIT | |
| DATASET FILE NAME | 15V530AF_DC/00A | | |
| MATERIAL: | | N/A | |
| DRAWING NUMBER: | | 15V530AF - DC | |

| | | | | | | | | | | | | |
|-----|------|----|-----|-----|-------------|-----|----------|---------|-----|-------|------------|------|
| REV | DATE | BY | CHK | APR | DESCRIPTION | ECN | DRAWN BY | DATE | CHK | SCALE | SHT 2 OF 2 | SIZE |
| | | | | | | | MEX-JAGC | 4/12/16 | | NONE | | A |