

PN232B INSTALLATION INSTRUCTIONS

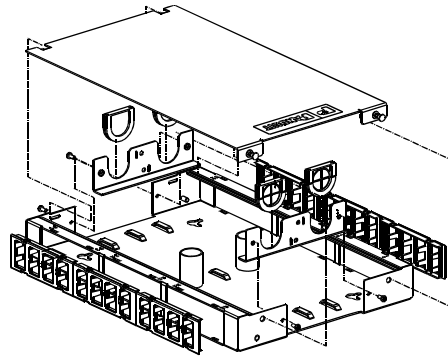
© Panduit Corp. 2001

Printed in U.S.A.

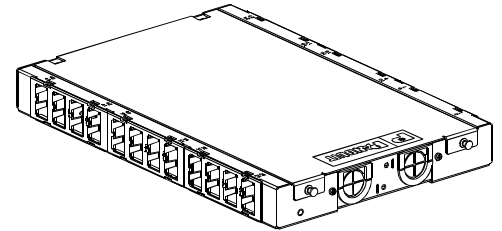
1.0 COMPONENT IDENTIFICATION

PARTS

- (1) Metal Box
- (1) Cover
- (4) *TAK-TY*[™]
- (6) Adapter Plates (removable)
- (4) Pass Thru Plates (with screws)
- (2) Rubber Grommets for Pass Thru Plates
- (1) 48 Port Identification Label
- (2) Plungers
- (2) Grommets for Plungers



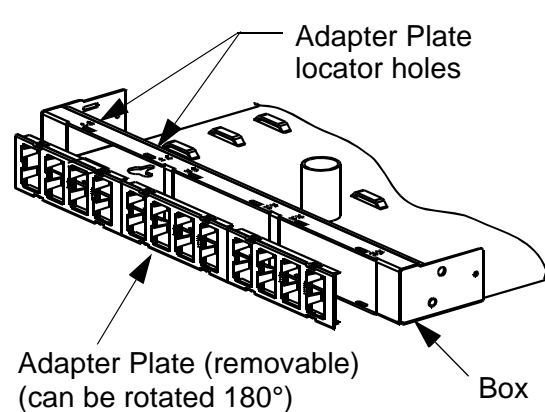
CUFB48BL



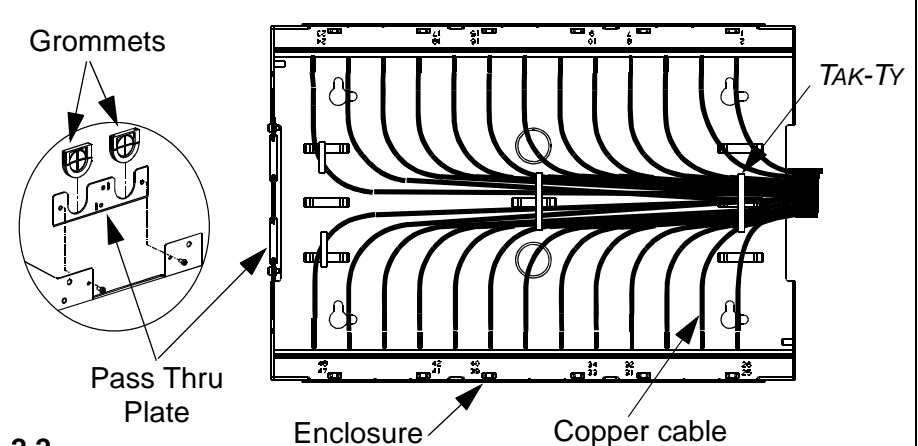
The 48 Port Consolidation Point Box is designed for use with raised floor products including SMED "Nexus" underfloor systems. This zone product can also be wall mounted.

2.0 Box Assembly

- 2.1 Set box on flat work surface. Snap the (6) Adapter Plates in place, then snap properly terminated *MINI-COM*[®] modules in place. *MINI-COM* modules mount side by side vertically in the Adapter Plates.
- 2.2 Position cables into either side of the box and secure them with the *TAK-TYS* provided to the raised tabs in the floor of the box. If cables enter one end of the box, then install (1) Pass Thru Plate to seal off the opposite end of the box. To assemble the Pass Thru Plate, slide the (2) Grommets into the slots of the Pass Thru Plate, then fasten the plate to box with the screws provided.



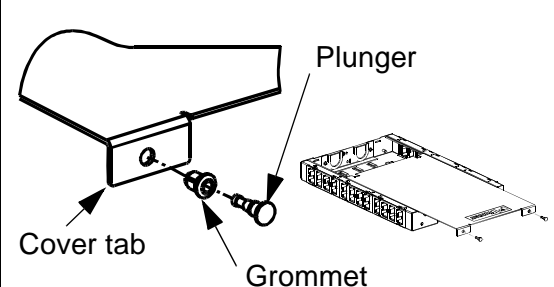
2.1



2.2

3.0 Cover Assembly

- 3.1 Install the Grommet into the locating hole in the cover tab, then push the Plunger into the Grommet until it snaps into place. The face of the Grommet remains between the outside face of the tab and the plunger head.
- 3.2 To install the cover, slide the cover into channel and push back until the tabs engage, then push in both Plungers to secure the cover. To remove the cover, pull out on both Plungers, then slide and lift cover out.
- 3.3 Apply the Port Identification Label on the bottom side of the cover.



3.0

FOR TECHNICAL SUPPORT CALL: 866-405-6654

4.0 FIBER CONVERSION KIT (Sold Separately)


CUFF-KIT

PARTS:

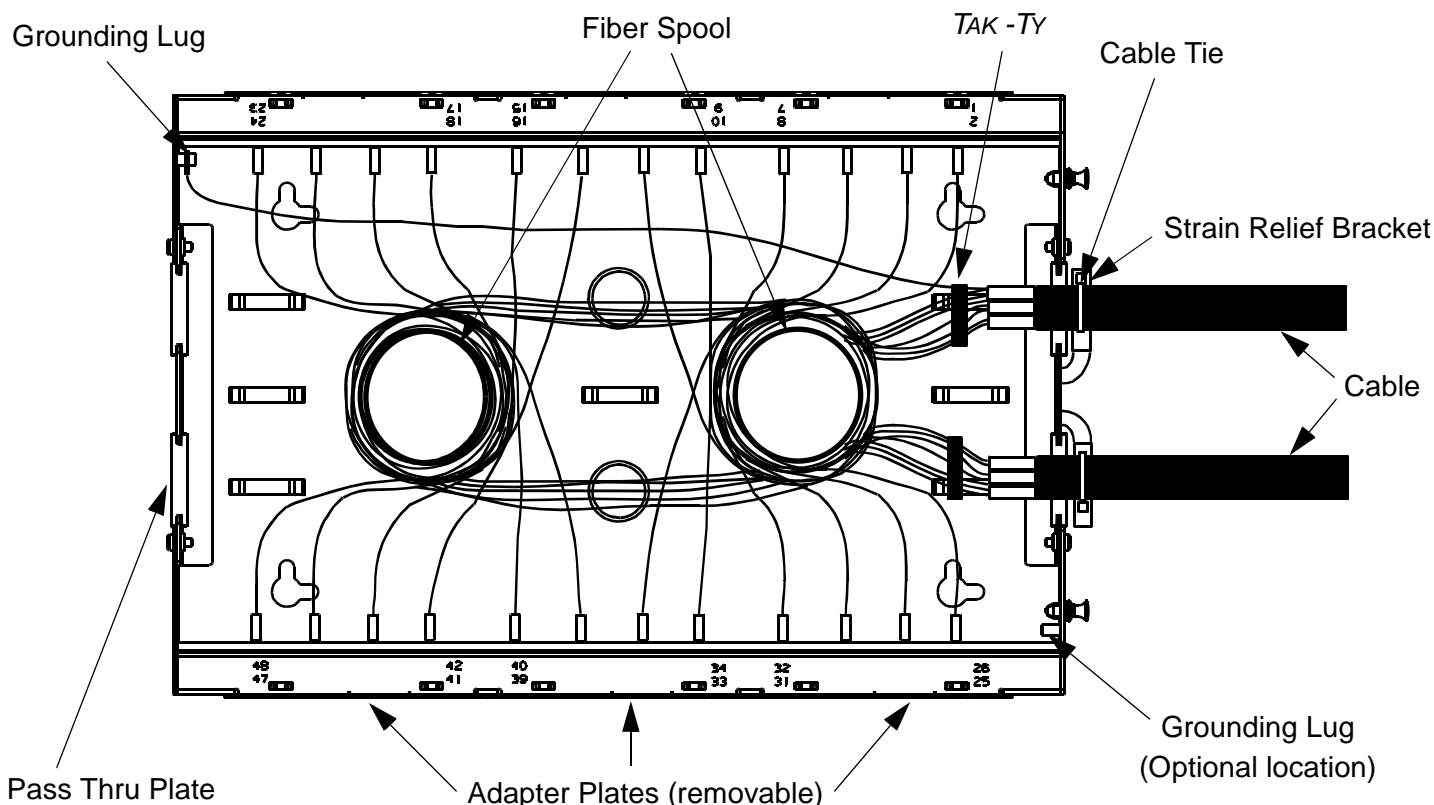
- | | |
|------------------------------------|--------------------------|
| (2) Spools with Adhesive Backing | (4) Wire Saddles |
| (2) Strain Relief Clips | (1) Fiber Caution Label |
| (1) Grounding Lug | (1) Spiral Wrap 24" long |
| (1) Fiber Laser Beam Warning Label | (4) Panduit Cable Ties |

- Notes: 1. Kit works with both CUFB48BL and CUFMB24BL.
 2. Depending on the product being assembled for use with fiber, some kit components may be left over.

5.0 Installation of Fiber Cable

- 5.1 Install (2) Pass Thru Plates into the box.
- 5.2 Bring (1) meter of buffered fiber into the box. Strip back the cable jacket. Secure the cable to the strain relief with the cable tie provided. The cable can enter from either side of the box.
- 5.3 Attach the fiber to the connector. Use the spools to maintain proper bend radius for fiber slack.
- 5.4 Attach the kevlar to the Grounding Lug (either location) for strain relief. 
- 5.5 Use *TAK-TYS*™ to secure the fiber to the raised tabs in the floor of the box.

Note: Copper and fiber terminated products can be installed together in this box.



WORLDWIDE SUBSIDIARIES AND SALES OFFICES



10500 West 167th Street
 Orland Park, Illinois 60467

Technical Support: 866-405-6654
 Fax: 708-444-6993

Web site: www.panduit.com/ncg
 E-mail: netconnsupport@panduit.com