

2

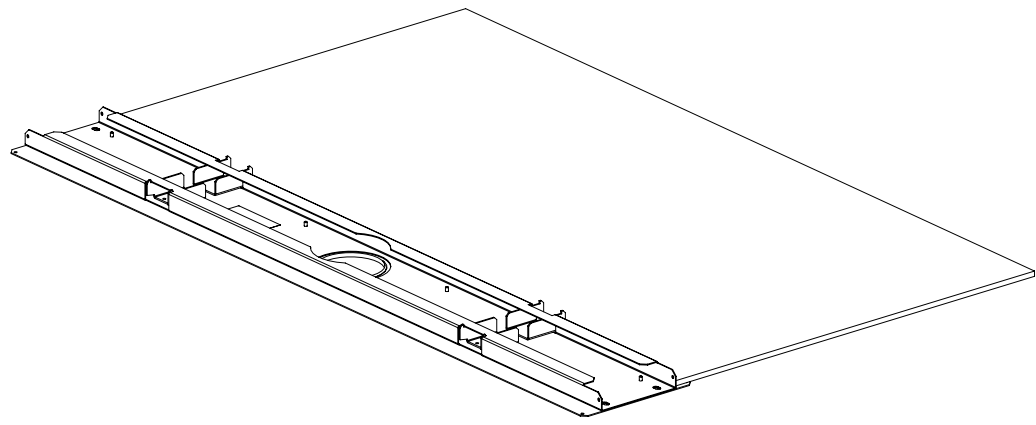
1

THIS COPY IS PROVIDED ON A RESTRICTED BASIS AND IS NOT TO BE USED IN ANY WAY DETRIMENTAL TO THE INTERESTS OF PANDUIT CORP.

PANDUIT P/N	DESCRIPTION	WEIGHT
CUSRRFS06**	NET-CONTAIN USRC-ROOF PANEL 600mm	3.0 Kg (6.8 LBS)
CUSRRFS07**	NET-CONTAIN USRC-ROOF PANEL 700mm	3.2 Kg (7.1 LBS)
CUSRRFS08**	NET-CONTAIN USRC-ROOF PANEL 800mm	3.4 Kg (7.4 LBS)

** DENOTES COLOR - ADD SUFFIX:
 "B1" FOR BLACK AND "W1" FOR WHITE.

- NOTES:
- VISIT OUR ONLINE CATALOG AT WWW.PANDUIT.COM FOR A LIST OF CURRENT PARTS APPLICABLE FOR USE WITH THIS PRODUCT.
 - PARTS SUPPLIED:
 - 1 - AISLE BEAM
 - 1 - ROOF PANEL
 - 1 - HARDWARE KIT
 - 1 - INSTRUCTION SHEET
 - PRIMARY DIMENSIONS ARE IN MILLIMETERS.



B

B



A

A

D10100DA/16

					TITLE NET-CONTAIN USRC ROOF PANEL FINISHED GOOD (CUSRRFS0***) CUSTOMER DRAWING							
					ITEM REVISION NAME 14V467AM/00			PANDUIT				
					DATASET FILE NAME 14V467AM/DC_00A							
								MATERIAL: N/A				
								DRAWING NUMBER: 14V467AM-DC				
00A	11/26/15	MEX-JAGC		RELEASED TO PRODUCTION	V09000PB			THIRD ANGLE PROJECTION				
REV	DATE	BY	CHK	APR	DESCRIPTION	ECN	DRAWN BY MEX-JAGC	DATE 11/26/15	CHK	SCALE NONE	DRAWING NUMBER SHT 1 OF 2	SIZE A

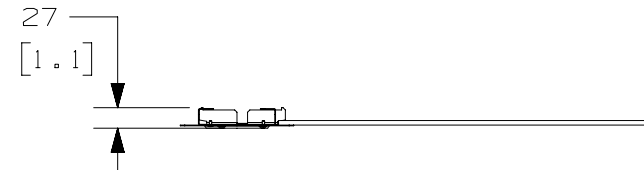
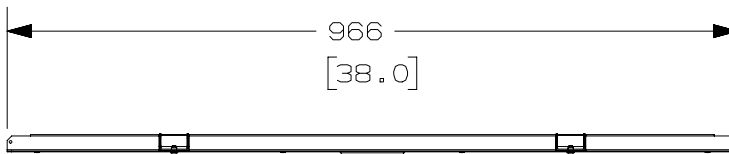
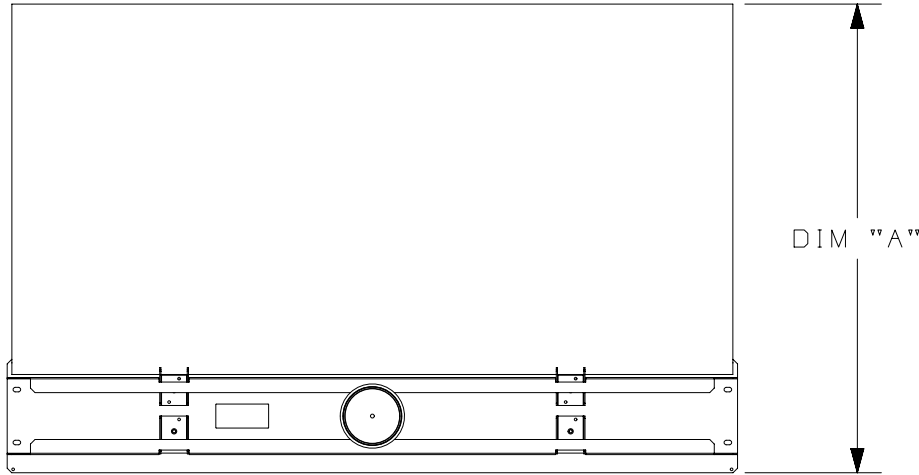
2

1

THIS COPY IS PROVIDED ON A RESTRICTED BASIS AND IS NOT TO BE USED IN ANY WAY DETRIMENTAL TO THE INTERESTS OF PANDUIT CORP.

PANDUIT P/N	DIM "A"
CUSRRFS06**	620.0 (24.41)
CUSRRFS07**	720.0 (28.35)
CUSRRFS08**	820.0 (32.28)

** DENOTES COLOR - ADD SUFFIX:
"B1" FOR BLACK AND "W1" FOR WHITE.



REV	DATE	BY	CHK	APR	DESCRIPTION	ECN
00A	11/26/15	MEX-JAGC			RELEASED TO PRODUCTION	V09000PB

TITLE		NET-CONTAIN USRC ROOF PANEL FINISHED GOOD (CUSRRFS0***)		
		CUSTOMER DRAWING		
ITEM REVISION NAME		14V467AM/00		
DATASET FILE NAME		14V467AM/DC_00A		
MATERIAL:		N/A		
DRAWING NUMBER:		14V467AM-DC		
DRAWN BY	DATE	CHK	SCALE	SIZE
MEX-JAGC	11/26/15		NONE	A
SHT 2 OF 2				

D110100DA/16