

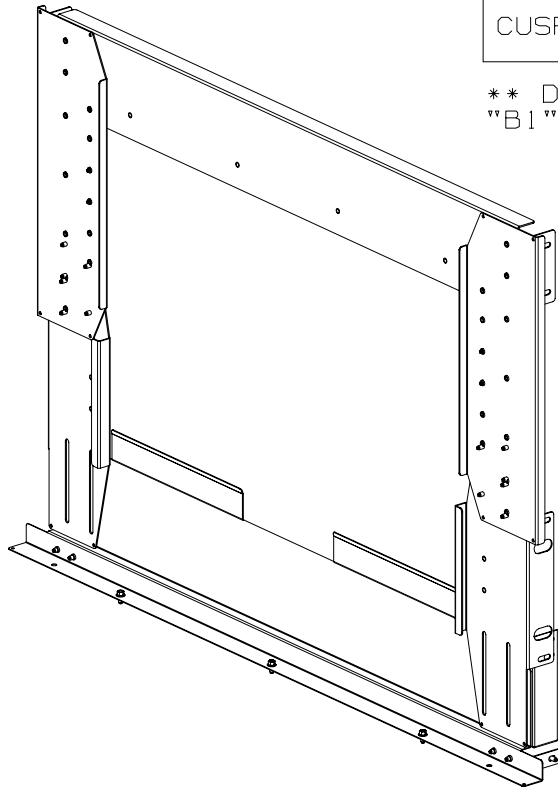
2

1

THIS COPY IS PROVIDED ON A RESTRICTED BASIS AND IS NOT TO BE USED IN ANY WAY DETRIMENTAL TO THE INTERESTS OF PANDUIT CORP.

PANDUIT P/N	DESCRIPTION	WEIGHT
CUSRVWER1626**	NET-CONTAIN-ADJUSTABLE END-OF-ROW VERTICAL WALL (16"-26")	6.94 Kg (15.3 LBS)
CUSRVWER2638**	NET-CONTAIN-ADJUSTABLE END-OF-ROW VERTICAL WALL (26"-38")	19.47 Kg (42.9 LBS)
CUSRVWER3866**	NET-CONTAIN-ADJUSTABLE END-OF-ROW VERTICAL WALL (26"-38")	27.98 Kg (61.7 LBS)

\*\* DENOTES COLOR - ADD SUFFIX:  
"B1" FOR BLACK AND "W1" FOR WHITE



## NOTES:

1. VISIT OUR ONLINE CATALOG AT  
WWW.PANDUIT.COM FOR A LIST OF CURRENT  
PARTS APPLICABLE FOR USE WITH THIS  
PRODUCT.

## 2. PARTS SUPPLIED:

- 1 - END OF ROW CROSS BEAM HALF AISLE UPPER
- 2 - END OF ROW UPPER SIDE FRAME 1626
- 2 - END OF ROW LOWER SIDE FRAME 1626
- 1 - LOWER PANEL
- 2 - CORNER SEAL
- 2 - 1200 BRACKET
- 2 - END OF ROW 200mm PANEL CLAMP
- 4 - END OF ROW 40mm PANEL CLAMP
- 1 - USRC HAC PANEL
- 1 - HARDWARE KIT (NOT SHOWN)
- 1 - INSTRUCTION SHEET

3. PRIMARY DIMENSIONS ARE IN MILLIMETERS.

REV	DATE	BY	CHK	APR	DESCRIPTION	ECN	TITLE			MATERIAL:		
							NET-CONTAIN USRC END OF ROW VERTICAL WALLS FINISHED GOOD (CUSRVWER*****)			<b>PANDUIT</b> N/A DRAWING NUMBER: 14V467NL-DC		
							CUSTOMER DRAWING					
							ITEM REVISION NAME 14V467NL/01					
							DATASET FILE NAME 14V467NL_DC/01A					
00A	1/6/16	MEX-JAGC			RELEASED TO PRODUCTION	V09000PB						
							DRAWN BY MEX-JAGC	DATE 1/6/16	CHK	SCALE NONE	SHT 1 OF 2	SIZE A

2

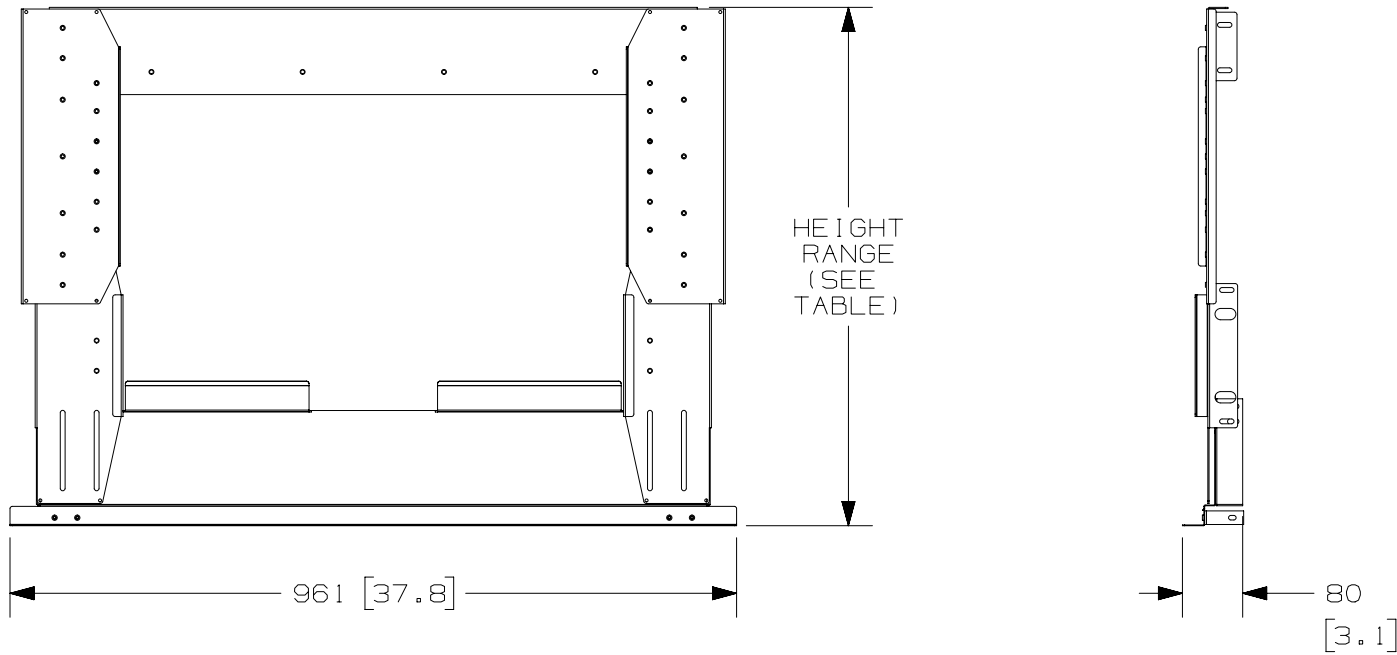
1

D10100DA/16

THIS COPY IS PROVIDED ON A RESTRICTED BASIS AND IS NOT TO BE USED IN ANY WAY DETRIMENTAL TO THE INTERESTS OF PANDUIT CORP.

PANDUIT P/N	NOMINAL HEIGHT	HEIGHT RANGE
CUSRWER1626**	406.4-660.4 (16"-26")	432.8-686.8 (17.04"-27.04")
CUSRWER2638**	660.4-965.2 (26"-38")	686.8-991.6 (27.04"-39.04")
CUSRWER3866**	965.2-1676.4 (38"-66")	991.6-1702.8 (39.04"-67.04")

\*\* DENOTES COLOR - ADD SUFFIX:  
"B1" FOR BLACK AND "W1" FOR WHITE



REV	DATE	BY	CHK	APR	DESCRIPTION	ECN
00A	1/6/16	MEX-JAGC			SEE SHEET 1 OF 2 FOR REVISIONS	V09000PB

TITLE <b>NET-CONTAIN USRC END OF ROW VERTICAL WALLS FINISHED GOOD (CUSRWER*****)</b>						
CUSTOMER DRAWING						
ITEM REVISION NAME 14V467NL/01				<b>PANDUIT</b>		
DATASET FILE NAME 14V467NL_DC/01A						
				MATERIAL: N/A		
				DRAWING NUMBER: 14V467NL-DC		
DRAWN BY MEX-JAGC	DATE 1/6/16	CHK	SCALE NONE	SHT 2 OF 2		SIZE A

D101000DA/16