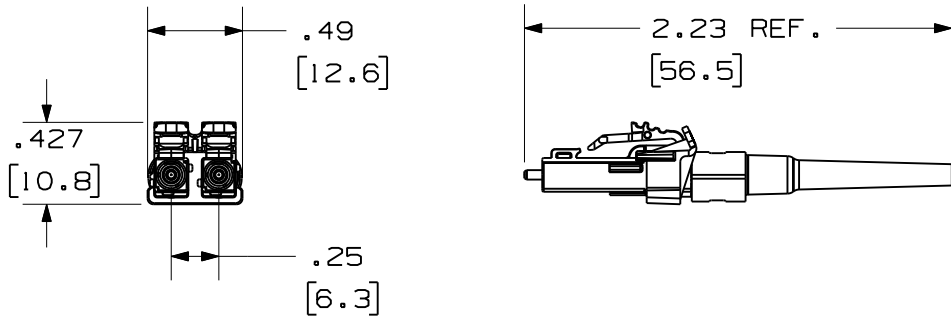


THIS COPY IS PROVIDED ON A RESTRICTED BASIS AND IS NOT TO BE USED IN ANY WAY DETRIMENTAL TO THE INTERESTS OF PANDUIT CORP.

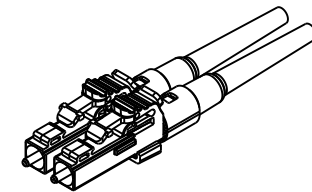
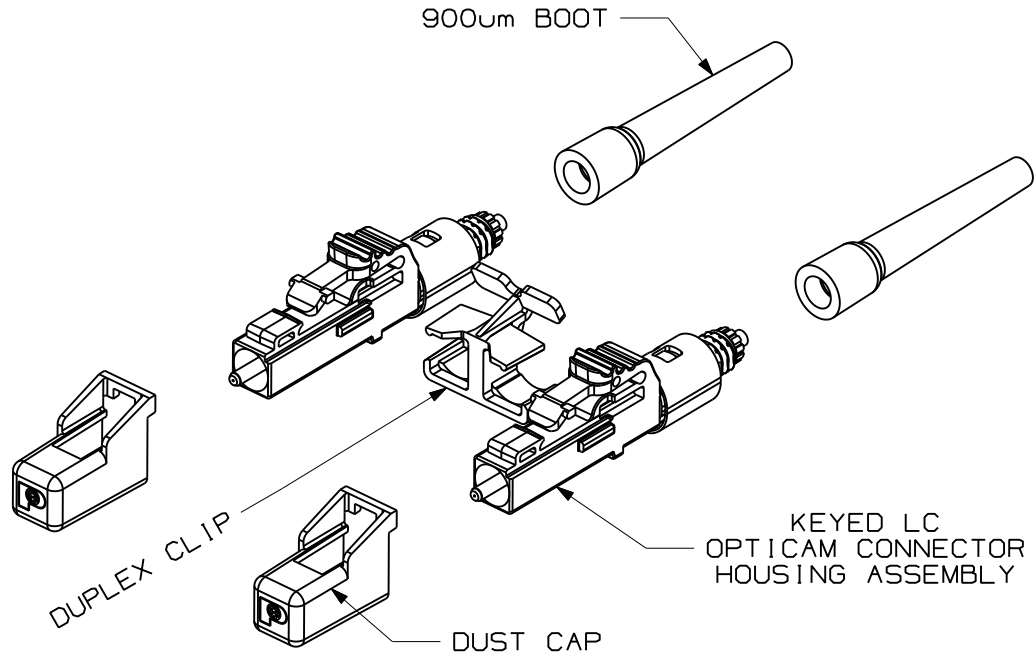


PANDUIT PART NUMBER	FIBER TYPE
FLCDMC5*1**2	50/125um MULTIMODE
FLCDMC6*1**2	62.5/125um MULTIMODE
FLCDMCX*1**2	50/125um OM3 MULTIMODE
FLCDSC*1**2	9/125um SINGLEMODE

*1 ALPHA KEY DESIGNATOR (SEE TABLE 2, SHEET 2)
 **2 KEY COLOR DESIGNATOR (SEE TABLE 2, SHEET 2)

NOTES:

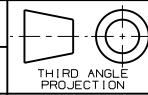
- SEE CATALOG FOR ADDITIONAL PART NUMBER SUFFIXES TO INDICATE COLOR AND/OR PACKAGE QUANTITY.
- ACCEPTS 50/125um, 62.5/125um, 50/125 OM3 MULTIMODE OR 9/125um SINGLEMODE 900um BUFFERED GLASS OPTICAL FIBER.
- FULLY COMPLIES WITH THE FIBER OPTIC CONNECTOR PERFORMANCE REQUIREMENTS AS SPECIFIED BY TIA/EIA-568-B.3.
- MATERIAL:
 BODY/HARDWARE: PLASTIC
 BOOT: THERMOPLASTIC RUBBER
 FERRULE: ZIRCONIA CERAMIC
- ALL MATERIALS AND COMPONENTS USED MEET THE MATERIAL RESTRICTIONS OF RoHS, (EUROPEAN DIRECTIVE 2002/95/EC ON THE RESTRICTION OF HAZARDOUS SUBSTANCES) AS PROPOSED BY THE RoHS TECHNICAL ADAPTATION COMMITTEE.
- DIMENSIONS IN BRACKETS ARE METRIC [mm].



KEYED OPTICAM DUPLEX LC CONNECTOR
 CUSTOMER DRAWING



PANDUIT™
 CORP.
 TINLEY PARK, ILL 60477



ALL DIMENSIONS ARE GIVEN IN INCHES UNLESS OTHERWISE SPECIFIED.
 DIMENSIONAL TOLERANCES ARE:
 (.X) ±.03 | (.XXX) ±.010 | (.3) ±.005 | ANGLES

DRAWING FILENAME: MO2759AB_DC_DUP_00A.prt
 SCALE: NONE

DRAWN BY: MC

REVIEW DRAWING NUMBERS:

PART NO.: SEE SHEET 2

REV	DATE	BY	CHK	DESCRIPTION	ECN	R	CUST	SUP	OTH
R	12-11-07	MC		RELEASED TO PRODUCTION	02759-10				

DATE: 12-11-07

CHK'D:


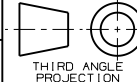
DRAWING NO.: 02759-10 (SHT. 1 of 2)

SIZE: A

THIS COPY IS PROVIDED ON A RESTRICTED BASIS AND IS NOT TO BE USED IN ANY WAY DETRIMENTAL TO THE INTERESTS OF PANDUIT CORP.

TABLE 2 - KEYED LC CONNECTOR PART NUMBER AND HOUSING KEY CONFIGURATIONS					
KEY: -A-	KEY: -B-	KEY: -C-	KEY: -D-	KEY: -E-	KEY: -F-
MULTIMODE CONNECTOR P/N: FLCDMC*ABL	MULTIMODE CONNECTOR P/N: FLCDMC*BRD	MULTIMODE CONNECTOR P/N: FLCDMC*CGR	MULTIMODE CONNECTOR P/N: FLCDMC*DYL	MULTIMODE CONNECTOR P/N: FLCDMC*EOR	MULTIMODE CONNECTOR P/N: FLCDMC*FDB
SINGLEMODE CONNECTOR P/N: FLCDSCABL	SINGLEMODE CONNECTOR P/N: FLCDSCBRD	SINGLEMODE CONNECTOR P/N: FLCDSCCGR	SINGLEMODE CONNECTOR P/N: FLCDSCDYL	SINGLEMODE CONNECTOR P/N: FLCDSCCOR	SINGLEMODE CONNECTOR P/N: FLCDSCFDB
COLOR: BLACK	COLOR: RED	COLOR: GREEN	COLOR: YELLOW	COLOR: ORANGE	COLOR: DARK BLUE

* - DESIGNATES MULTIMODE FIBER TYPE (SEE TABLE 1, SHEET 1)

										KEYED OPTICAM DUPLEX LC CONNECTOR CUSTOMER DRAWING	
										 PANDUIT ™ CORP. TINLEY PARK, ILL 60477	
										 THIRD ANGLE PROJECTION	
										ALL DIMENSIONS ARE GIVEN IN INCHES UNLESS OTHERWISE SPECIFIED. DIMENSIONAL TOLERANCES ARE: (.X) ±.03 (.XXX) ±.010 (.3) ±.015 (.XX) ±.03 (.8) ±.015 ANGLES	
										DRAWING FILENAME MO2759AB_DC_DUP_00A.prt	
										SCALE NONE	
										PART NO. SEE TABLE 2	
										DRAWING NO. 02759-10 (SHT. 2 of 2)	
										SIZE A	
REV	DATE	BY	CHK	DESCRIPTION	ECN	R	CUST	SUP	OTH	DRAWN BY MC	REVIEW DRAWING NUMBERS
R	12-11-07	MC		RELEASED TO PRODUCTION	02759-10					DATE 12-11-07	CHECK'D