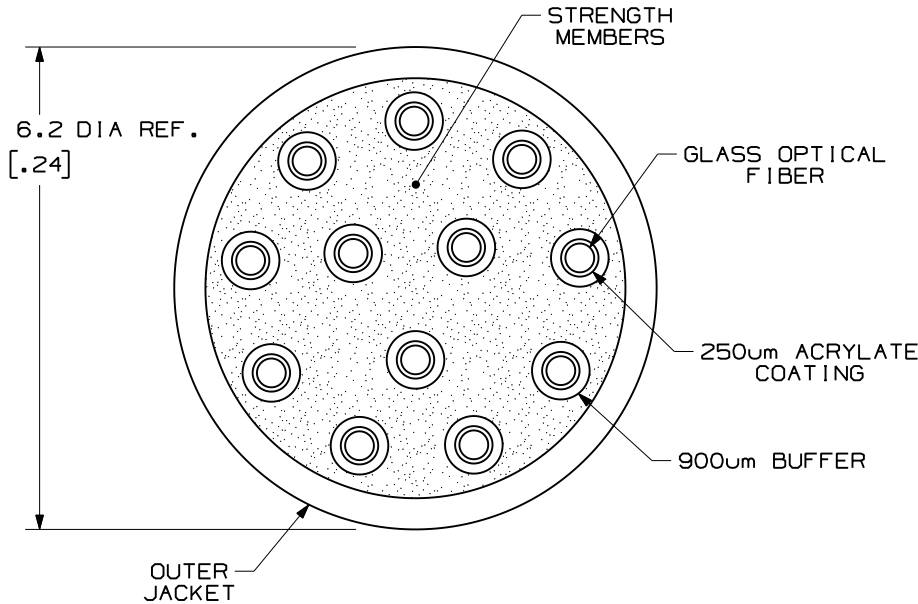


THIS COPY IS PROVIDED ON A RESTRICTED BASIS AND IS NOT TO BE USED IN ANY WAY DETRIMENTAL TO THE INTERESTS OF PANDUIT CORP.

NOTES:

1. DIAMETER DIMENSION, SHOWN FOR REFERENCE ONLY.
2. DIMENSIONS IN BRACKETS [] ARE ENGLISH.
3. FOR PART NUMBERS AND LENGTHS OTHER THAN THOSE SHOWN, CONTACT YOUR PANDUIT SALES PERSON.
4. ALL MATERIALS AND COMPONENTS USED MUST MEET THE MATERIAL RESTRICTIONS OF RoHS (EUROPEAN DIRECTIVE 2002/95/EC ON THE RESTRICTION OF HAZARDOUS SUBSTANCES) AS PROPOSED BY THE RoHS TECHNICAL ADAPTATION COMMITTEE.


PART NUMBER	FIBER TYPE	JACKET RATING	JACKET COLOR
FLDR912Y	SINGLEMODE 9/125um	RISER	YELLOW
FLDL912Y		LSZH	
FLDR612Y	MULTIMODE 62.5/125um	RISER	ORANGE
FLDL612Y		LSZH	
FLDR512Y	MULTIMODE 50/125um	RISER	ORANGE
FLDL512Y		LSZH	
FLDRX12Y	MULTIMODE 50/125um OM3	RISER	AQUA
FLDLX12Y		LSZH	
FLDRV12Y	MULTIMODE 50/125um OM3 150 METER LONG REACH	RISER	AQUA
FLDLV12Y		LSZH	
FLDRZ12Y	MULTIMODE 50/125um OM4	RISER	AQUA
FLDLZ12Y		LSZH	



TECHNICAL SPECIFICATIONS		
MAXIMUM LOSS - MULTIMODE 3.5 dB/KM @ 850nm 1.5 dB/KM @ 1300nm	BEND RADIUS	
	INSTALLATION 62mm [2.4"]	LONG TERM 31mm [1.2"]
MAXIMUM LOSS - SINGLEMODE .75 dB/KM @ 1310nm .75 dB/KM @ 1550nm	TENSILE LOAD	
	INSTALLATION 660 N [150 lbf]	LONG TERM 200 N [45 lbf]
TEMPERATURE		
INSTALLATION/OPERATION		STORAGE
0° C TO +50° C 32° F TO +158° F		-40° C TO +75° C -40° F TO +167° F

REV	DATE	BY	CHK	DESCRIPTION	ECN	R	CUST	SUP	OTH
05	12-10-10	EFK		RELEASED TO PRODUCTION	02055-80				

OPTI-CORE 12 FIBER DISTRIBUTION CABLE
WITH 900um TIGHT BUFFER
CUSTOMER DRAWING



PANDUIT™
CORP.
TINLEY PARK, ILL 60477

DRAWING FILENAME
M02055CE_DC_12/02A

SCALE
NONE

PART NO.
FLDR*12Y
FLDL*12Y

DRAWING NO.
02055-80

SIZE
A

ALL DIMENSIONS ARE GIVEN IN INCHES, UNLESS OTHERWISE SPECIFIED.
DIMENSIONAL TOLERANCES ARE:
(.X) (.XXX)±0.3 (.010)
(.XX)±0.8 (.03) ANGLES

THIRD ANGLE PROJECTION

DRAWN BY: MC
DATE: 07-27-05
CHK'D: WMA

REVIEW DRAWING NUMBERS