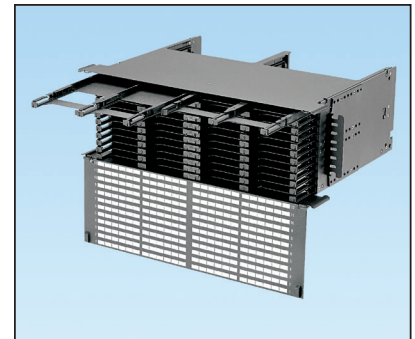
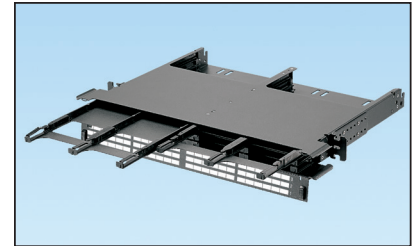


## specifications

The enclosure houses, organizes, manages, and protects fiber optic cable, terminations, splices, connectors and patch cords. It accommodates all HD Flex™ cassettes, fiber adapter panels (FAP), trunk cables, connectors and patch cords. It provides front access with drawers that slide out into two locked positions, regardless of how many enclosures are stacked together. The enclosure tray allows half of the tray to operate independently, an ideal option for redundant networks. The enclosure allows cassettes and FAPs to be installed by dropping them into the front of the enclosure tray or sliding them into the rear of the enclosure tray which allows each individual cassette/FAP to be removed with minimal disruption to other cassettes/FAPs. The enclosure is constructed of steel material. Enclosures are ordered in either 4-port, 6-port, or 12-port cassettes configurations. Each enclosure is able to be adapted to accommodate all three different types of cassettes by adding/removing dividing rails.



## technical information

<b>Mounting:</b>	Integral mounting flange for installation in 19" wide EIA-310 racks
<b>Material:</b>	Steel and plastic

## key features and benefits

<b>Modular design accepts up to 12 HD Flex™ Fiber Cassettes or Fiber Adapter Panels per rack unit</b>	Provides higher patch field density in fewer rack units saving valuable rack space
<b>Compatible with all HD Flex™ Fiber Cassettes and Fiber Adapter Panels</b>	Provides versatility and flexibility with a fully modular solution for a variety of pre-terminated installations
<b>Rack/Cabinet Rail Mounting Cable Management Bracket</b>	Provides template for additional mounting of cables, moving cable from back of enclosure to side of enclosure resulting in easy access to connections for improved serviceability
<b>Front and Rear Accessible Enclosure Tray</b>	Allows access to connections from front or rear of rack/cabinet facilitating easy moves, adds and changes without disruption of network connections
<b>Front Drop In and Rear Slide Out Mounting of Cassettes and Fiber Adapter Panels</b>	Allows access to cassettes without fully sliding out cable management plate
<b>Split Enclosure Tray</b>	Allows each half of tray to operate independently providing improved reliability and serviceability of redundant network connections
<b>Multi-positional Enclosure Tray</b>	Allows tray to be locked in two extended positions resulting in improved access when patching and maintaining network connections
<b>Convertible among 4-port, 6-port, and 12-port Cassettes and Fiber Adapter Panels</b>	Accommodates current and future optical connectivity options, duplex and parallel fiber

## applications

HD Flex™ Fiber Optic Enclosures provide a system for managing fiber terminations, connections, and patching in all types of applications. The enclosures are a component of the HD Flex™ Fiber Cabling System.

They are ideal for fast, flexible and reliable patch field solutions within main, horizontal and/or equipment distribution areas (MDA, HDA and EDA).

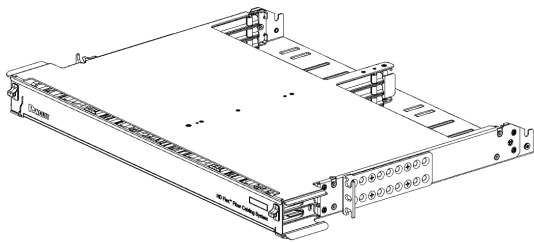
For more information about matching parts, please refer to HD-Flex™ Fiber Cabling System Ordering Guide, FBCB29--SA-ENG.

# HD Flex™ Fiber Enclosures

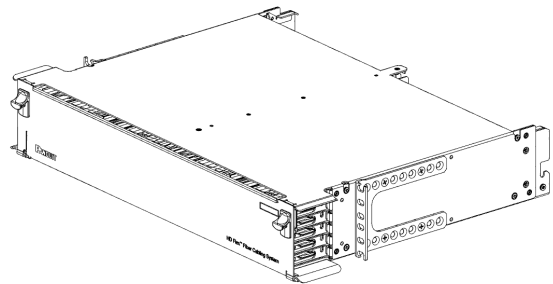
## fiber capacity

Description	Enclosure		
	1 RU	2 RU	4 RU
12F MPO to 6 Duplex LC	144	288	576
24F MPO to 12 Duplex LC	144	288	576
4-to-1 Breakout	96	192	384
12-to-3 Breakout	144	288	576
6 Port 12F MPO FAP	864	1728	3456
6 Port 24F MPO FAP	1728	3456	6912

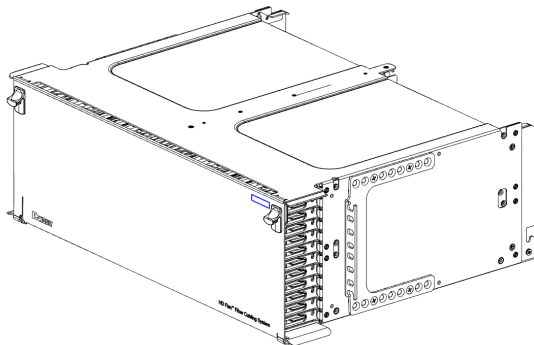
For dimensions, please go to [www.panduit.com/hdflex](http://www.panduit.com/hdflex) for the part drawings.



**FLEX1U06**



**FLEX2U06**



**FLEX4U06**

### WORLDWIDE SUBSIDIARIES AND SALES OFFICES

PANDUIT US/CANADA  
Phone: 800.777.3300

PANDUIT EUROPE LTD.  
London, UK  
cs-emea@panduit.com  
Phone: 44.20.8601.7200

PANDUIT SINGAPORE PTE. LTD.  
Republic of Singapore  
cs-ap@panduit.com  
Phone: 65.6305.7575

PANDUIT JAPAN  
Tokyo, Japan  
cs-japan@panduit.com  
Phone: 81.3.6863.6000

PANDUIT LATIN AMERICA  
Guadalajara, Mexico  
cs-la@panduit.com  
Phone: 52.33.3777.6000

PANDUIT AUSTRALIA PTY. LTD.  
Victoria, Australia  
cs-aus@panduit.com  
Phone: 61.3.9794.9020

For a copy of Panduit product warranties, log on to [www.panduit.com/warranty](http://www.panduit.com/warranty)

For more information

Visit us at [www.panduit.com](http://www.panduit.com)

Contact Customer Service by email: [cs@panduit.com](mailto:cs@panduit.com)  
or by phone: 800.777.3300

**PANDUIT**®

© 2017 Panduit Corp.  
ALL RIGHTS RESERVED.  
FBSP92--WW-ENG  
6/2017