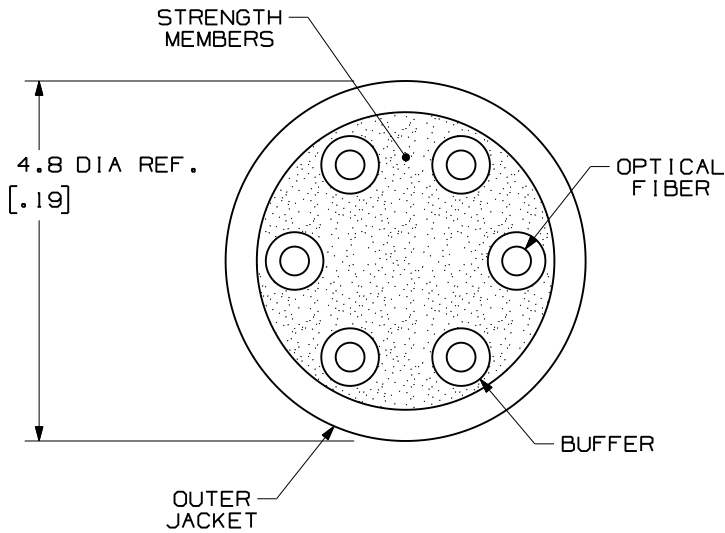


THIS COPY IS PROVIDED ON A RESTRICTED BASIS AND IS NOT TO BE USED IN ANY WAY DETRIMENTAL TO THE INTERESTS OF PANDUIT CORP.

NOTES:

1. DIAMETER DIMENSION, SHOWN FOR REFERENCE ONLY.
2. DIMENSIONS IN BRACKETS [] ARE ENGLISH.
3. FOR PART NUMBERS AND LENGTHS OTHER THAN THOSE SHOWN, CONTACT YOUR PANDUIT SALES PERSON.
4. ALL MATERIALS AND COMPONENTS USED MUST MEET THE MATERIAL RESTRICTIONS OF RoHS (EUROPEAN DIRECTIVE 2002/95/EC ON THE RESTRICTION OF HAZARDOUS SUBSTANCES) AS PROPOSED BY THE RoHS TECHNICAL ADAPTATION COMMITTEE.



PART NUMBER	FIBER TYPE	JACKET RATING	JACKET COLOR
FLDR906Y	SINGLEMODE 9/125um	RISER	YELLOW
FLDL906Y		LSZH	
FLDR606Y	MULTIMODE 62.5/125um	RISER	ORANGE
FLDL606Y		LSZH	
FLDR506Y	MULTIMODE 50/125um	RISER	AQUA
FLDL506Y		LSZH	
FLDRX06Y	MULTIMODE 50/125um OM3	RISER	AQUA
FLDLX06Y		LSZH	
FLDRV06Y	MULTIMODE 50/125um OM3 150 METER LONG REACH	RISER	AQUA
FLDLV06Y		LSZH	
FLDRZ06Y	MULTIMODE 50/125um OM4	RISER	AQUA
FLDLZ06Y		LSZH	

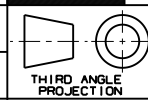
TECHNICAL SPECIFICATIONS		
MAXIMUM LOSS - MULTIMODE 3.5 dB/KM @ 850nm 1.5 dB/KM @ 1300nm	BEND RADIUS	
	INSTALLATION 96mm [3.78"]	LONG TERM 48mm [1.89"]
MAXIMUM LOSS - SINGLEMODE .75 dB/KM @ 1310nm .75 dB/KM @ 1550nm	TENSILE LOAD	
	INSTALLATION 660 N [150 lbf]	LONG TERM 200 N [45 lbf]
TEMPERATURE		
INSTALLATION/OPERATION		STORAGE
0° C TO +50° C 32° F TO +158° F		-40° C TO +75° C -40° F TO +167° F

REV	DATE	BY	CHK	DESCRIPTION	ECN	R	CUST	SUP	OTH
05	10-28-09	EFK		RELEASED TO PRODUCTION	02055-79				

OPTI-CORE 6 FIBER DISTRIBUTION CABLE
WITH 900um TIGHT BUFFER
CUSTOMER DRAWING



PANDUIT™
CORP.
TINLEY PARK, ILL 60477



ALL DIMENSIONS ARE GIVEN IN INCHES,
UNLESS OTHERWISE SPECIFIED,
DIMENSIONAL TOLERANCES ARE:
(.X) (.XXX) ± 0.3 (.010)
(.XX) ± 0.8 (.03) ANGLES

DRAWING FILENAME
M02055CE_DC_06/01D
SCALE
NONE

DRAWN BY
MC
DATE
07-27-05
CHK'D
WMA

REVIEW DRAWING NUMBERS

PART NO. FLDR*06Y
FLDL*06Y
DRAWING NO. 02055-79
SIZE A