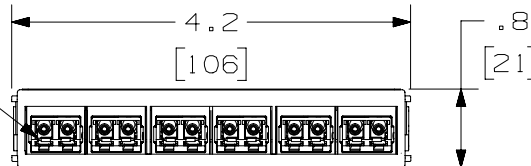
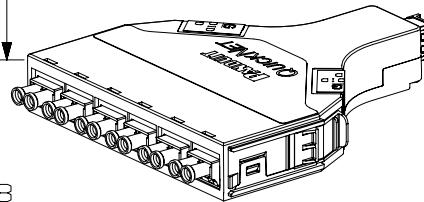
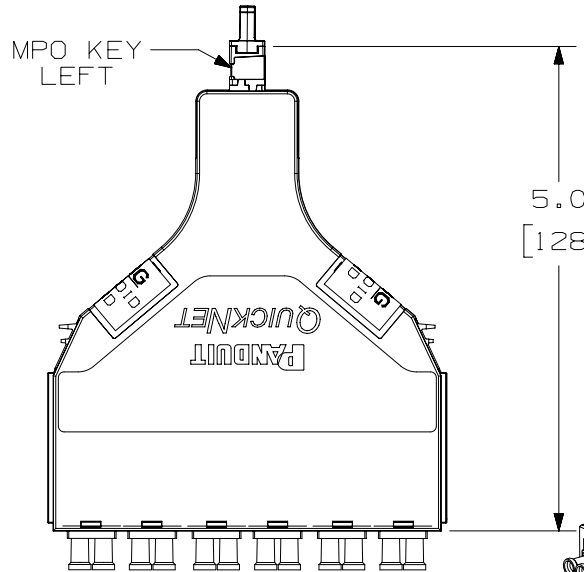


THIS COPY IS PROVIDED ON A RESTRICTED BASIS AND IS NOT TO BE USED IN ANY WAY DETRIMENTAL TO THE INTERESTS OF PANDUIT CORP.

2

1

FIBER POSITION
1 2 3 4 5 6 7 8 9 10 11 12



LC CONNECTOR LATCH DOWN

FIBER POSITION

2 1 4 3 6 5 8 7 10 9 12 11

METHOD A 12F - CASSETTE (AS)												
MPO END / LC END	FIBER POSITION FROM MPO END TO LC END											
MPO POSITION	1	2	3	4	5	6	7	8	9	10	11	12
LC POSITION	1	2	3	4	5	6	7	8	9	10	11	12

PANDUIT PART NUMBER	FIBER TYPE	PERFORMANCE LEVEL	ADAPTER COLOR (SPLIT SLEEVE)
FQ6N-12-10AS	OM1	STANDARD LOSS	ELECTRIC IVORY (PHOS BRONZE)
FQ5N-12-10AS	OM2	STANDARD LOSS	BLACK (PHOS BRONZE)
FQXN-12-10AS	OM3	STANDARD LOSS	AQUA (ZIRCONIA)
FQXO-12-10AS	OM3	OPTIMIZED LOSS	AQUA (ZIRCONIA)
FQZN-12-10AS	OM4	STANDARD LOSS	AQUA (ZIRCONIA)
FQZO-12-10AS	OM4	OPTIMIZED LOSS	AQUA (ZIRCONIA)
FQSA-12-10AS	OM4+ (SIG CORE)	ULTRA LOW LOSS	AQUA (ZIRCONIA)
FQ9N-12-10AS	OS1/OS2	STANDARD LOSS	BLUE (ZIRCONIA)

NOTES:

- SEE CURRENT CATALOG FOR PART NUMBER SUFFIXES TO INDICATE COLOR AND/OR PACKAGE QUANTITIES.
- SEE CATALOG FOR A COMPLETE LIST OF PARTS APPLICABLE FOR USE WITH THIS PRODUCT.
- MATERIALS:
A. MODULE MATERIAL: PLASTIC
B. ADAPTER: COMPOSITE PLASTIC
- CASSETTE MODULE WEIGHT:
2.4oz (69.0g)
- DIMENSIONS IN BRACKETS COMPLY WITH ANSI/TIA-568-C.O. FOR POLARITY DETAILS AND EXAMPLE OF A BASIC LINK.

PART NUMBER		FQ** - 12-10AS	
TITLE			
QUICKNET SFQ SERIES CASSETTE, 12 FIBER DUPLEX LC TO MPO CASSETTE METHOD A			
CUSTOMER DRAWING			
ITEM REVISION NAME		M02947ZE/04	
DATASET FILE NAME		M02947ZE_DC/04A	
UNLESS OTHERWISE SPECIFIED, DIMENSIONAL TOLERANCES ARE: IN (mm)		MATERIAL:	
.X ±		.XXX ±	
.XX ±		ANGLES ±	
DRAWING NUMBER:		02947-39	
DRAWN BY		SCALE	
EFK		NONE	
DATE		SHT 1 OF 1	
07-17-09		A	
CHK		SIZE	
MTV		A	

REV	DATE	BY	CHK	APR	DESCRIPTION	ECN
4	11/18/15	JSP	WJM	RAR	A. UPDATED DRAWING TITLE BLOCK.; B. ADDED CHART.	02947-39

2

1

D10100DA/14