

QuickNet™ SFQ Series MTP* Fiber Optic Cassettes

part number configurator

Example: FQXO-12-10AS = Fiber, QuickNet™, OM3 10 GbE, optimized cassette, 12-fiber with duplex LC adapter and standard Method A polarity.

Character	1	2	3	4	5	6	7	8	9	10	11	12
Example	F	Q	X	O	-	1	2	-	1	0	A	S

1 – Fiber Product

F = Fiber

2 – Product Type

Q = QuickNet™

3 – Fiber Type

5 = OM2 Fiber (50/125µm); Available with standard loss only

6 = OM1 Fiber (62.5/125µm); Available with standard loss only

9 = OS1/OS2 Fiber; Available with standard loss only

X = OM3 Fiber (10Gig 50/125µm)

Z = OM4 Fiber (10Gig 50/125µm)

S = Signature Core OM+ Fiber; Available with ultra low loss only and in 12-fiber LC connectivity

4 – Fiber Type

N = Standard Loss (0.75dB Link Loss)

O = Optimized Cassette (0.5dB Link Loss)

A = Ultra Low Loss (0.35dB Link Loss); only available with Signature Core™ OM4 + Fiber and in 12-fiber LC Connectivity

5 – Dash

6, 7 – Fiber Count

06 = 6-fiber total

08 = 8-fiber total

12 = 12-fiber total

8 – Dash

9, 10 – Adapter Type

03 = Duplex SC Adapter (6-fiber only)

10 = Duplex LC Adapter (8 or 12-fiber only)

11, 12 – Polarity

AS = Method A, standard

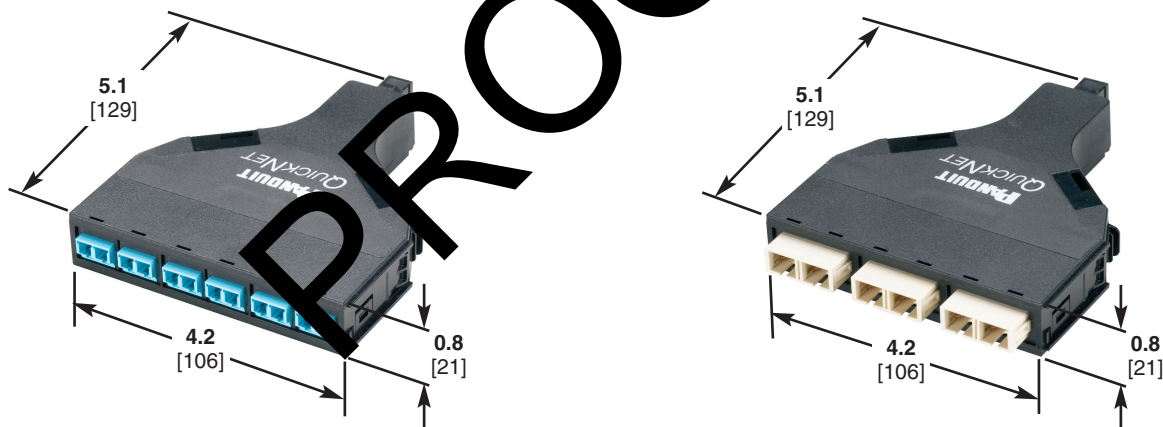
AF = Modified Method A, pair-flipped

B1 = Method B, B1 (1-1 array)

B2 = Method B, B2 (1-12 array)

Note: AS and AF used as a pair in a two cassette method A link.
B1 and B2 used as a pair in a two cassette method B link.

QuickNet™ SFQ Series MTP* Fiber Optic Cassettes



Notes:

- Reference TIA-568-C.0 for details on Method A and Method B Polarities.
- Method B Cassettes are available upon request. Please contact Panduit for details.

*MTP is a registered trademark of US Conec Ltd.

Dimensions are in inches. [Dimensions in brackets are metric].

WORLDWIDE SUBSIDIARIES AND SALES OFFICES

PANDUIT CANADA
Markham, Ontario
cs-cdn@panduit.com
Phone: 800.777.3300

PANDUIT EUROPE LTD.
London, UK
cs-emea@panduit.com
Phone: 44.20.8601.7200

PANDUIT SINGAPORE PTE. LTD.
Republic of Singapore
cs-ap@panduit.com
Phone: 65.6305.7575

PANDUIT JAPAN
Tokyo, Japan
cs-japan@panduit.com
Phone: 81.3.6863.6000

PANDUIT LATIN AMERICA
Guadalajara, Mexico
cs-la@panduit.com
Phone: 52.33.3777.6000

PANDUIT AUSTRALIA PTY. LTD.
Victoria, Australia
cs-aus@panduit.com
Phone: 61.3.9794.9020

For a copy of Panduit product warranties, log on to www.panduit.com/warranty

For more information

Visit us at www.panduit.com

Contact Customer Service by email: cs@panduit.com
or by phone: 800.777.3300

PANDUIT®

©2014 Panduit Corp.
ALL RIGHTS RESERVED.
FBSP64--WW-ENG
7/2014