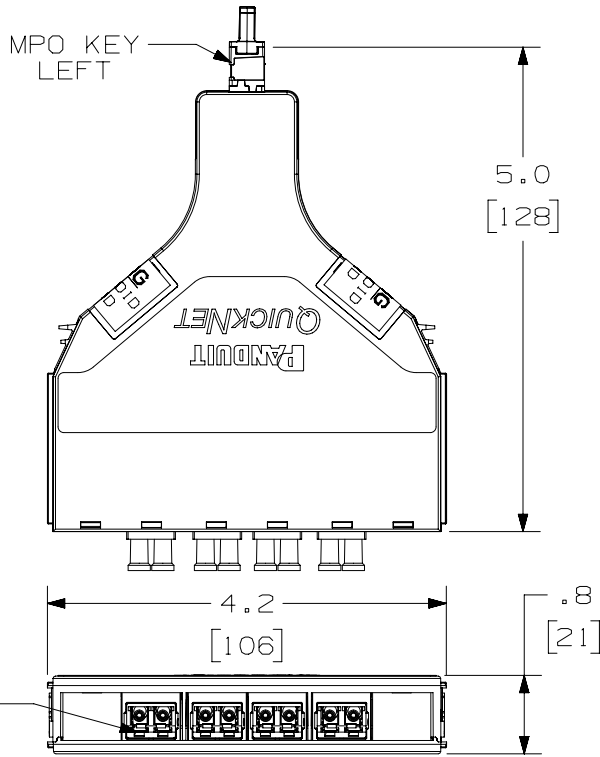


THIS COPY IS PROVIDED ON A RESTRICTED BASIS AND IS NOT TO BE USED IN ANY WAY DETRIMENTAL TO THE INTERESTS OF PANDUIT CORP.

FIBER POSITION
X X 3 4 5 6 7 8 9 10 X X



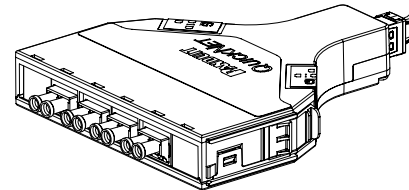
FIBER POSITION X X 4 3 6 5 8 7 10 9 X X

METHOD A 8F - CASSETTE (AS)												
MPO END / LC END	FIBER POSITION FROM MPO END TO LC END											
MPO	X	X	3	4	5	6	7	8	9	10	X	X
LC	N/A	N/A	3	4	5	6	7	8	9	10	N/A	N/A

PANDUIT PART NUMBER	FIBER TYPE	PERFORMANCE LEVEL	ADAPTER COLOR (SPLIT SLEEVE)
FQ6N-08-10AS	OM1	STANDARD LOSS	ELECTRIC IVORY (PHOS BRONZE)
FQ5N-08-10AS	OM2	STANDARD LOSS	BLACK (PHOS BRONZE)
FQXN-08-10AS	OM3	STANDARD LOSS	AQUA (ZIRCONIA)
FQX0-08-10AS	OM3	OPTIMIZED LOSS	AQUA (ZIRCONIA)
FQZN-08-10AS	OM4	STANDARD LOSS	AQUA (ZIRCONIA)
FQZ0-08-10AS	OM4	OPTIMIZED LOSS	AQUA (ZIRCONIA)
FQSA-08-10AS	OM4+ (SIG CORE)	ULTRA LOW LOSS	AQUA (ZIRCONIA)
FQ9N-08-10AS	OS1/OS2	STANDARD LOSS	BLUE (ZIRCONIA)

NOTES:

- SEE CURRENT CATALOG FOR PART NUMBER SUFFIXES TO INDICATE COLOR AND/OR PACKAGE QUANTITIES.
- SEE CATALOG FOR A COMPLETE LIST OF PARTS APPLICABLE FOR USE WITH THIS PRODUCT.
- MATERIALS:
A. MODULE MATERIAL: PLASTIC
B. ADAPTER: COMPOSITE PLASTIC
- CASSETTE MODULE WEIGHT:
2.4oz (69.0g)
- DIMENSIONS IN BRACKETS ARE METRIC
- METHOD A CASSETTES COMPLY WITH ANSI/TIA-568-C.0. SEE ANSI/TIA-568-C.0. FOR POLARITY DETAILS AND EXAMPLE OF A BASIC LINK.



PART NUMBER		FQ** - 08 - 10AS	
TITLE			
QUICKNET SFQ SERIES CASSETTE, 8 FIBER DUPLEX LC TO MPO CASSETTE METHOD A			
CUSTOMER DRAWING			
ITEM REVISION NAME		M02947ZB/03	
DATASET FILE NAME		M02947ZB_DC/03A	
UNLESS OTHERWISE SPECIFIED, DIMENSIONAL TOLERANCES ARE: IN (mm)		MATERIAL:	
.X ± .XX ±		.XXX ± ANGLES ±	
DRAWN BY		DRAWING NUMBER:	
EFK		02947-38	
DATE		SHT 1 OF 1	
07-16-09		A	
CHK		SCALE	
WMA		NONE	

REV	DATE	BY	CHK	APR	DESCRIPTION	ECN
3	11/19/15	JSP	WJM	RAR	B. CORRECTED LOCATION OF LC CONNECTORS IN CASSETTE. A. UPDATED DRAWING TITLE BLOCK.	02947-38

D101000DA/14