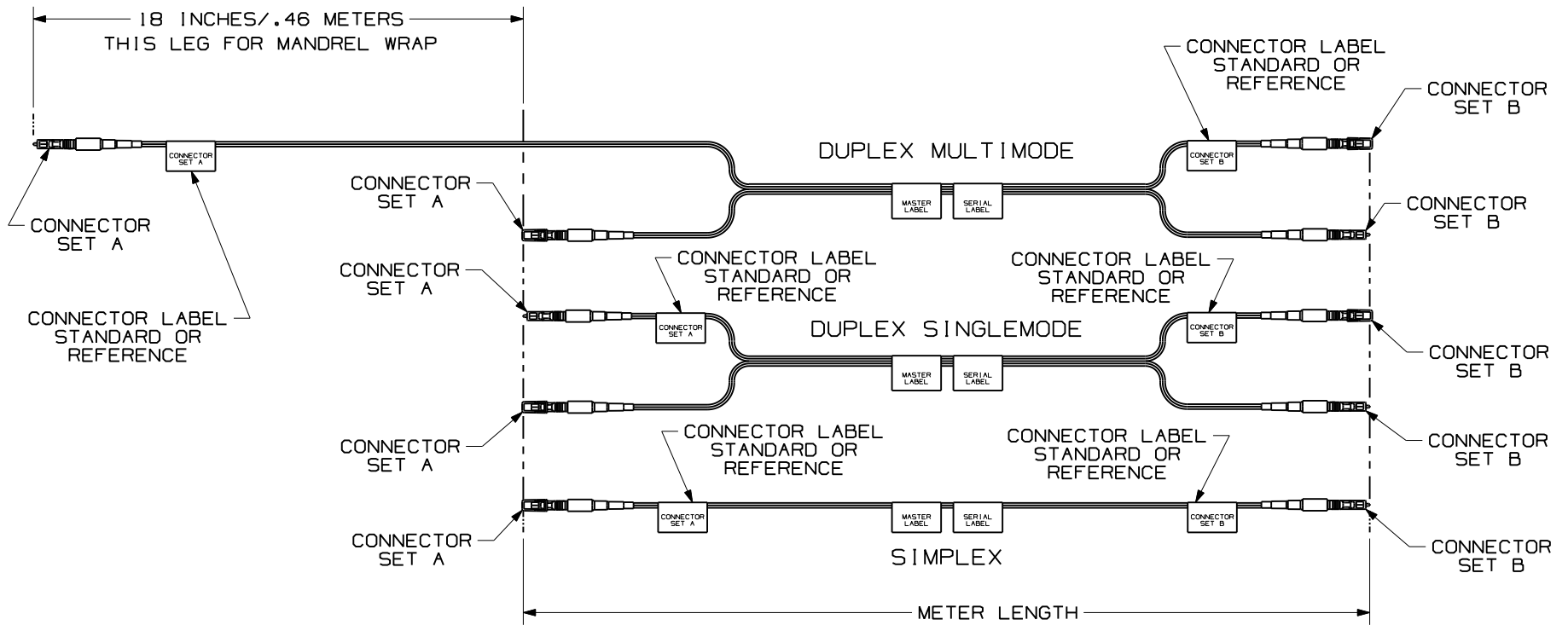


THIS COPY IS PROVIDED ON A RESTRICTED BASIS AND IS NOT TO BE USED IN ANY WAY DETRIMENTAL TO THE INTERESTS OF PANDUIT CORP.

NOTES:

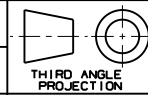
1. SEE CURRENT CATALOG FOR PRODUCT DESCRIPTIONS AND TECHNICAL SPECIFICATIONS
2. SEE CURRENT CATALOG FOR LENGTHS AND PACKAGE QUANTITY.
3. ALL MATERIALS AND COMPONENTS USED MEET THE MATERIAL RESTRICTIONS OF RoHS, (EUROPEAN DIRECTIVE 2002/95/EC ON THE RESTRICTION OF HAZARDOUS SUBSTANCES) AS PROPOSED BY THE RoHS TECHNICAL ADAPTATION COMMITTEE.



REFERENCE CABLE ASSEMBLIES  
CUSTOMER DRAWING



**PANDUIT**™  
CORP.  
TINLEY PARK, ILL 60477



ALL DIMENSIONS ARE GIVEN IN INCHES, UNLESS OTHERWISE SPECIFIED,  
DIMENSIONAL TOLERANCES ARE:  
(.X) (.XXX) ±.010 (0.3)  
(.XX) ±.03 (0.8) ANGLES

DRAWING FILENAME  
M02745DD\_DC/00A

SCALE  
FULL

DRAWN BY  
MTV

REVIEW DRAWING NUMBERS

PART NO. SEE TABLE (SHEET 2)

DATE  
02-09-09

CHK'D

DRAWING NO.  
02745-43

SIZE  
A


REV	DATE	BY	CHK	DESCRIPTION	ECN	R	CUST	SUP	OTH
R	02-10-09	EFK		RELEASED TO PRODUCTION	02745-43				

SHEET 1 OF 2

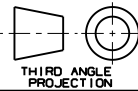
THIS COPY IS PROVIDED ON A RESTRICTED BASIS AND IS NOT TO BE USED IN ANY WAY DETRIMENTAL TO THE INTERESTS OF PANDUIT CORP.

		CABLE				CONNECTOR SET A				CONNECTOR SET B							
FIBER PRODUCT	CABLE TYPE	FIBER COUNT		FIBER TYPE		CONNECTOR QUALITY		CONNECTOR TYPE		CONNECTOR QUALITY		CONNECTOR TYPE		POSITION		LENGTH	
		DESCRIPTION		DESCRIPTION													
F	R	1	SIMPLEX	6	62.5/125	S	STANDARD	1	LC	-	R	PRECISION	1	LC	M	METER	0 2
		2	DUPLEX	X	50/125			L	DUPLEX LC				L	DUPLEX LC			
		R	RIBBON	9	9/125			2	ST				2	ST			
								3	SC				3	SC			
								S	DUPLEX SC				S	DUPLEX SC			

										REFERENCE CABLE ASSEMBLIES		CUSTOMER DRAWING		
R	02-10-09	EFK		SEE SHEET 1		02745-43								
REV	DATE	BY	CHK	DESCRIPTION	ECN	R	CUST	SUP	OTH					



**PANDUIT**™  
CORP.  
TINLEY PARK, ILL 60477



THIRD ANGLE  
PROJECTION

ALL DIMENSIONS ARE GIVEN IN INCHES,  
UNLESS OTHERWISE SPECIFIED.  
DIMENSIONAL TOLERANCES ARE:  
(.X) ±.03 (0.8) ANGLES  
(.XXX) ±.010 (0.3)

DRAWING FILENAME  
M02745DD\_DC/00A

SCALE  
FULL

PART NO.  
SEE TABLE  
(SHEET 2)

DRAWING NO.  
02745-43  
SHEET 2 OF 2

SIZE  
A

DRAWN BY  
MTV

DATE  
02-09-09

CHK'D

REVIEW DRAWING NUMBERS

