

THIS COPY IS PROVIDED ON A RESTRICTED BASIS AND IS NOT TO BE USED IN ANY WAY DETRIMENTAL TO THE INTERESTS OF PANDUIT CORP.

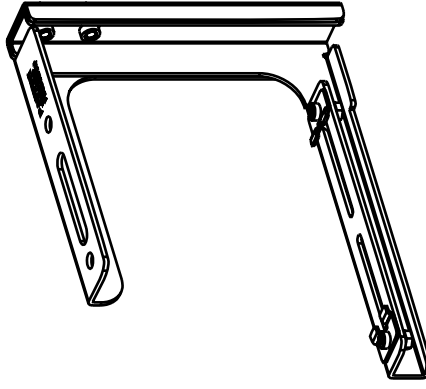
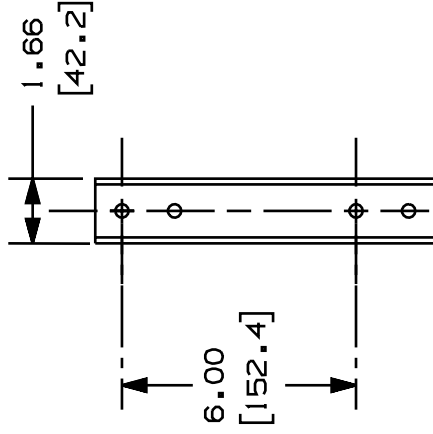
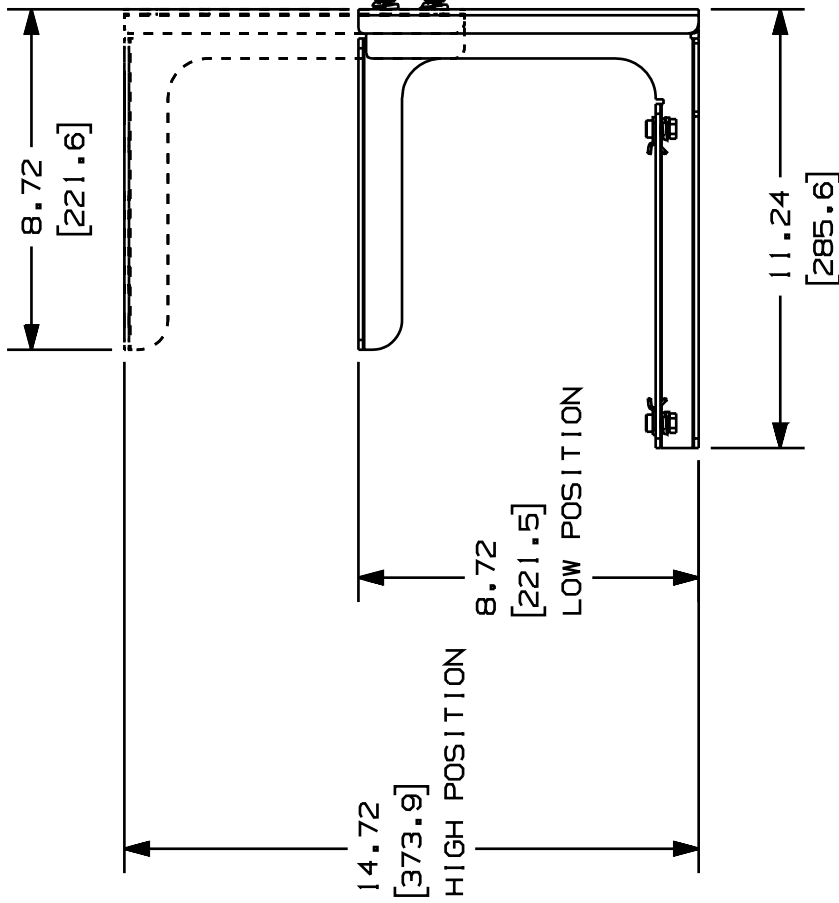


.54 DIA  
[13.7]

NOTES:

1. BRACKET ATTACHES TO NEW 1/2" OR 12mm THREADED ROD (NOT INCLUDED).
2. THE FR6ACB12 & FR6ACB12M KIT INCLUDES: ONE (1) BRACKET SET (UPPER & LOWER ASSEMBLED), TWO (2) BRACKET CLIP ASSEMBLIES, TWO (2) 1/2" HELICAL SPRING LOCKWASHERS, TWO (2) 1/2-13 HEAVY HEX NUT (FR6ACB12 ONLY), TWO (2) M12X1.75 HEX NUT (FR6ACB12M ONLY).
3. FINISH COLOR: BLACK
4. DIMENSIONS IN PARENTHESIS ARE IN METRIC.

PANDUIT P/N	WEIGHT
FR6ACB12	3.30 LB/PC.
FR6ACB12M	(1495 g/PC.)



ENG. REF.: D38022BX\_DC\_FR6ACB12\_00A.prt

CAD FILENAME/LAYERS

38022-29.PDF

PANDUIT		CORP. TINLEY PARK, ILLINOIS	
FIBERRUNNER™ 6" ADJUSTABLE "C" BRACKET KIT (FR6ACB12, FR6ACB12M)		CUSTOMER DRAWING	
UNLESS OTHERWISE SPECIFIED, DIMENSIONAL TOLERANCES ARE: (.X) ±.031(.8) ANGLES : (.XX) ±.031(.8)		UNLESS OTHERWISE SPECIFIED, ALL DIMENSIONS ARE GIVEN IN INCHES, THIRD ANGLE PROJECTION.	
DRAWN BY	JHNU	MAT'L:	NONE
DATE	5-24-01		
CHECKED BY			
REV	R	DATE	5-24-01
BY	JHNU	DESCRIPTION	RELEASED TO PRODUCTION.
CHK		ECN	38022-29
CHK		CUST	STEEL
SUP			
DRAWING NO.		38022-29	
SCALE		NONE	
DWG		A	
SIZE		A	