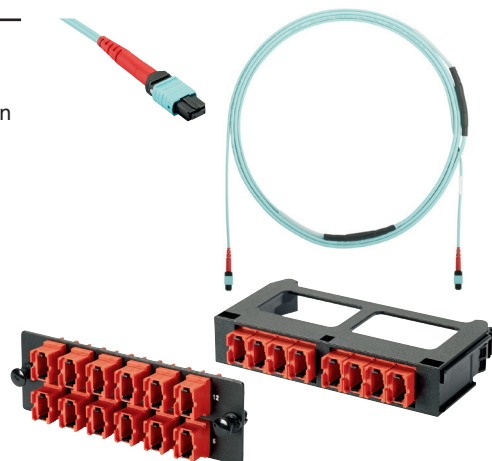


QuickNet™ 100G MPO Trunk Cable Assemblies and Adapter Panels

technical information

QuickNet™ 24 Fiber MPO Pre-Terminated Trunk Cable Assemblies allow for rapid deployment of high-density permanent links for aggregation of 10G Ethernet and higher speed Fiber Channel Cabling. These cables and adapter panels facilitate direct attach or structured cabling capability for 100GBASE-SR10 applications and CXP or MXP optics requiring 24 fiber MPO interconnection at the transceiver media device interface. QuickNet™ Pre-Terminated Trunk Cable Assemblies optimize cable routing requirements to ensure efficient use of pathway space and significantly reduce installation time and cost. QuickNet™ Pre-Terminated Trunk Cable Assemblies are built with modular 24 fiber MTP* connectivity and provide compatibility, flexibility and system performance in cabling applications requiring a TIA-FOCIS 5 compliant 24 fiber MPO interface at a cabling bulkhead adapter or transceiver receptacle interface. All Panduit® QuickNet™ Trunk Cable Assemblies are factory terminated and tested to deliver verified optical performance and reliability for improved network integrity. These trunk assemblies, when deployed in a channel, provide 40 Gb/s and 100 Gb/s network performance up to 100meters for OM3 and up to 125 meters for OM4 (per the IEEE 802.3ba 40/100 GbE Ethernet standard) while maintaining compatibility with legacy Ethernet and all ANSI Fibre Channel applications.



application

Allows system design of efficient structured cabling systems in support of 100 Gb/s Ethernet Interconnects (IEEE 802.3ba Clause 86) and 10x10 Gb/s Ethernet Interconnects (802.3ae Clause 52) for Data Aggregation and Super High Density Cabling that service Datacom/Telecom Switch and Router Connections.

construction

Cable type:	Indoor Small Diameter Trunk
Cable jacket ratings:	Low Smoke Zero Halogen (LSZH IEC 60332-1, 60332-3C, 60754-1, 61034-2) Optical Fiber Non Conductive Plenum (OFNP)
Fiber types:	Multimode: OM3, OM4 Singlemode: OS1/OS2
Connector types end 'A':	24-fiber: MPO female, MPO male
Connector color end 'A':	Multimode PC: Black and Aqua Singlemode APC: Black and Yellow
Fiber Count:	24
Polarity:	MPO-MPO: Method A
Jacket color:	OM3/OM4 Aqua OS1/OS2 Yellow
Connector types end 'B':	24-fiber: MPO female, MPO male
Connector color end 'B':	Multimode PC: Black and Aqua Singlemode APC: Black and Yellow

optical properties

Maximum cable attenuation:	Singlemode: 1.0dB/km at 1310/1550nm Multimode: 3.5dB/km at 850nm 1.5dB/km at 1300nm
Maximum connector insertion loss:	Singlemode: 0.75dB Multimode: 0.50dB
Minimum connector return loss:	Singlemode: 55dB Multimode: 26dB

physical properties

Cable outside diameter (OD):	5.4mm
Minimum bend radius:	Under load: 20 X Cable OD Static: 10 x Cable OD
Cable tensile strength:	660N
Cable compressive load:	10 N/mm
Cable flex:	25 cycles
Connector cable retention:	50N
Connector durability:	500 mating cycles
Breakout outside diameter:	3.0mm
Transition outside diameter:	10mm
Pulling eye diameter:	23mm
Cable twist:	10 cycles
Breakout length:	1m

environmental properties

Operating temperature:	0 °C to +70 °C (32°F to +158°F)
Storage and shipping temperature:	-40 °C to +70 °C (-40°F to +158°F)
Installation temperature:	0 °C to +60 °C (32°F to +140°F)

standards

Meets or exceeds ISO/IEC 11801, TIA/EIA-568-C.3, TIA-604-5 (FOCIS-5), TIC/EIA-568-C.1, RoHS Complaint

QuickNet™ 100G MPO Trunk Cable Assemblies and Adapter Panels

part number

Example: FXUYLEEEAAM030 = OM3, 24-fiber, indoor small diameter trunk cable, LSZH, 24F MPO female, 1m breakout to 24F MPO female, 1m breakout, Polarity A, pulling eye on end A, 30 meters

CHARACTER	1	2	3	4	5	6	7	8	9	10	11	12	13	14	15
EXAMPLE	F	X	U	Y	L	E	E	E	E	A	A	M	0	3	0

1 – Fiber Product

F = Fiber

2 – Fiber Type

9 = OS1/OS2 9/125µm
 X = OM3 10Gig™ 50/125µm
 Z = OM4 10Gig™ 50/125µm

3 – Fiber Count

U = 24-fiber

4 – Cable Type

Y = Indoor small diameter trunk cable

5 – Jacket Type

L = Low Smoke Zero Halogen (LSZH)
 P = Optical Fiber Non Conductive Plenum (OFNP)

6 – Connector Type (end A)

E = 24F MPO female
 F = 24F MPO male

7 – Connector Variant

E = 1m breakout

8 – Connector Type (end B)

E = 24F MPO female
 F = 24F MPO male

9 – Connector Variant

E = 1m breakout

10 – Construction/Performance

A = Polarity A, standard IL
 B = Polarity B, standard IL

11 – Other

A = Pulling eye end A
 C = Pulling eye both ends

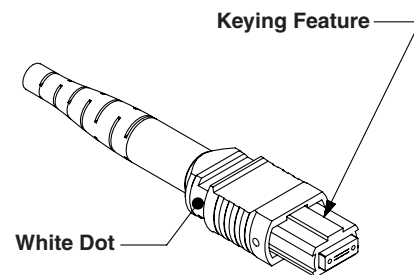
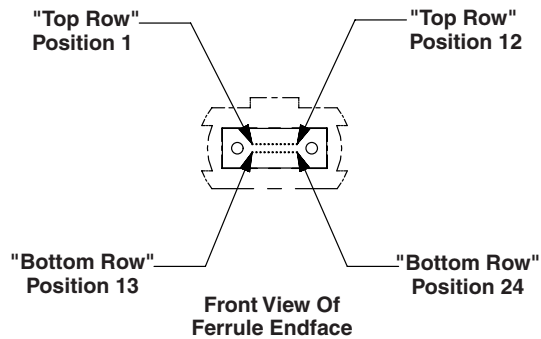
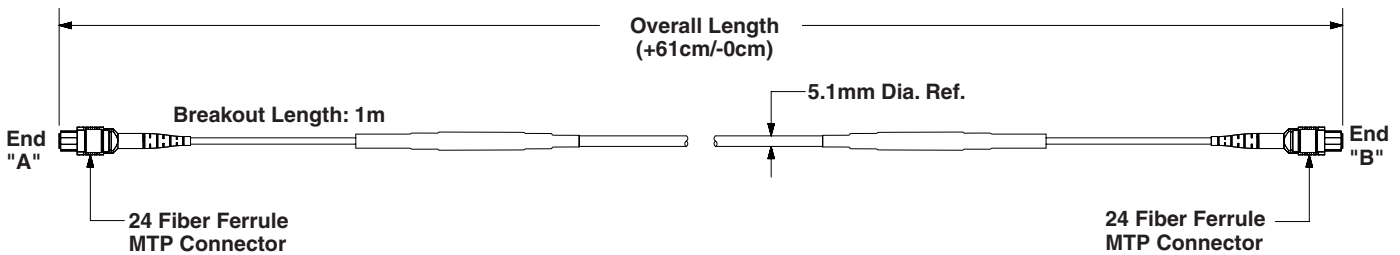
12 – Unit of Length

M = Meters
 F = Feet

13, 14, 15 – Cable Assembly Length

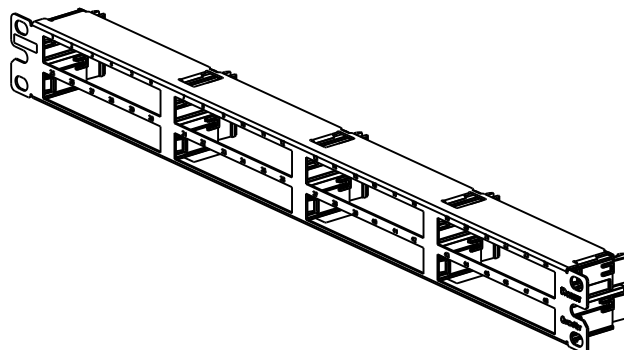
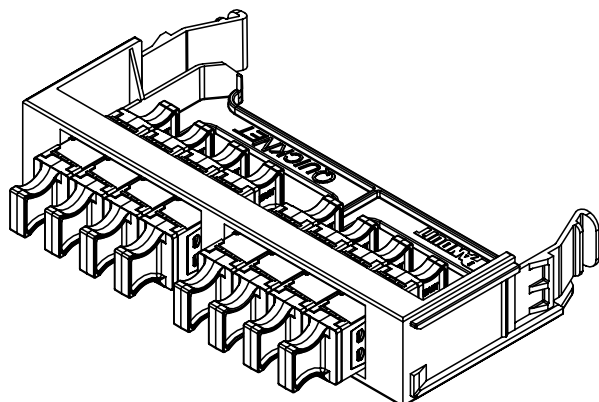
005 to 100m in increments of 5m
 020 to 300 ft. in increments of 10 ft.

QuickNet™ 100G MPO Trunk Cable Assemblies and Adapter Panels



QuickNet™ 100G MPO Trunk Cable Assemblies and Adapter Panels

QuickNet™ 100G MPO Fiber Adapter Panels



QuickNet™ 100G MPO Fiber Adapter Panels (FAPs) and QuickNet™ Patch Panels

QuickNet™ 100G MPO Fiber Adapter Panels (FAPs) SFQ FAPs with Type A MPO Adapters (key-up/key-down)	FQMAP45RD, FQMAP65RD FQMAP85RD
QuickNet™ Patch Panels	QPP24BL, QAPP24BL, QPP48HDBL, QAPP48HDBL
Opticom® Fiber Adapter Panels (FAPs) and Opticom® Patch Panels	
Opticom® Fiber Adapter Panels (FAPs) FAPs with Type A MPO Adapters (key-up/key-down)	FAPH0424RDMPO, FAPH0624RDMPO, FAPH0824RDMPO FAPH1224RDMPO, FAPH1624RDMPO, FAPH1824RDMPO FAPV0424RDMPO, FAPV0624RDMPO, FAPV0824RDMPO
Opticom® Patch Panels	CFAPPBL1 CFAPPBL1A CFAPPBL2 CFAPPBL2A

WORLDWIDE SUBSIDIARIES AND SALES OFFICES

PANDUIT CANADA
Markham, Ontario
cs-cdn@panduit.com
Phone: 800.777.3300

PANDUIT EUROPE LTD.
London, UK
cs-emea@panduit.com
Phone: 44.20.8601.7200

PANDUIT SINGAPORE PTE. LTD.
Republic of Singapore
cs-ap@panduit.com
Phone: 65.6305.7575

PANDUIT JAPAN
Tokyo, Japan
cs-japan@panduit.com
Phone: 81.3.6863.6000

PANDUIT LATIN AMERICA
Guadalajara, Mexico
cs-la@panduit.com
Phone: 52.33.3777.6000

PANDUIT AUSTRALIA PTY. LTD.
Victoria, Australia
cs-aus@panduit.com
Phone: 61.3.9794.9020

For a copy of Panduit product warranties, log on to www.panduit.com/warranty

For more information

Visit us at www.panduit.com

Contact Customer Service by email: cs@panduit.com
or by phone: 800.777.3300

©2015 Panduit Corp.
ALL RIGHTS RESERVED.
FBSP83--WW-ENG
8/2015