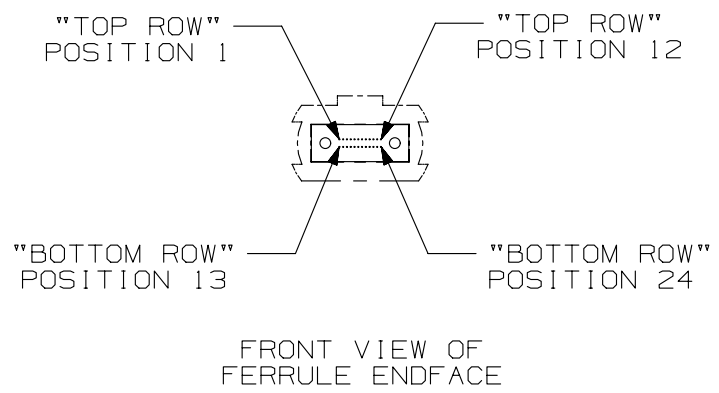
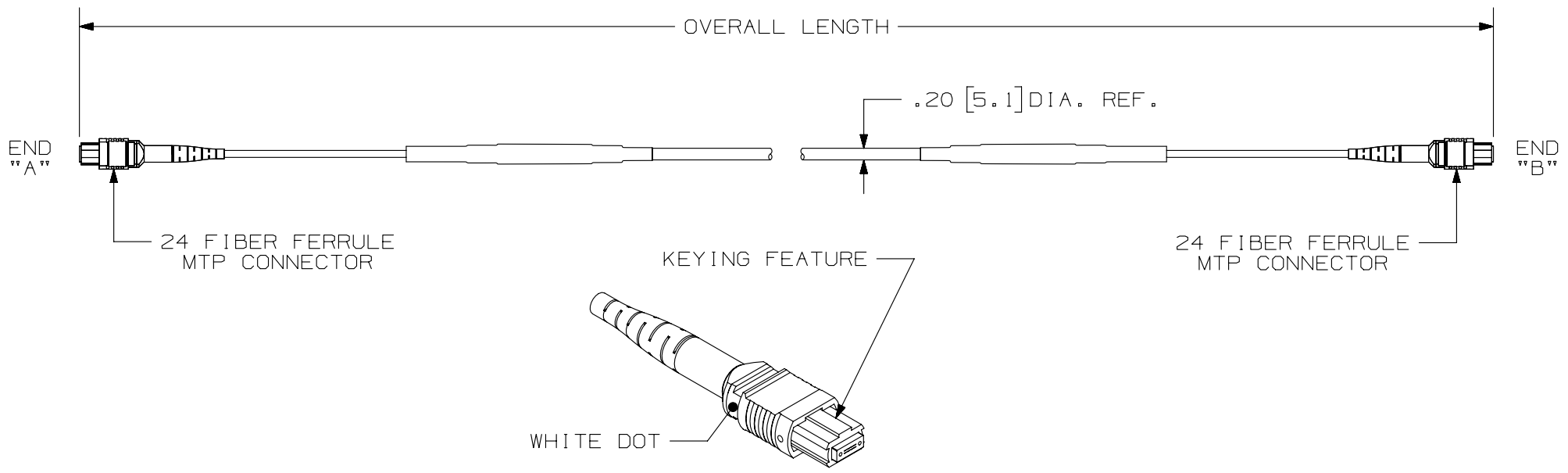


2

1

THIS COPY IS PROVIDED ON A RESTRICTED BASIS AND IS NOT TO BE USED IN ANY WAY DETRIMENTAL TO THE INTERESTS OF PANDUIT CORP.



- NOTES:
1. CONNECTOR MEETS THE REQUIREMENTS OF TIA-568-C.3.
 2. LSZH-RATED CABLE ASSEMBLIES MEET IEC-60332, IEC-60754 AND IEC-61034 REQUIREMENTS.
 3. CABLE MEETS THE MECHANICAL REQUIREMENTS OF ICEA-S-83-596 AND TELCORDIA GR-409-CORE.
 4. ALL MATERIALS AND COMPONENTS USED MEET THE MATERIAL RESTRICTIONS OF RoHS (EUROPEAN DIRECTIVE 2011/65/EC ON THE RESTRICTION OF HAZARDOUS SUBSTANCES) AS PROPOSED BY THE RoHS TECHNICAL ADAPTATION COMMITTEE.
 5. MAXIMUM STRENGTH OF THE PULLING EYE IS 20 lbs.

R	05-28-13	MC	PJI	SFDO	RELEASED TO PRODUCTION				12F178BJ-DC	
REV	DATE	BY	CHK	APR	DESCRIPTION	ECN				

TITLE 24 FIBER FERRULE MTP TO 24 FIBER FERRULE MTP SMALL DIAMETER TRUNK CUSTOMER DRAWING	
ITEM REVISION NAME 12F178BJ/00	PANDUIT
DATASET FILE NAME 12F178BJ_DC/00A	
UNLESS OTHERWISE SPECIFIED, DIMENSIONAL TOLERANCES ARE: IN (mm)	
.x ±	.xxx ± .010 (0.3)
.xx ± .03 (0.8)	ANGLES ±
THIRD ANGLE PROJECTION	
DRAWING NUMBER: 12F178BJ-DC	
DRAWN BY MC	DATE 05-05-13
CHK PJI	SCALE NONE
SHT 1 OF 2	
SIZE A	

2

1

THIS COPY IS PROVIDED ON A RESTRICTED BASIS AND IS NOT TO BE USED IN ANY WAY DETRIMENTAL TO THE INTERESTS OF PANDUIT CORP.

TABLE 2 - MTP PIN OUT CONFIGURATION (METHOD A)

END A POSITION	FIBER COLOR	END B POSITION	END A POSITION	FIBER COLOR	END B POSITION
1	BLUE	13	13	BLUE	1
2	ORANGE	14	14	ORANGE	2
3	GREEN	15	15	GREEN	3
4	BROWN	16	16	BROWN	4
5	GRAY	17	17	GRAY	5
6	WHITE	18	18	WHITE	6
7	RED	19	19	RED	7
8	BLACK	20	20	BLACK	8
9	YELLOW	21	21	YELLOW	9
10	VIOLET	22	22	VIOLET	10
11	ROSE	23	23	ROSE	11
12	AQUA	24	24	AQUA	12

TABLE 1 - CONNECTOR LOSS

FIBER TYPE	MAX. IL (dB)	MAX. IL (dB)
50/125 OM3	0.50	30
50/125 OM4		
9/125 OS1/OS2	0.75	55

TABLE 3 - PATCH CORD PART NUMBER MATRIX

1	2	3	4	5	6	7	8	9	10	11	12	13	14	15
F														
* * * LENGTH: 001 TO 999														
UNIT OF MEASURE: F = FEET, M = METERS														
PULLING EYE: A = PULLING EYE ONE END, C = PULLING EYE BOTH ENDS, N = NO PULLING EYE														
PERFORMANCE / METHOD: A = METHOD A - STANDARD IL														
CONNECTOR VARIANT - POSITIONS 7 AND 9: E = 39" BREAKOUT														
CONNECTOR - POSITIONS 6 AND 8: E = 24 FIBER MTP FEMALE, F = 24 FIBER MTP MALE														
FLAME RATING: P = PLENUM, L = LSZH														
CABLE TYPE: Y = SMALL DIAMETER TRUNK														
FIBER COUNT: U = 24 FIBERS														
FIBER TYPE: X = 50/125um OM3, Z = 50/125um OM4, 9 = 9/125um SINGLEMODE														
PRODUCT DESIGNATION: F = FIBER														

REV	DATE	BY	CHK	APR	DESCRIPTION	ECN
R	05-28-13	MC	PJI	SFDO	RELEASED TO PRODUCTION	12F178BJ-DC

TITLE 24 FIBER FERRULE MTP TO 24 FIBER FERRULE MTP SMALL DIAMETER TRUNK CUSTOMER DRAWING	
ITEM REVISION NAME 12F178BJ/00	PANDUIT
DATASET FILE NAME 12F178BJ_DC/00A	
UNLESS OTHERWISE SPECIFIED, DIMENSIONAL TOLERANCES ARE: IN (mm)	
.X ± .xx ± .03 (0.8)	.xxx ± .010 (0.3)
ANGLES ±	
DRAWING NUMBER: 12F178BJ-DC	
DRAWN BY MC	DATE 05-23-13
CHK PJI	SCALE NONE
SHT 2 OF 2	
SIZE A	