

## technical information

Trunk Cable Assemblies allow for rapid deployment of high-density permanent links in a single assembly for data center applications requiring quick infrastructure installation, such as main, horizontal, and zone distribution cabling areas. These assemblies optimize cable routing to ensure efficient use of pathway space and significantly reduce installation time and cost. They are built with modular, high performance, Multiple-Fiber Push-On/Pull-Off (MPO) and discrete single fiber connectors. This also provides compatibility, flexibility, and system performance in all permanent link applications.

Trunk Cable Assemblies are factory terminated and tested to deliver verified optical performance and reliability for improved network integrity.



## application

Data Center applications requiring quick infrastructure deployment such as main, horizontal, and zone distribution areas.

## construction

<b>Cable type:</b>	Indoor Trunk
<b>Cable jacket ratings:</b>	Optical Fiber Nonconductive Plenum (OFNP) Low Smoke Zero Halogen (LSZH)
<b>Fiber types:</b>	Singlemode: OS1/OS2 9/125µm Singlemode: OS2 9/125µm Multimode: OM3 50/125µm OM4 50/125µm
<b>Connector type options end 'A':</b>	LC Duplex MPO Female MPO Male
<b>Connector type options end 'B':</b>	LC Duplex MPO Female MPO Male
<b>Fiber count:</b>	48, 72, 96, and 144
<b>Jacket color:</b>	OS2: Yellow OM3: Aqua OM4: Aqua

## optical properties

<b>Maximum cable attenuation:</b>	Singlemode: 1.0dB/km at 1310/1550nm Multimode: 3.5dB/km at 850nm 1.5dB/km at 1300nm
<b>Maximum connector insertion loss:</b>	Singlemode LC: 0.35dB Singlemode MPO: 0.75dB Multimode LC: 0.25dB Multimode MPO: 0.50dB
<b>Minimum connector return loss:</b>	Singlemode LC/MPO: 55dB Multimode LC/MPO: 26dB

## physical properties

<b>Cable outside diameter (OD):</b>	48-fiber: 9.4mm 72-fiber: 9.4mm 96-fiber: 10.0mm 144-fiber: 11.1mm
<b>Minimum bend radius:</b>	Under load: 20 x cable OD Static: 10 x cable OD
<b>Cable tensile strength:</b>	1335N
<b>Cable compressive load:</b>	220N/cm short term 110N/cm long term
<b>Cable flex:</b>	100 cycles
<b>Cable twist:</b>	10 cycles
<b>Connector durability:</b>	MTP – 500 mating cycles
<b>Transition outside diameter (MPO):</b>	48-fiber: 19mm 72-fiber: 19mm 96-fiber: 19mm 144-fiber: 19mm
<b>Pulling eye diameter:</b>	48-fiber: 41mm 72-fiber: 41mm 96-fiber: 41mm 144-fiber: 41mm
<b>Breakout length:</b>	1m

## environmental properties

<b>Storage and shipping temperature:</b>	-40°C to 70°C
<b>Installation temperature:</b>	0°C to 70°C
<b>Operating temperature:</b>	-20°C to 70°C

## standards

Meets or exceeds ISO/IEC 11801, TIA/EIA-568-C.3, TIA-604-5 (FOCIS-5), TIA/EIA-568-C.1, and TIA-604-10 (FOCIS-10)  
RoHS Compliant

# QuickNet™ Trunk Cable Assemblies

## part number

Example: FXWSL5E5EAAM100 = Fiber OM3, 48-fiber, indoor trunk, LSZH, MPO female to MPO female, polarity method A, pulling eye, 100 meter

Character	1	2	3	4	5	6	7	8	9	10	11	12	13	14	15
Example	F	X	W	S	L	5	E	5	E	A	A	M	1	0	0

### 1 – Fiber

F = Fiber

### 2 – Fiber Type

9 = OS2 9/125µm  
X = OM3 50/125µm  
Z = OM4 50/125µm

### 3 – Fiber Count

W = 48-fiber  
X = 72-fiber  
Y = 96-fiber  
A = 144-fiber

### 4 – Cable Type

S = Indoor Trunk

### 5 – Jacket Type

L = Low Smoke Zero Halogen (LSZH)  
P = Plenum (OFNP)

### 6 – Connector Type End “A”

5 = MPO Female  
6 = MPO Male  
L = LC Duplex

### 7 – Connector Variant

E = 1m breakout  
2 = 2mm overjacket (LC only)

### 8 – Connector Type End “B”

5 = MPO female  
6 = MPO male  
L = LC duplex

### 9 – Connector Variant

E = 1m breakout  
2 = 2mm overjacket (LC only)

### 10 – Construction/Performance

A = Polarity A, Standard IL (MPO only)  
B = Polarity B – Standard IL (MPO only)  
S = Standard IL – Standard Polarity (MPO-LC), (LC-LC)

### 11 – Other

A = Pulling Eye End “A”

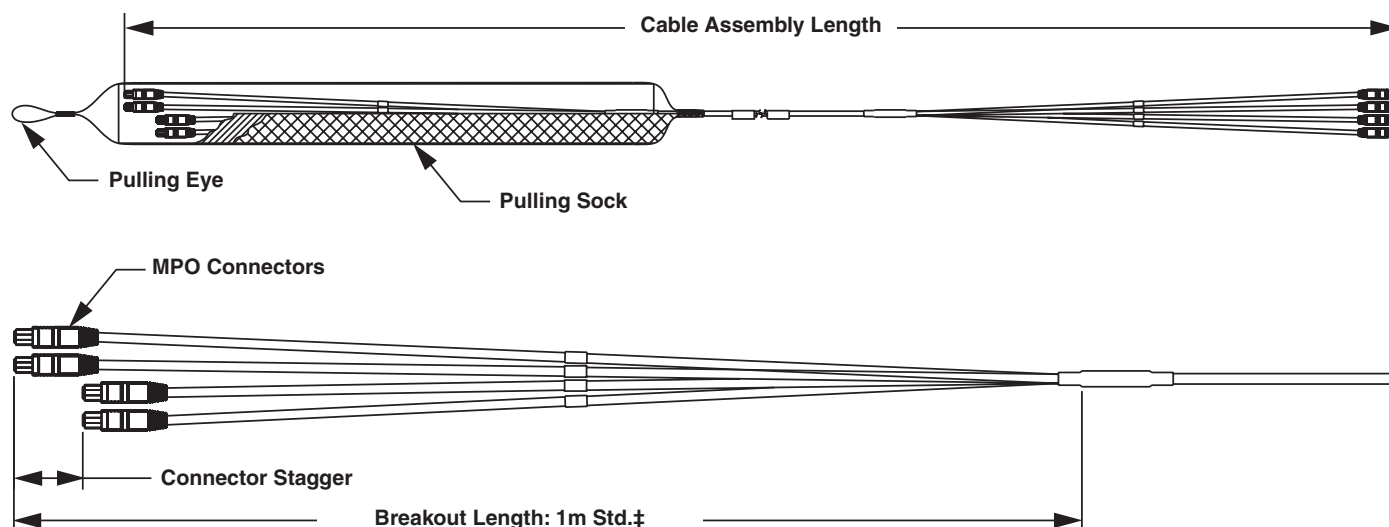
### 12 – Unit of Length

M = Meters (LSZH)  
F = Feet (Plenum)

### 13, 14, 15 – Cable Assembly Length

005 – 100m  
016 – 300 ft.

## trunk cable assembly detail



‡Breakout length tolerance is 12.7cm (+5")/-0

\*Other options are available as follows:

Fiber Types: OM1 62.5/125, OM2 50/125, OM4+ 50/125 Signature Core™

Cable Type: Indoor/Outdoor Armored Trunk, Indoor/Outdoor Trunk, Indoor Armored Trunk

Jacket Type: Dual LSZH/Riser OFNR, Riser OFNR

Connector Type: ST, SC, MTRJ Female, MTRJ Male, SC Duplex

Performance/Construction: Polarity A-Optimized IL, Polarity B-Standard IL Polarity B-Optimized IL

Other: Pulling eye End B, Pulling eye End A and B, No Pulling eye

Please contact Panduit customer service for information on additional part number options

### WORLDWIDE SUBSIDIARIES AND SALES OFFICES

PANDUIT CANADA  
Markham, Ontario  
cs-cdn@panduit.com  
Phone: 800.777.3300

PANDUIT EUROPE LTD.  
London, UK  
cs-emea@panduit.com  
Phone: 44.20.8601.7200

PANDUIT SINGAPORE PTE. LTD.  
Republic of Singapore  
cs-ap@panduit.com  
Phone: 65.6305.7575

PANDUIT JAPAN  
Tokyo, Japan  
cs-japan@panduit.com  
Phone: 81.3.6863.6000

PANDUIT LATIN AMERICA  
Guadalajara, Mexico  
cs-la@panduit.com  
Phone: 52.33.3777.6000

PANDUIT AUSTRALIA PTY. LTD.  
Victoria, Australia  
cs-aus@panduit.com  
Phone: 61.3.9794.9020

For a copy of Panduit product warranties, log on to [www.panduit.com/warranty](http://www.panduit.com/warranty)

For more information

Visit us at [www.panduit.com](http://www.panduit.com)

Contact Customer Service by email: [cs@panduit.com](mailto:cs@panduit.com)  
or by phone: 800.777.3300

**PANDUIT**®

©2014 Panduit Corp.  
ALL RIGHTS RESERVED.  
FBSP125--WW-ENG  
8/30/2016