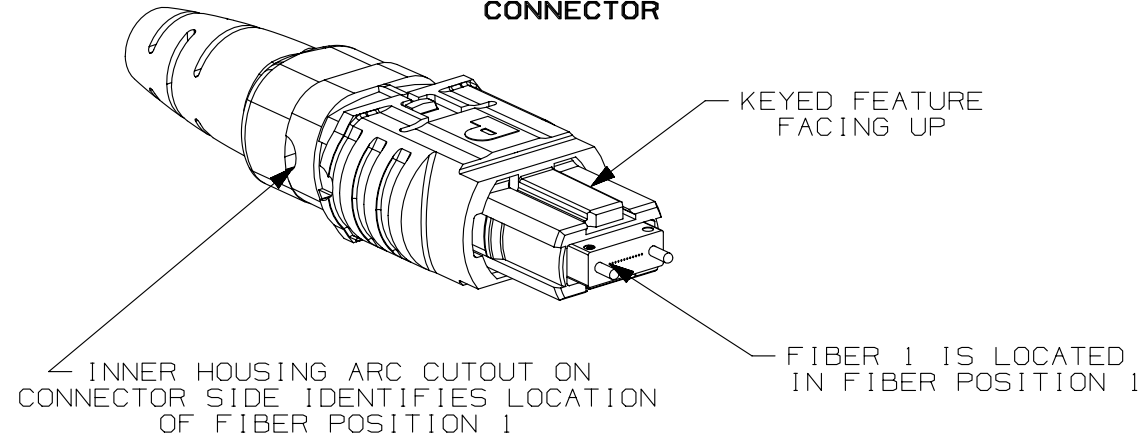
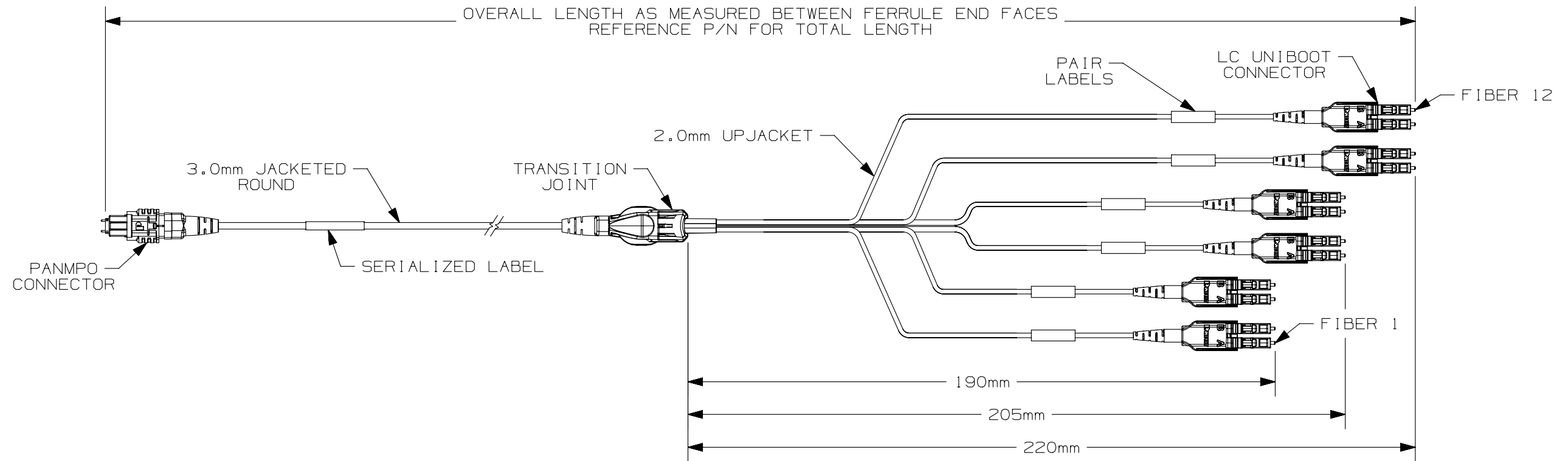


PANMPO CONNECTOR

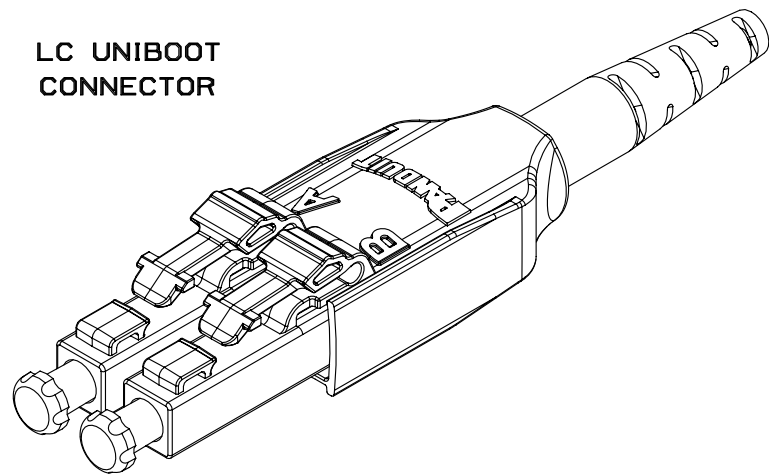


- NOTES:
- IDENTIFICATION:
PANMPO TO LC UNIBOOT HARNESS WITH 2mm UPJACKETED BREAKOUT ASSEMBLY.
 - CABLE:
A. REFERENCE PART NUMBER FOR CABLE/GLASS TYPE.
 - TECHNICAL SPECIFICATIONS:
A. REFER TO PART NUMBER FOR OVERALL LENGTH (WHERE M=METERS AND F=FEET).
 - ALL MATERIALS AND COMPONENTS USED MEET THE MATERIAL RESTRICTIONS OF RoHS (EUROPEAN DIRECTIVE 2011/65/EC ON THE RESTRICTION OF HAZARDOUS SUBSTANCES) AS PROPOSED BY THE RoHS TECHNICAL ADAPTATION COMMITTEE.
 - DIMENSIONS IN BRACKETS ARE METRIC (mm).



PAIR 1 AND 2 SHORTEST CONFIGURATION SHOWN
(FIBERS 1 AND 12 ARE REVERSED WHEN PAIRS 1 AND 2 ARE LONGEST)

LC UNIBOOT CONNECTOR



							TITLE		PANMPO TO LC UNIBOOT DUAL PAIR STAGGERED HARNESS (HYDRA) CABLE ASSEMBLY		
							ITEM REVISION NAME		M02680FV/00		
							DATASET FILE NAME		M02680FV_DC/00A		
							UNLESS OTHERWISE SPECIFIED, DIMENSIONAL TOLERANCES ARE: IN [mm]				
							.X ± .XXX ± .010 [0.3]				
							.XX ± .03 [0.8] ANGLES ±		DRAWING NUMBER:		
							THIRD ANGLE PROJECTION		M02680FV-DC		
00	09-26-13	SAT	JGD		RELEASED TO PRODUCTION	M02680FV-DC	DRAWN BY	DATE	CHK	SCALE	SHT 1 OF 2
REV	DATE	BY	CHK	APR	DESCRIPTION	ECN	SAT	09-26-13	JGD	NONE	B



THIS COPY IS PROVIDED ON A RESTRICTED BASIS AND IS NOT TO BE USED IN ANY WAY DETRIMENTAL TO THE INTERESTS OF PANDUIT CORP.

1	2	3	4	5	6	7	8	9	10	11	12	13	14	15
F			R		8	N	U		S	N				

FIBER TYPE

X - OM3
Z - OM4

FLAME COUNT

8 - 8 FIBERS
T - 12 FIBERS

FLAME RATING

L - LSZH
P - PLENUM OFNP

VARIANT END B

H - STAGGERED PAIR 1 AND 2 LONGEST BREAKOUT
J - STAGGERED PAIR 1 AND 2 SHORTEST BREAKOUT

UNIT OF MEASURE

M - METERS
F - FEET

LENGTH

B

B

A

A

REV	DATE	BY	CHK	APR	DESCRIPTION	ECN
00	09-26-13	SAT	JGD		RELEASED TO PRODUCTION	M02680FV-DC

TITLE PANMPO TO LC UNIBOOT DUAL PAIR STAGGERED HARNESS (HYDRA) CABLE ASSEMBLY CUSTOMER DRAWING					
ITEM REVISION NAME M02680FV/00	PANDUIT				
DATASET FILE NAME M02680FV_DC/00A					
UNLESS OTHERWISE SPECIFIED, DIMENSIONAL TOLERANCES ARE: IN [mm] .X ± .xxx ± .010 [0.3] .XX ± .03 [0.8] ANGES ±					
DRAWING NUMBER: M02680FV-DC					
DRAWN BY SAT	DATE 09-26-13	CHK JGD	SCALE NONE	DRAWING NUMBER SHT 2 OF 2	SIZE B

