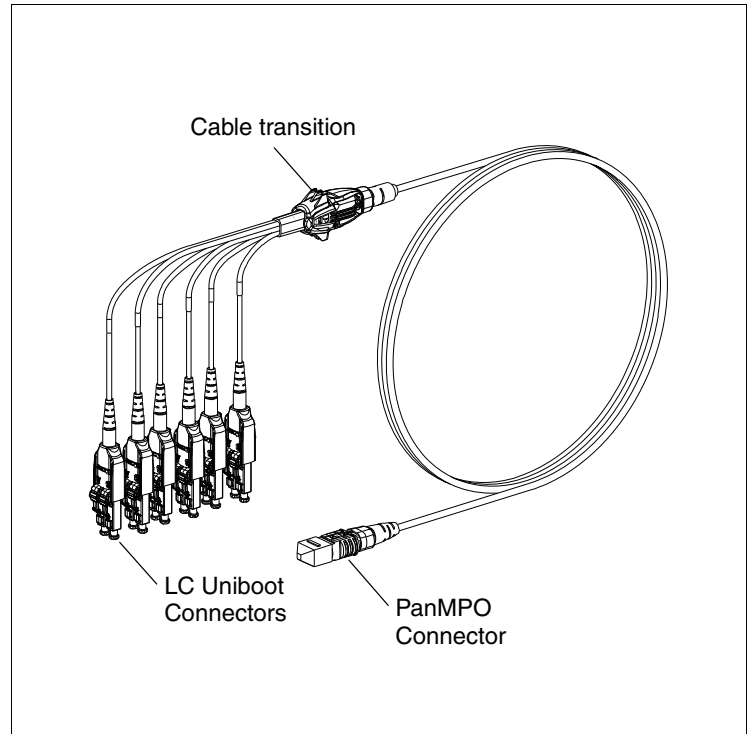
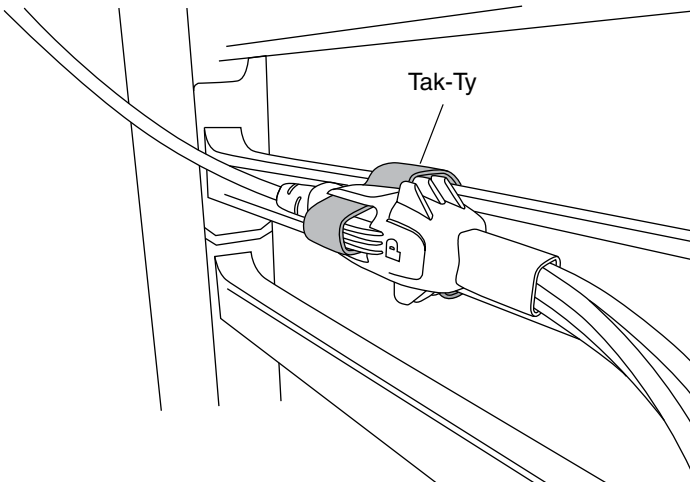


### Cable Transition Usage

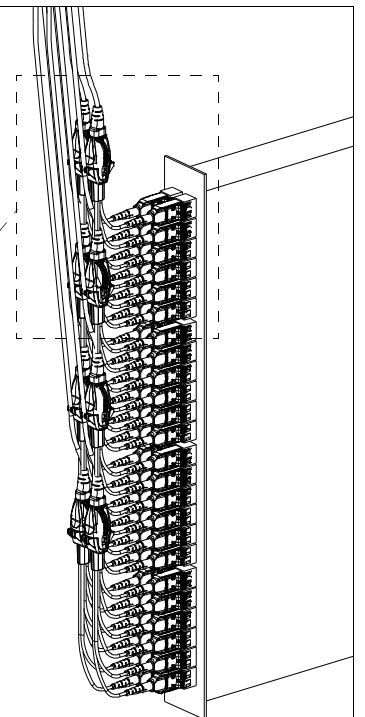
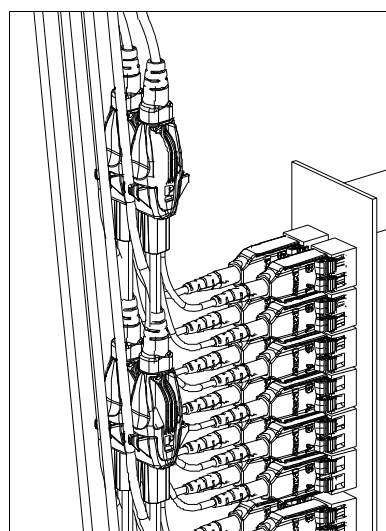
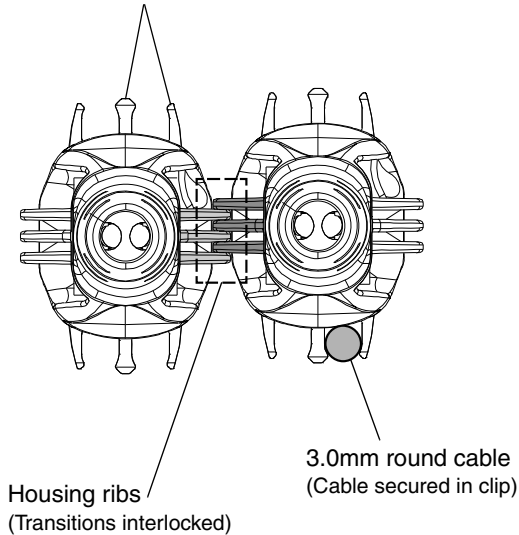
#### Tak-Ty Option

Slot features in the cable transition allows for the use of a Tak-Ty to either secure the cable harness to a rack feature, such as cable management fingers, or to more robustly secure multiple cable transitions that are interlocked together.

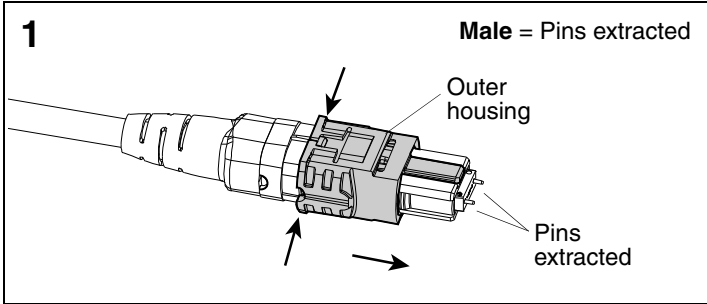


#### Cable Clips & Housing Ribs Option

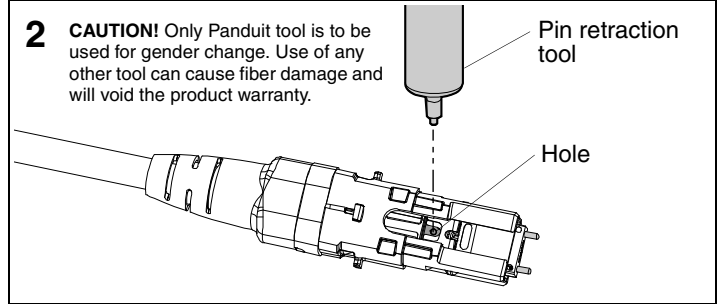
3.0mm round cable clips



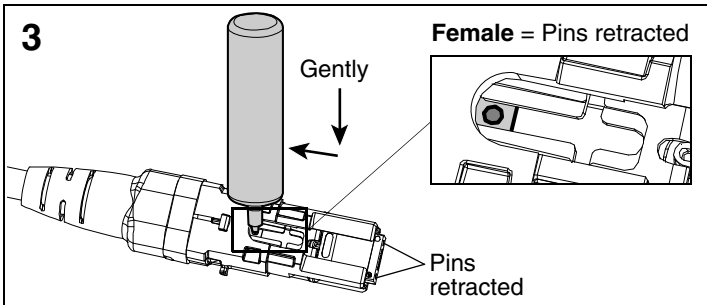
**PanMPO Gender Changeover**



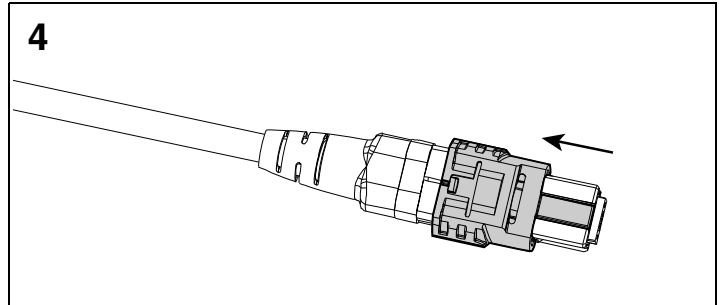
Squeeze both sides of the outer housing at the back end evenly until you hear an audible click. Pull off connector to remove.



Locate hole in the inner housing on the slotted side and position pin retraction tool over the hole.

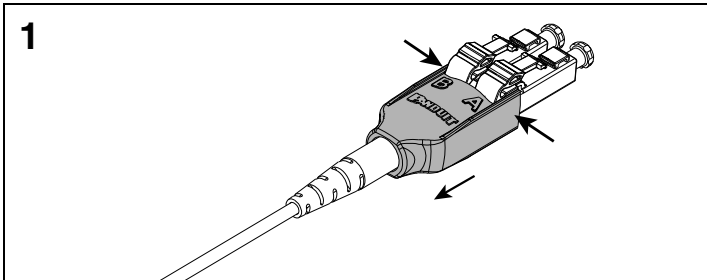


Insert tool into hole, press down gently, and push backward to retract connector pins to the female state. Repeat process in opposite direction to extract pins for male state.

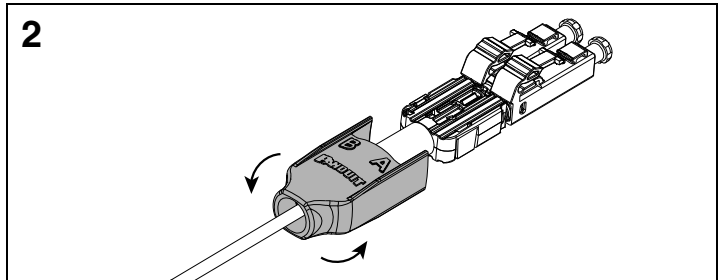


Re-install the outer housing. Ensure the key is in the proper orientation. See PanMPO polarity changeover instructions on page 2 of FS041\* for more details.

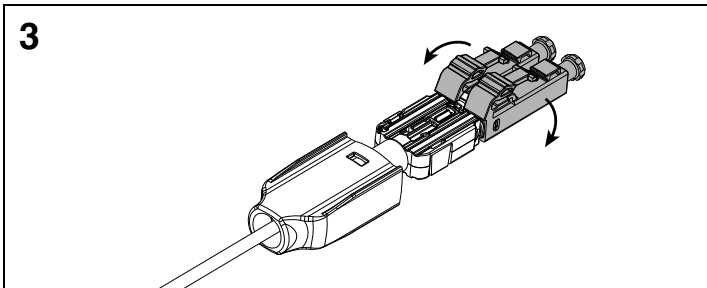
**LC Uniboot Polarity Changeover - Pair Flipping**



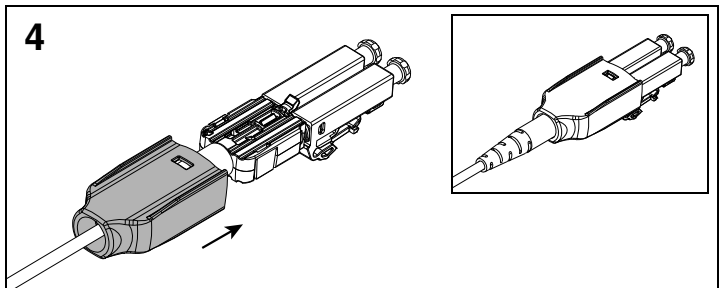
Squeeze both sides of the LC Uniboot cover evenly and pull back to disengage the tab on the opposite side.



Slide the LC Uniboot cover back away from connectors and rotate 180°.



Rotate each LC connector downward 180°.



Re-install the LC Uniboot cover until you hear an audible click.

\*Denotes instruction sheet revision letter.

For Instructions in Local Languages and Technical Support:  
[www.panduit.com/resources/install\\_maintain.asp](http://www.panduit.com/resources/install_maintain.asp)

**PANDUIT**  
[www.panduit.com](http://www.panduit.com)

E-mail:  
[techsupport@panduit.com](mailto:techsupport@panduit.com)  
 Phone:  
 866-405-6654