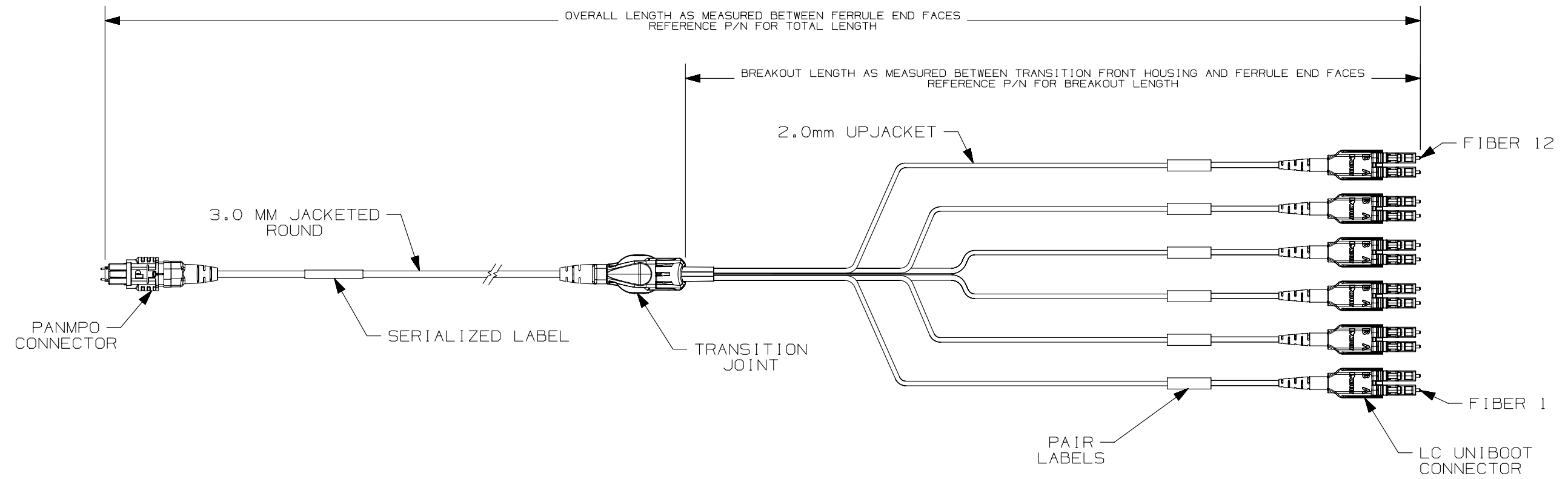
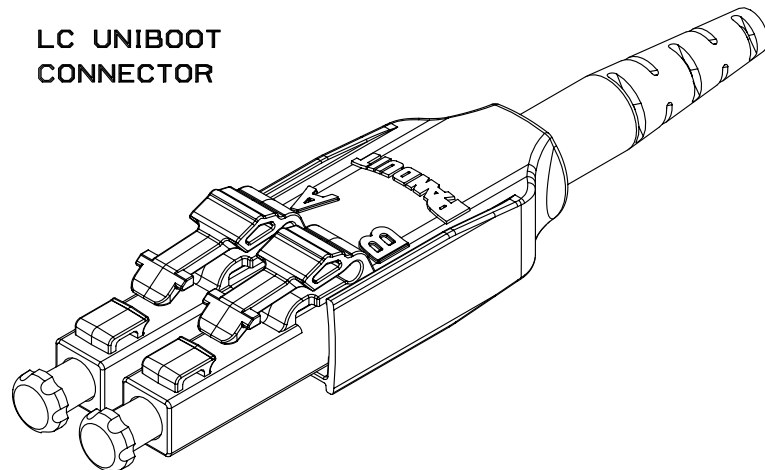


- NOTES:
- IDENTIFICATION:
PANMPO TO LC UNIBOOT HARNESS WITH 2mm UPJACKETED BREAKOUT ASSEMBLY.
 - CABLE:
A. REFERENCE PART NUMBER FOR CABLE/GLASS TYPE.
 - TECHNICAL SPECIFICATIONS:
A. REFER TO PART NUMBER FOR OVERALL LENGTH (WHERE M=METERS AND F=FEET).
 - ALL MATERIALS AND COMPONENTS USED MEET THE MATERIAL RESTRICTIONS OF RoHS (EUROPEAN DIRECTIVE 2011/65/EC ON THE RESTRICTION OF HAZARDOUS SUBSTANCES) AS PROPOSED BY THE RoHS TECHNICAL ADAPTATION COMMITTEE.
 - DIMENSIONS IN BRACKETS ARE METRIC (mm).



LC UNIBOOT CONNECTOR



REV	DATE	BY	CHK	APR	DESCRIPTION	ECN
00	09-26-13	SAT	JGD		RELEASED TO PRODUCTION	M02680FT-DC

TITLE PANMPO TO LC UNIBOOT HARNESS (HYDRA) CABLE ASSEMBLY		PANDUIT
CUSTOMER DRAWING		
ITEM REVISION NAME M02680FT/00	MATERIAL:	
DATASET FILE NAME M02680FT_DC/00A	DRAWING NUMBER: M02680FT-DC	
UNLESS OTHERWISE SPECIFIED, DIMENSIONAL TOLERANCES ARE: IN [mm]		
.X ± .03 [0.8]	.XXX ± .010 [0.3]	ANGLES ±
THIRD ANGLE PROJECTION		SCALE NONE
DRAWN BY SAT	DATE 09-26-13	CHK JGD
SHT 1 OF 2		SIZE B

