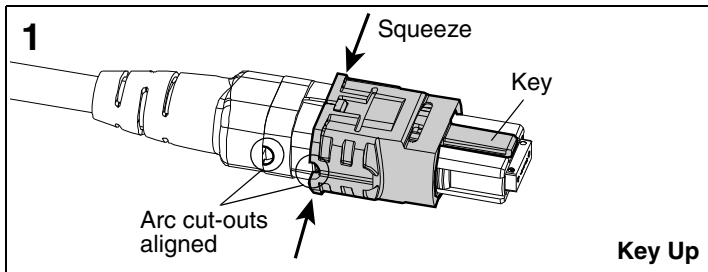
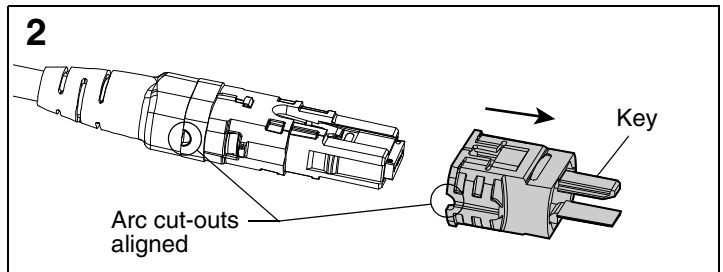


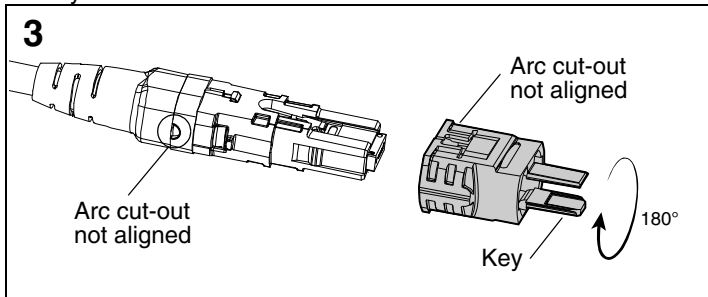
Polarity Changeover



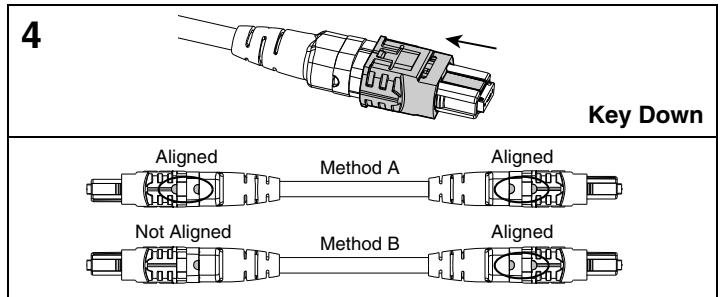
Squeeze both sides of outer housing at the back end evenly until you hear an audible click.



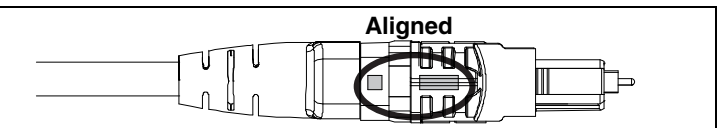
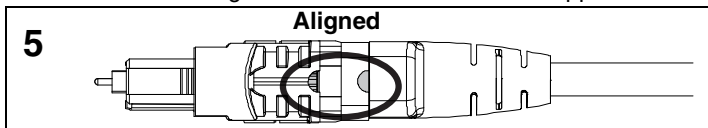
Pull outer housing off connector.



Rotate outer housing 180° so arc cut-out is on the opposite side.

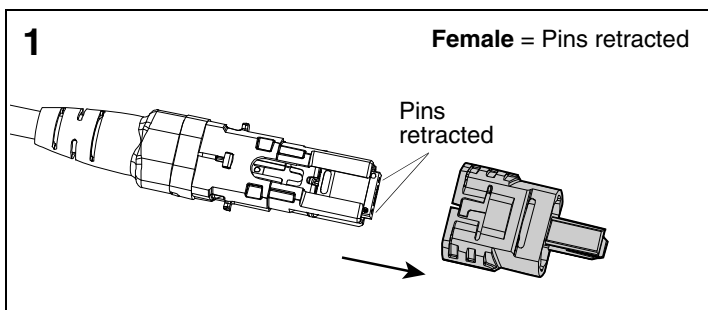


Re-install outer housing until you hear a faint audible click.

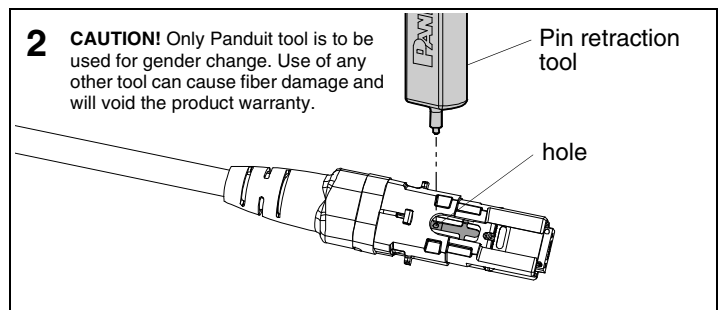


Singlemode only. The polarity of singlemode connectors must not be altered. When assembling the outer housing verify that the arc cut-outs and white dashes align on both sides of the PanMPO housing.

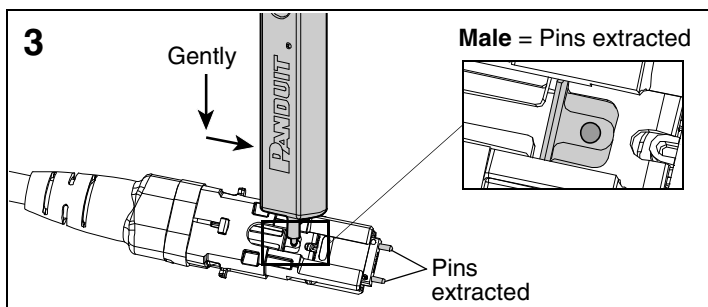
Gender Changeover



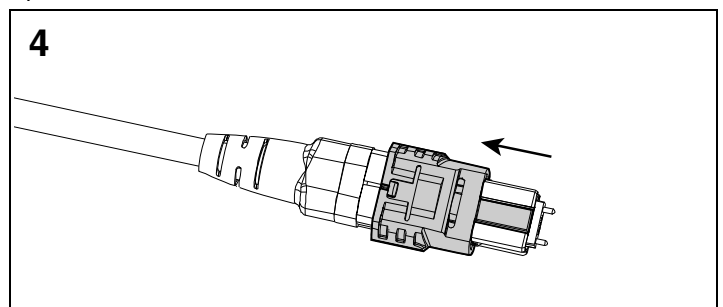
Remove outer housing per polarity changeover instructions.



Locate hole in the inner housing on the slotted side and position pin retraction tool over the hole.



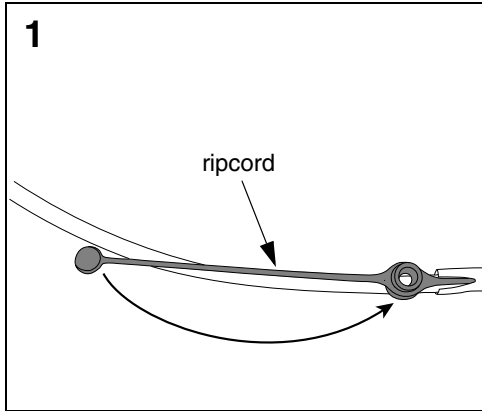
Insert tool into hole, press down gently, and push forward to advance connector pins to the male state. Repeat process in opposite direction to retract pins for female state.



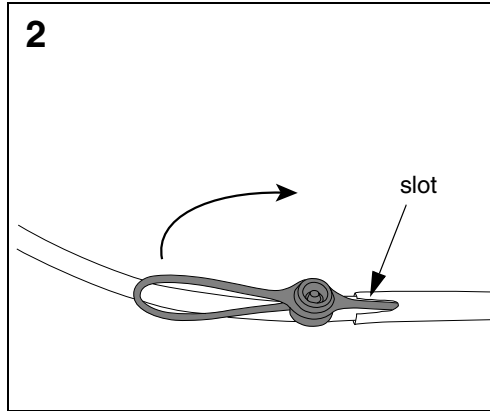
Re-install outer housing in the correct orientation. See polarity changeover instructions above.

See reverse side for PanMPO Connector Changeover Instructions (if applicable)

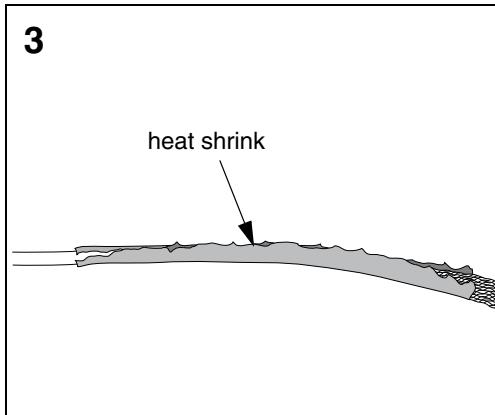
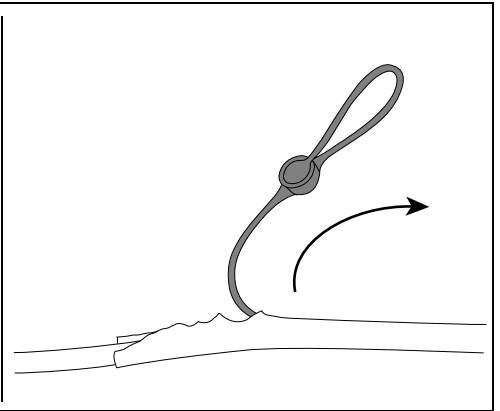
Pulling Eye Removal Instructions



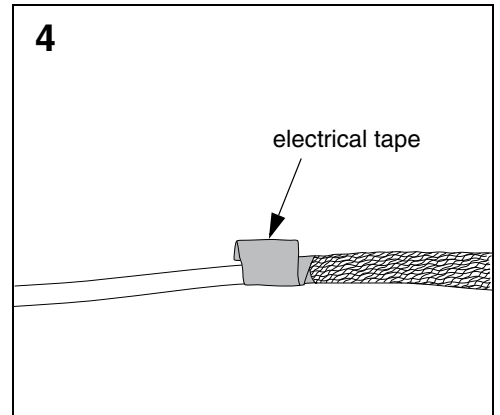
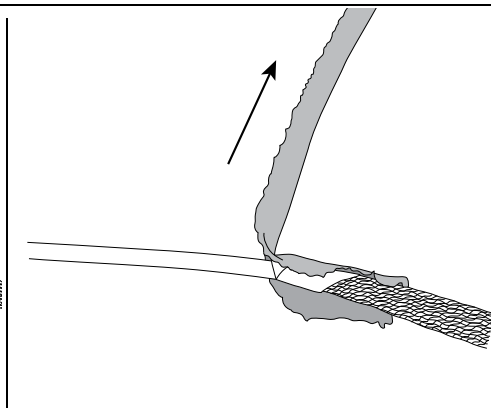
Close the loop on the nylon ripcord.



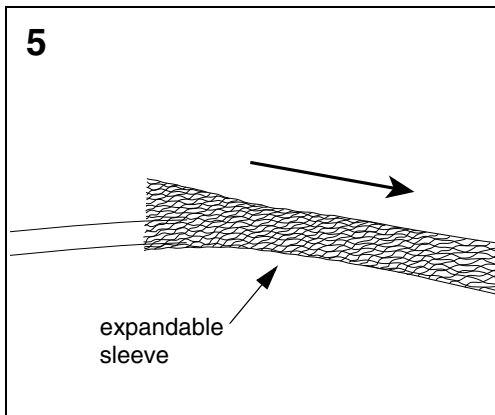
Pull the loop through the slot in the heat shrink towards the front of the assembly.



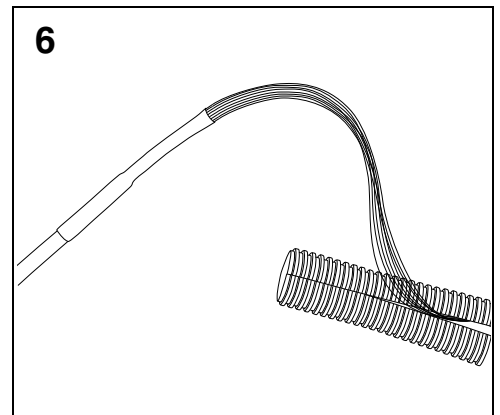
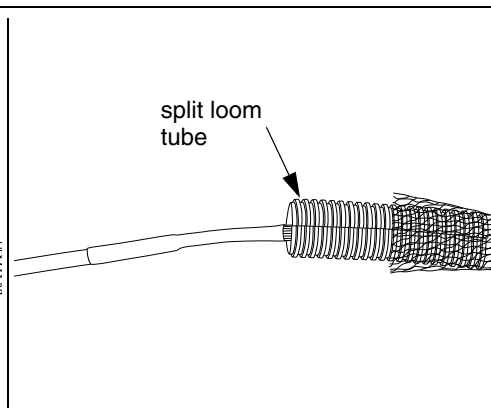
The heat shrink should split open. Remove the heat shrink.



Unwrap and remove the electrical tape (if present).



Slide the expandable sleeve over the split loom tube containing the connectors.



Carefully remove the split loom tube.