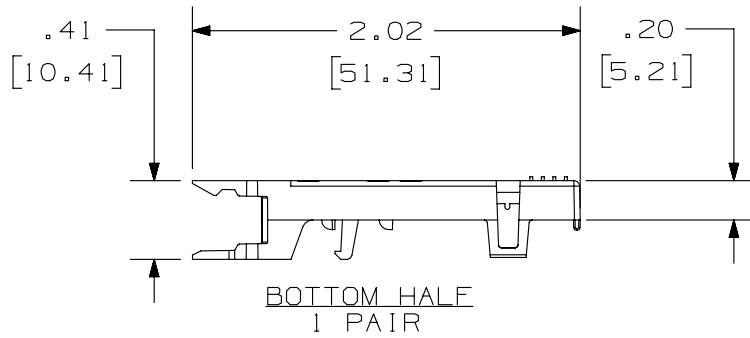
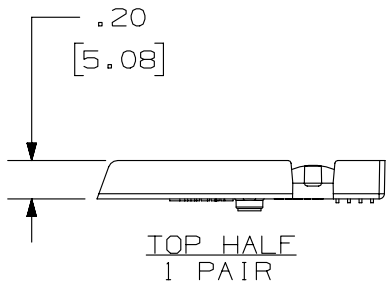


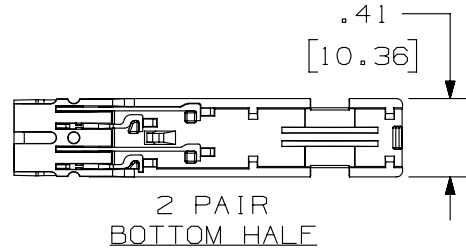
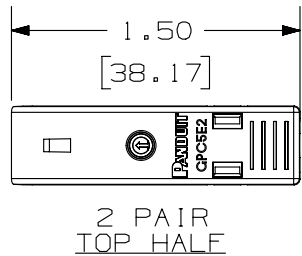
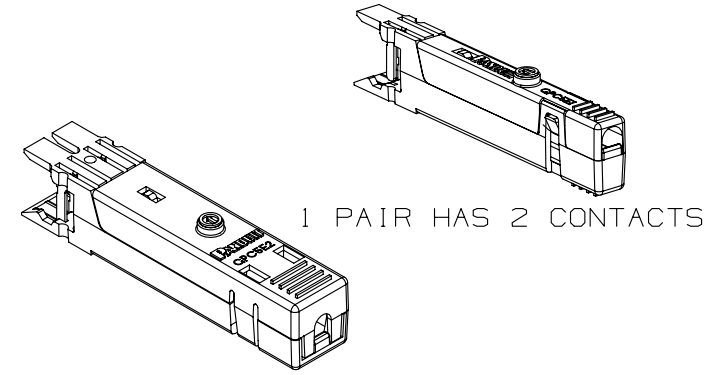
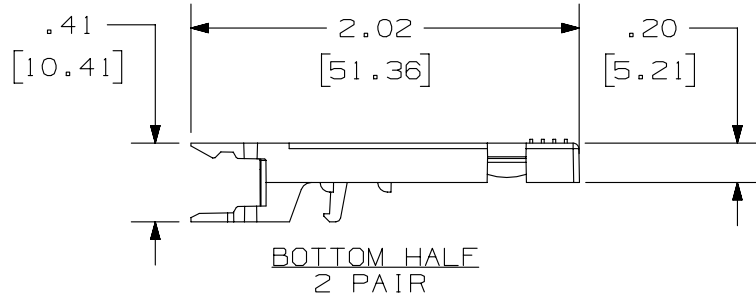
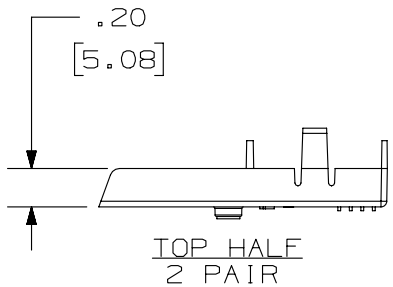
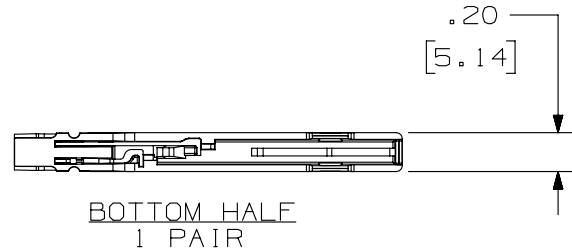
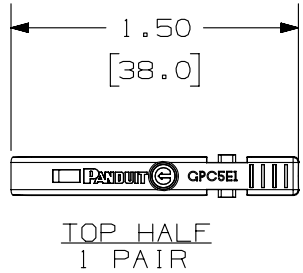
THIS COPY IS PROVIDED ON A RESTRICTED BASIS AND IS NOT TO BE USED IN ANY WAY DETRIMENTAL TO THE INTERESTS OF PANDUIT CORP.



PANDUIT P/N	WEIGHT
GPC5E1-XY	.21 LB/10 PCS (95.25 g/10 PCS)
GPC5E2-XY	.25 LB/10 PCS (113.4 g/10 PCS)

NOTES:

- SEE CURRENT CATALOG FOR ADDITIONAL PART NUMBER SUFFIXES TO INDICATE COLOR AND OR PACKAGE QUANTITY.
- SEE CATALOG FOR A COMPLETE LIST OF PARTS APPLICABLE FOR USE WITH THIS PART.
- DIMENSIONS IN [] ARE IN METRIC.
- CAP (TOP HALF) IS CLEAR.
- MATERIAL:
HOUSING- PC
CONTACT- PLATED PHOSPHOR BRONZE



PART NUMBER		GPC5E1-XY, GPC5E2-XY	
TITLE		1 PAIR, 2 PAIR GP6 PLUS PATCH CORD CONNECTORS	
CUSTOMER DRAWING			
ITEM REVISION NAME		M02479KY/00	
DATASET FILE NAME		M02479KY_DC286/00B	
UNLESS OTHERWISE SPECIFIED, DIMENSIONAL TOLERANCES ARE: IN [mm]		MATERIAL:	
.x ± .xxx ± .010 [.3]		DRAWING NUMBER:	
.xx ± .03 [.8] ANGLES ±		02479-286	
THIRD ANGLE PROJECTION		SHT 1 OF 1	
DRAWN BY	DATE	CHK	SCALE
TA	3-18-06	WJC	NONE
REV	DATE	BY	CHK
1	6/19/14	JSP	REFR
R	3-18-06	TA	WJC
APR	DESCRIPTION		ECN

REV	DATE	BY	CHK	APR	DESCRIPTION	ECN
1	6/19/14	JSP	REFR	MMR	A. REVISED DRAWING TITLE BLOCK.	02479-286
R	3-18-06	TA	WJC	RMD	RELEASED TO PRODUCTION	02479-286

D10100DA/14