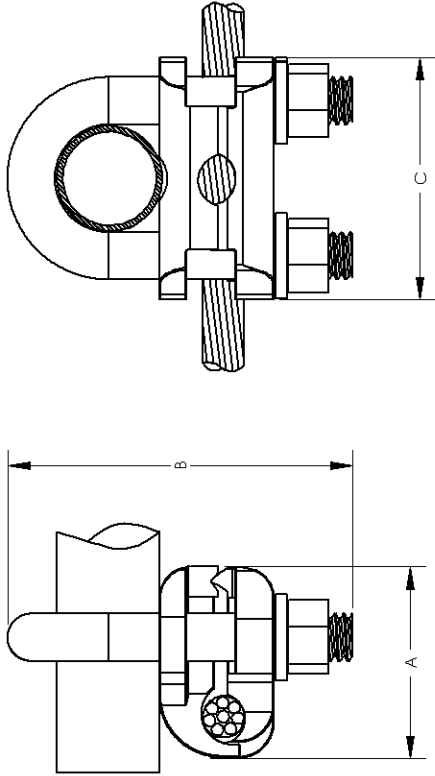


THIS COPY IS PROVIDED ON A RESTRICTED BASIS AND IS NOT TO BE USED IN ANY WAY DETRIMENTAL TO THE INTERESTS OF PANDUIT CORP.



PANDUIT PART NUMBER	ACCOMMODATES		CONDUCTOR RANGE	DIMENSIONS - IN [mm]						BOLT DIA
	ROD DIA	NOMINAL PIPE SIZE (IPS)		A		B		C		
				IN	MM	IN	MM	IN	MM	
GPL-4-Q	5/8" OR 3/4"	3/8"	#6 SOL. - #4 STR	1.38	34	2.75	70	2.00	51	0.38
GPL-5-Q	5/8" OR 3/4"	3/8"	#4 SOL. - 2/0 STR	1.63	41	2.75	70	2.00	51	0.38
GPL-6-Q	5/8" OR 3/4"	3/8"	2/0 SOL. - 250 kcmil	1.88	47	2.75	70	2.00	51	0.38
GPL-8-Q	7/8" OR 1"	1/2" OR 3/4"	# 8 SOL. - #4 STR	1.38	34	2.63	67	2.38	60	0.38
GPL-9-Q	7/8" OR 1"	1/2" OR 3/4"	#4 SOL. - 2/0 STR	1.63	41	2.63	67	2.38	60	0.38
GPL-10-Q	7/8" OR 1"	1/2" OR 3/4"	2/0 SOL. - 250 kcmil	1.88	47	3.00	76	2.38	60	0.38
GPL-14-X	-----	1"	#8 SOL. - #4 STR	1.38	34	2.75	70	2.63	67	0.38
GPL-15-X	-----	1"	#4 SOL. - 2/0 STR	1.63	41	2.75	70	2.63	67	0.38
GPL-16-X	-----	1"	2/0 SOL. - 250 kcmil	1.88	47	3.25	82	2.63	67	0.38
GPL-20-X	-----	1-1/4"	#8 SOL. - #4 STR	1.38	34	3.50	89	3.00	76	0.38
GPL-21-X	-----	1-1/4"	#4 SOL. - 2/0 STR	1.63	41	3.50	89	3.00	76	0.38
GPL-22-X	-----	1-1/4"	2/0 SOL. - 250 kcmil	1.88	47	3.50	89	3.00	76	0.38
GPL-26-X	-----	1-1/2"	#8 SOL. - #4 STR	1.38	34	4.00	102	3.25	82	0.38
GPL-27-X	-----	1-1/2"	#4 SOL. - 2/0 STR	1.63	41	4.00	102	3.25	82	0.38
GPL-28-X	-----	1-1/2"	2/0 SOL. - 250 kcmil	1.88	47	4.00	102	3.25	82	0.38
GPL-32-3	-----	2"	#8 SOL. - #4 STR	1.38	34	4.25	108	3.75	95	0.38
GPL-33-3	-----	2"	#4 SOL. - 2/0 STR	1.63	41	4.25	108	3.75	95	0.38
GPL-34-3	-----	2"	2/0 SOL. - 250 kcmil	1.88	47	4.25	108	3.75	95	0.38
GPL-38-3	-----	2-1/2"	#4 SOL. - 2/0 STR	1.63	41	5.00	127	4.25	108	0.38
GPL-40-3	-----	2-1/2"	2/0 SOL. - 250 kcmil	1.88	47	5.00	127	4.25	108	0.38
GPL-44-1	-----	3"	#8 SOL. - #4 STR	1.38	34	5.50	140	4.75	121	0.38
GPL-45-1	-----	3"	#4 SOL. - 2/0 STR	1.63	41	5.50	140	4.75	121	0.38
GPL-46-1	-----	3"	2/0 SOL. - 250 kcmil	1.88	47	5.50	140	4.75	121	0.38
GPL-51-1	-----	3-1/2"	#4 SOL. - 2/0 STR	1.63	41	6.25	158	5.25	133	0.38
GPL-52-1	-----	3-1/2"	2/0 SOL. - 250 kcmil	1.88	47	6.25	158	5.25	133	0.38
GPL-57-1	-----	4"	#4 SOL. - 2/0 STR	1.63	41	6.38	161	5.75	146	0.38
GPL-58-1	-----	4"	2/0 SOL. - 250 kcmil	1.88	47	6.38	161	5.75	146	0.38

NOTES:

1. MADE FROM HIGH COPPER CONTENT ALLOY. FURNISHED WITH FULL THREADED SILICON BOLT, NUTS, AND LOCKWASHERS
2. THESE CONNECTORS ARE UL LISTED FOR GROUNDING AND BONDING, AND DIRECT BURIAL APPLICATIONS
3. PKG QTY: -Q = 25
-X = 10



LISTED
SUITABLE FOR
DIRECT BURIAL

PANDUIT CORP. TINLEY PARK, ILLINOIS BRONZE GROUND CLAMP CONNECTOR - GPL SERIES CUSTOMER DRAWING		UNLESS OTHERWISE SPECIFIED, DIMENSIONAL TOLERANCES ARE: (XX) ± (XX) ± ANGLES ±		UNLESS OTHERWISE SPECIFIED, ALL DIMENSIONS ARE GIVEN IN INCHES, THIRD ANGLE PROJECTION	
JAC	09328	LA	06659	ED	SCALE NONE
LA	03704	LA	10/95	DATE	DRAWING NO / CAD FILE
PM	ECN	CHK'D	CUST	CHK'D	SIZE
					C41168_05
					B

REV	DATE	BY	CHK	DESCRIPTION
05	12/08	JHNU	JHNU	ADDED PACKAGING CODE TO PART NUMBERS
04	10/08	JHNU	JHNU	REVISED UL SYMBOL CONVERTED DRAWING TO SOLIDWORKS
03	11/02	CJW		ADDED GPL-16X, GPL-44-1, GPL-52-1, ADDED NEW UL SYMBOL REVISED MCM TO kcmil
02	2/01	SAB	SKB	ADDED ALL PACKAGING CODES AND NOTE 3
01	2/98	TM	WJB	UPDATED CHART
00	10/95	ED	RS	DRAWING RELEASED