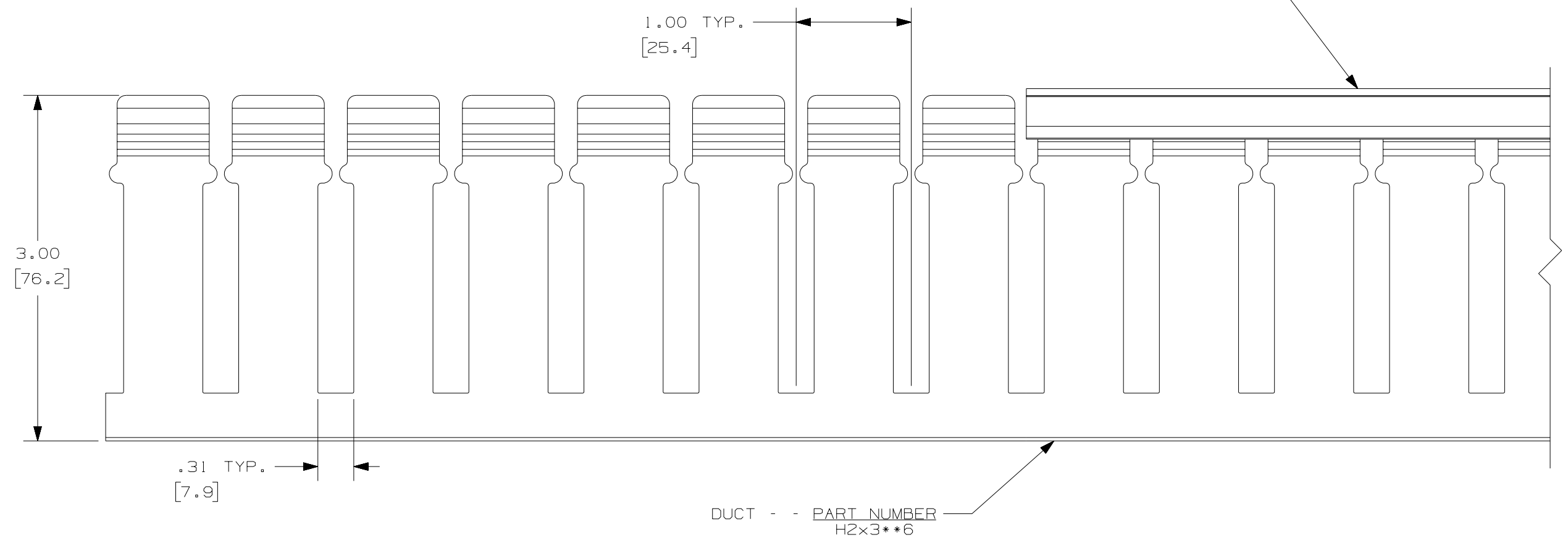
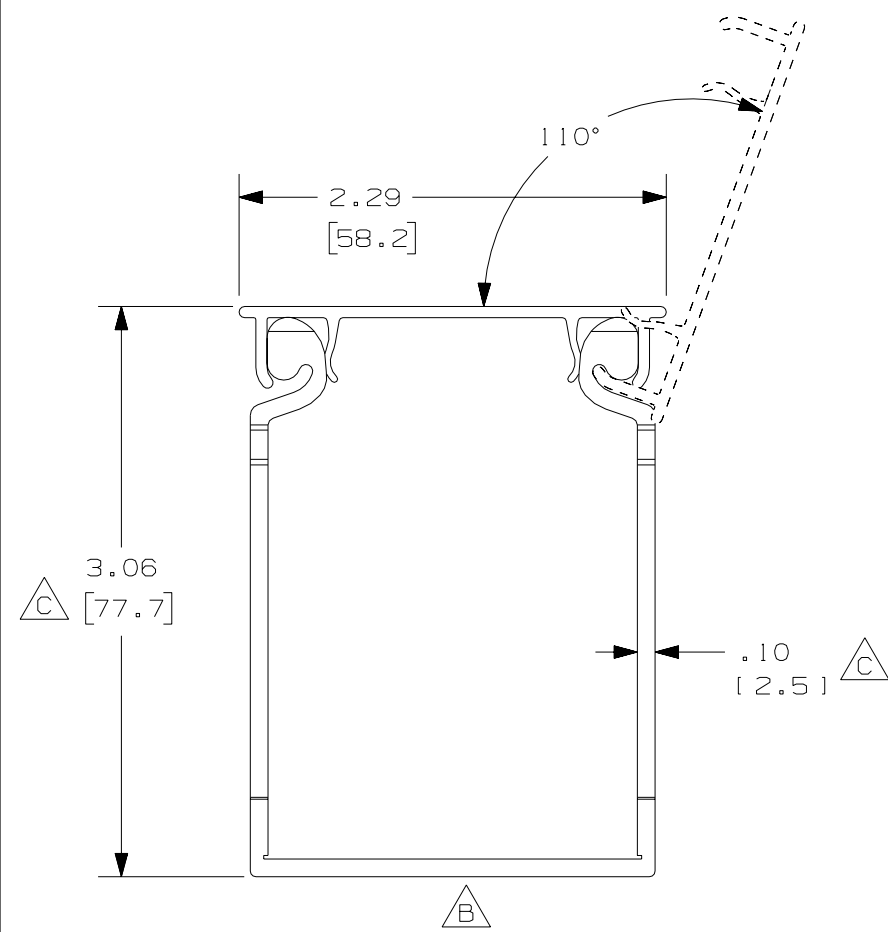
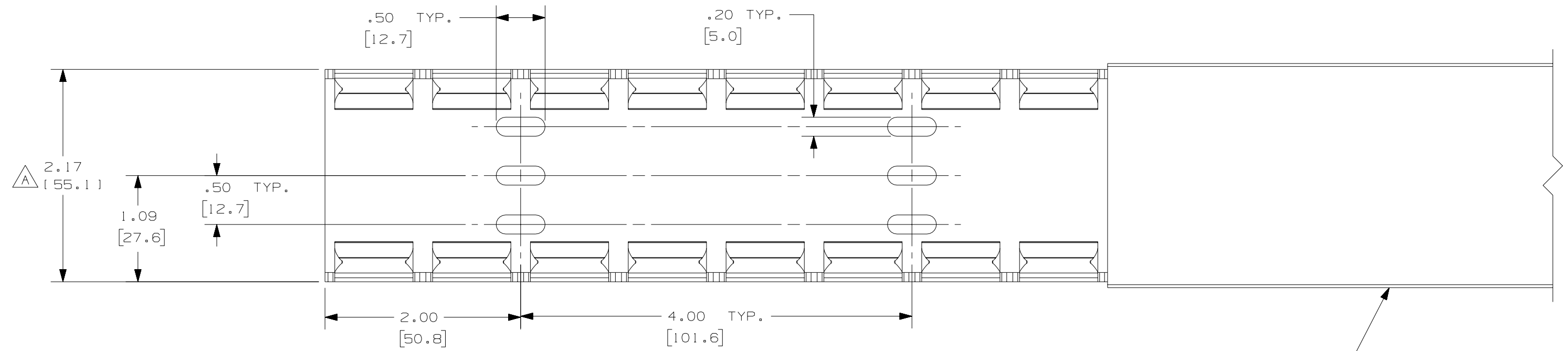


THIS COPY IS PROVIDED ON A RESTRICTED BASIS AND IS NOT TO BE USED IN ANY WAY DETRIMENTAL TO THE INTERESTS OF PANDUIT CORP.



△

NOTES:

1. ALL DIMENSIONS ARE REFERENCE ONLY.
2. DIMENSIONS IN PARENTHESIS ARE METRIC.
3. THE \*\* DENOTE COLOR.
4. DUCT AND COVER ARE AVAILABLE IN 6 FT [1828.8] LENGTHS.

REV	DATE	BY	CHK	DESCRIPTION
---	-----	--	--	D. ADDED LENGTH NOTE C. CORRECTED DIMENSIONS
I	8/3/07	JCSTMKBE		B. DELETED DIMENSION A. ADDED DIMENSION
R	1/14/05	JCSTMKBE		DRAWING RELEASED

CAD FILENAME/LAYERS		D110000P_DC_00B	
<b>PANDUIT</b>			
CORP. TINLEY PARK, ILLINOIS			
WIRING DUCT - TYPE H DUCT WITH COVER 2 X 3 MARKETING DRAWING			
DRWN BY JCST	MAT'L: PVC	SCALE FULL	DWG NO.
DATE 1/14/05	CHECKED BY MKBE	DRAWING NO. 36897-1026	SIZE C