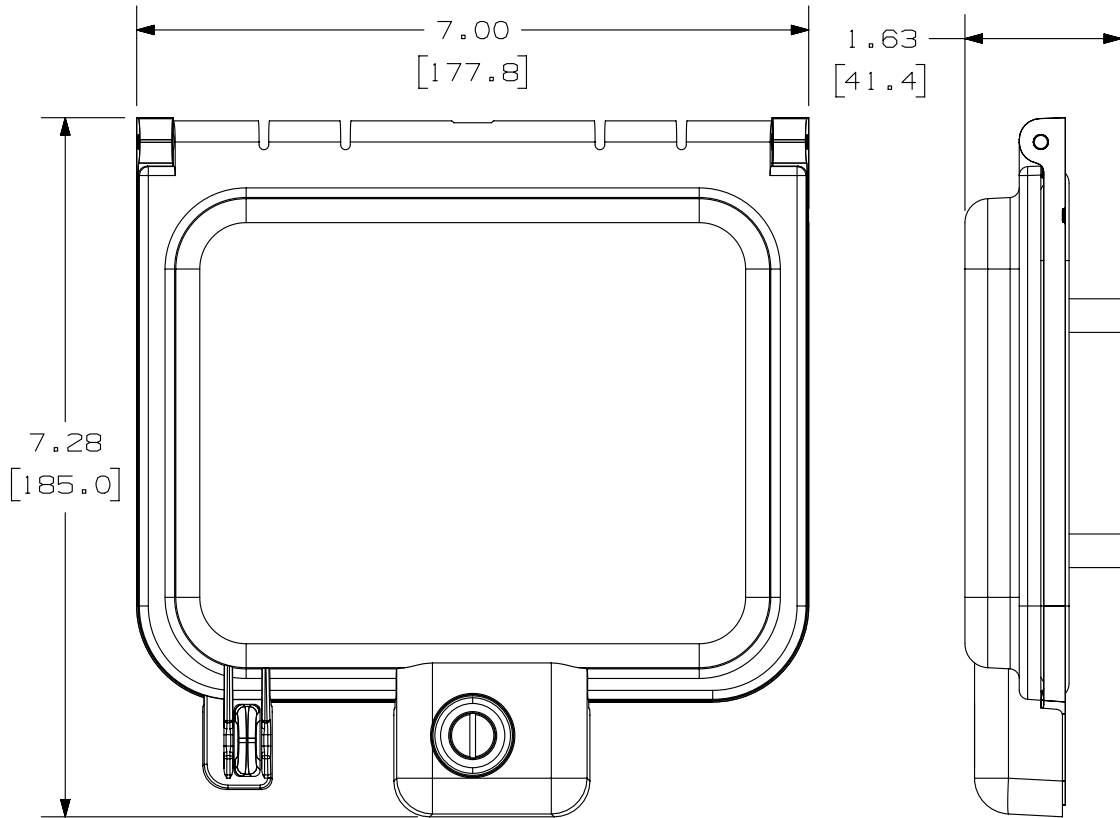


THIS COPY IS PROVIDED ON A RESTRICTED BASIS AND IS NOT TO BE USED IN ANY WAY DETRIMENTAL TO THE INTERESTS OF PANDUIT CORP.



PANDUIT P/N	WEIGHT
IAPNGWH	1.49 LB/EACH PC (675.6 g/EACH PC)

NOTES:

- SEE CURRENT CATALOG FOR ADDITIONAL PART NUMBER SUFFIXES TO INDICATE COLOR AND OR PACKAGE QUANTITY.
- SEE CATALOG FOR COMPLETE LIST OF PARTS APPLICABLE FOR USE WITH THIS PART.
- DIMENSIONS IN [] ARE IN METRIC.
- PART INCLUDES:
 - 1- INDUSTRIALNET DATA ACCESS PORT
 - 1- NORTH AMERICAN FACEPLATE
 - 1- 1/4-20 MOUNTING SCREW KIT (INCLUDES 4 SCREWS AND 4 HEX FLANGE NUTS WITH PAINT PIERCING SERRATIONS)
 - 1- #6-32 OUTLET MOUNTING SCREW KIT (INCLUDES 2 #6-32 TRILOBULAR SCREWS)
 - 1- 15 AMP GFCI DUPLEX RECEPTACLE
 - 3- PANDUIT 1/3 FLAT BLANK INSERT (IAPHB2MWH-X)
- OPTIONAL LABELS AVAILABLE

RECOMMENDED INSERTS	
2 POSITION 1/3 INSERT	IAPHF2MWH-X
BLANK 1/3 INSERT	IAPHB2MWH-X
BLANK MODULE	IAPCMBWH-X

PART NUMBER		SEE CHART	
TITLE			
INDUSTRIALNET ACCESS PORT WITH GFCI RECPTACLE			
CUSTOMER DRAWING			
ITEM REVISION NAME		M03063AF/02	
DATASET FILE NAME		M03063AF_DC/02C	
UNLESS OTHERWISE SPECIFIED, DIMENSIONAL TOLERANCES ARE: IN [mm]		MATERIAL:	
.x ± .xxx ± .010 [.3]		BASE: ALUMINUM FACEPLATE: ABS COVER: POLYCARBONATE	
.xx ± .03 [.8] ANGLES ±			
DRAWING NUMBER:		03063-31	
DRAWN BY	DATE	CHK	SCALE
JSP	2-4-09	JCO	NONE
SHT 1 OF 2		SIZE	
		A	

REV	DATE	BY	CHK	APR	DESCRIPTION	ECN
4	5-17-14	TA	REFR	REFR	REVISED TITLE BLOCK REVISED AND REDRAWN WITH THE LATEST REV INFORMATION	03063-31

D10100DA/14

2

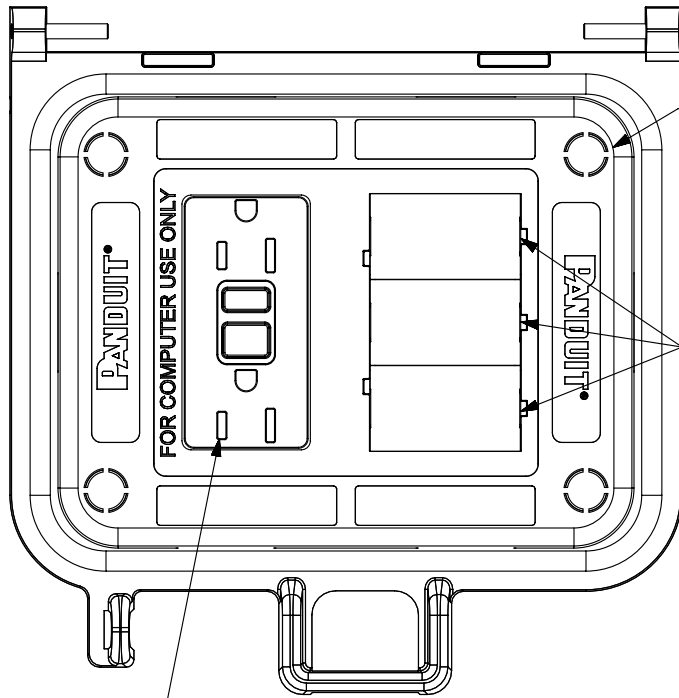
1

2

1

THIS COPY IS PROVIDED ON A RESTRICTED BASIS AND IS NOT TO BE USED IN ANY WAY DETRIMENTAL TO THE INTERESTS OF PANDUIT CORP.

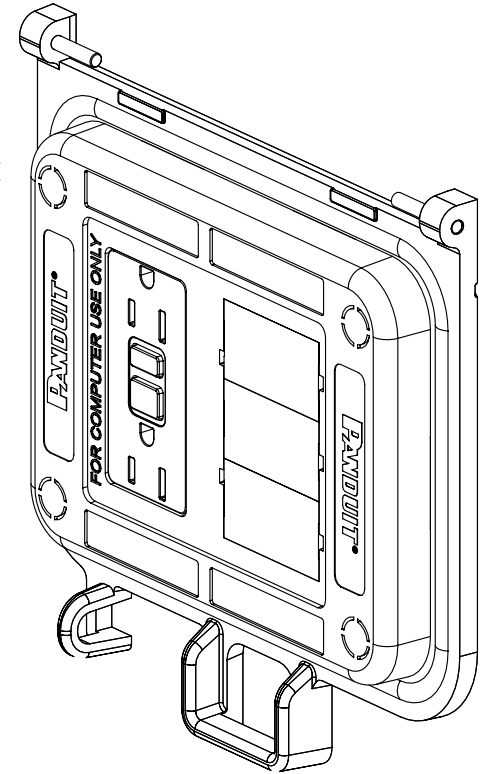
VIEWS SHOWN WITH ALL COMPONENTS INSTALL.
COVER REMOVED FOR CLARITY.

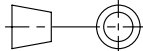


INDUSTRIALNET DATA
ACCESS PORT FACEPLATE

PANDUIT 1/3 FLAT
BLANK INSERT

15 AMP GFCI
DUPLEX OUTLET



PART NUMBER		I APNGWH		
TITLE				
INDUSTRIALNET ACCESS PORT WITH GFCI RECEPTACLE				
CUSTOMER DRAWING				
ITEM REVISION NAME		M03063AF/02		
DATASET FILE NAME		M03063AF_DC/02C		
UNLESS OTHERWISE SPECIFIED, DIMENSIONAL TOLERANCES ARE: IN (mm)				PANDUIT
.x ±		.xxx ± .010 (.3)		
.xx ± .03 (.8)		ANGLES ± 1		SEE SHEET 1 OF 2
 THIRD ANGLE PROJECTION				DRAWING NUMBER:
				03063-31
DRAWN BY	DATE	CHK	SCALE	SIZE
JSP	2-4-09	JCO	NONE	A

REV	DATE	BY	CHK	APR	DESCRIPTION	ECN
04	5-17-14	TA	REFR	REFR	SEE SHEET 1 FOR REVISION HISTORY	03063-31

D10100DA/14