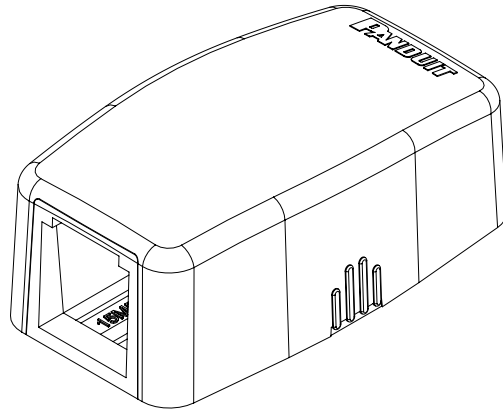
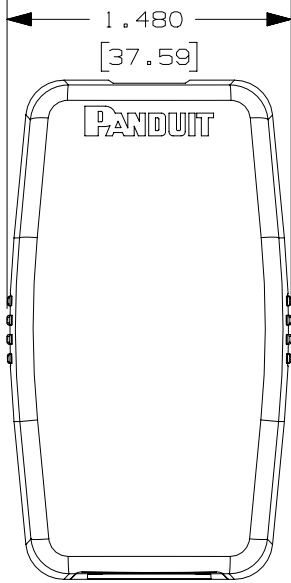


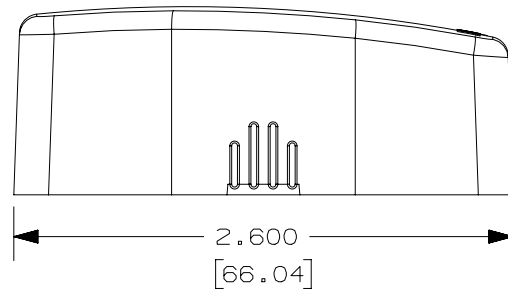
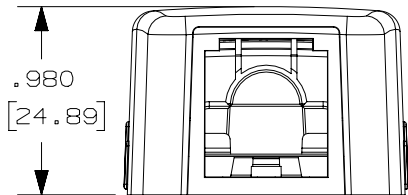
THIS COPY IS PROVIDED ON A RESTRICTED BASIS AND IS NOT TO BE USED IN ANY WAY DETRIMENTAL TO THE INTERESTS OF PANDUIT CORP.


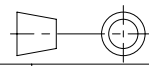


PANDUIT P/N	WEIGHT
JQ010000	.45 LB/10 PCS
JQ010000BL	204.7 g/10 PCS

NOTES:

- SEE CURRENT CATALOG FOR ADDITIONAL PART NUMBER SUFFIXES TO INDICATE COLOR AND OR PACKAGE QUANTITY.
- SEE CATALOG FOR A COMPLETE LIST OF PARTS APPLICABLE FOR USE WITH THIS PART.
- DIMENSIONS IN PARENTHESES ARE IN METRIC.
- BREAKOUTS DESIGNED TO ACCEPT LD3/LDPH3 RACEWAY. (DOES NOT ENTER BOX.)
- INCLUDED WITH BOX KIT:
 - (1) BOX COVER
 - (1) BOX BASE
 - (1) PLT1M PAN-TY
 - (1) MAGNET (ATTACHED)

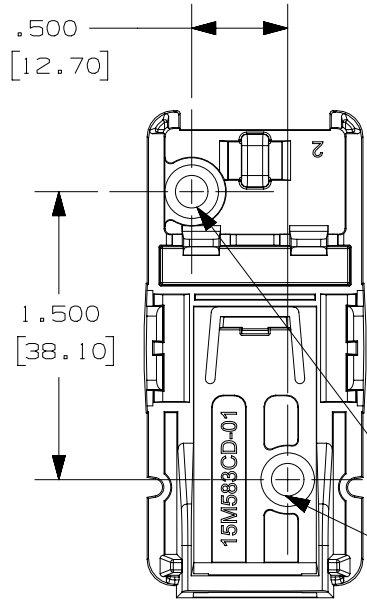


PART NUMBER		SEE TABLE	
TITLE			
MINI-COM 1 POSITION BOX KIT			
CUSTOMER DRAWING			
ITEM REVISION NAME		15M583CF/16	
DATASET FILE NAME		15M583CF_DC02/16A	
UNLESS OTHERWISE SPECIFIED, DIMENSIONAL TOLERANCES ARE: IN (mm)			
.X ± .XX ±			
.XXX ± ANGLES ±		MATERIAL:	
		SEE NOTES	
DRAWN BY		DRAWING NUMBER:	
BJN		15M583CF - 02	
DATE		SHT 1 OF 2	
4-1-16		A	
CHK		SCALE	
JCO		NONE	

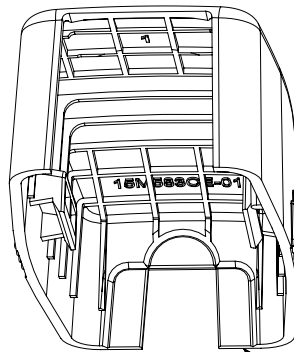
REV	DATE	BY	CHK	APR	DESCRIPTION	ECN
R	4-1-16	BJN	JCO	MMR	RELEASED TO PRODUCTION	15M583CF-02

D101000DA/14

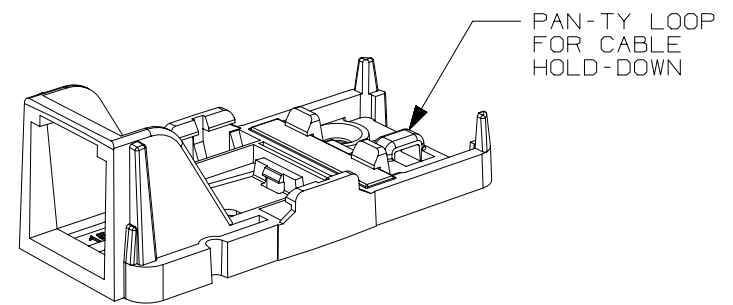
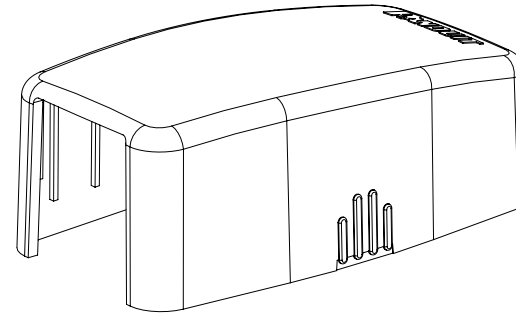
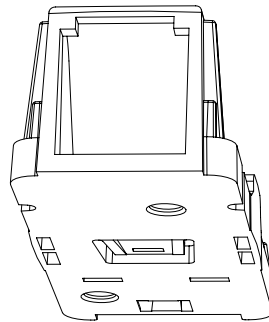
THIS COPY IS PROVIDED ON A RESTRICTED BASIS AND IS NOT TO BE USED IN ANY WAY DETRIMENTAL TO THE INTERESTS OF PANDUIT CORP.



MOUNTING HOLES FOR #6 COUNTERSUNK SCREW (NOT INCLUDED)



BREAKOUT AREA



PART NUMBER		SEE TABLE	
TITLE			
MINI-COM 1 POSITION BOX KIT			
CUSTOMER DRAWING			
ITEM REVISION NAME		15M583CF/16	
DATASET FILE NAME		15M583CF_DC02/16A	
UNLESS OTHERWISE SPECIFIED, DIMENSIONAL TOLERANCES ARE: IN (mm)		MATERIAL:	
.X ±		.XXX ±	
.XX ±		ANGLES ±	
		THIRD ANGLE PROJECTION	
DRAWN BY		DATE	
BJN		4-1-16	
CHK		SCALE	
JCO		NONE	
DRAWING NUMBER:		SHT 2 OF 2	
15M583CF - 02		A	

REV	DATE	BY	CHK	APR	DESCRIPTION	ECN
R	4-1-16	BJN	JCO	MMR	SEE SHEET 1 FOR REVISION HISTORY	15M583CF-02

D10100DA/14