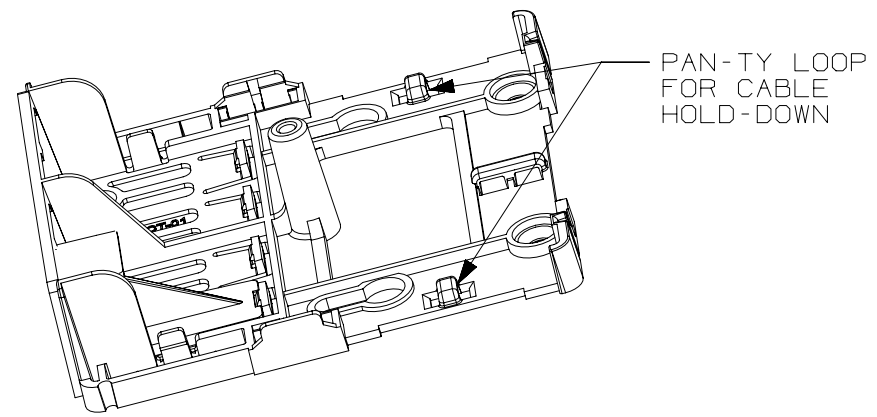
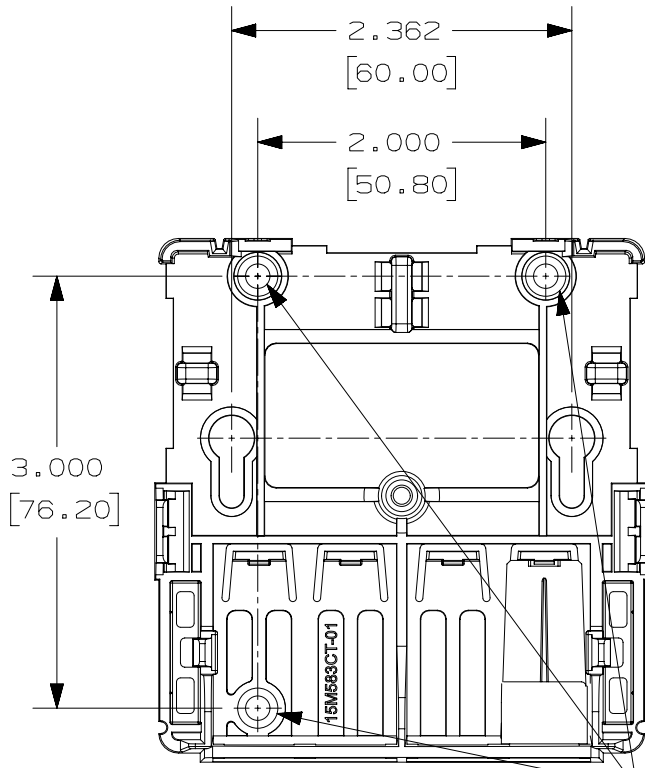


THIS COPY IS PROVIDED ON A RESTRICTED BASIS AND IS NOT TO BE USED IN ANY WAY DETRIMENTAL TO THE INTERESTS OF PANDUIT CORP.



MOUNTING HOLES FOR #6 COUNTERSUNK SCREW (NOT INCLUDED)

PART NUMBER		SEE TABLE	
TITLE			
MINI-COM 3 PORT BOX W/ QUICK RELEASE COVER			
CUSTOMER DRAWING			
ITEM REVISION NAME		15M583CV/08	
DATASET FILE NAME		15M583CV_DC02/08A	
UNLESS OTHERWISE SPECIFIED, DIMENSIONAL TOLERANCES ARE: IN (mm)		MATERIAL:	
.X ±		.XXX ±	
.XX ±		ANGLES ±	
		THIRD ANGLE PROJECTION	
DRAWN BY		DATE	
BJN		4-5-16	
CHK		SCALE	
JCO		NONE	
DRAWING NUMBER:		SHT 2 OF 2	
15M583CV-02		A	

REV	DATE	BY	CHK	APR	DESCRIPTION	ECN
R	4-11-16	BJN	JCO	MMR	SEE SHEET 1 FOR REVISION HISTORY	15M583CV-02

D10100DA/14

2

1

2

1