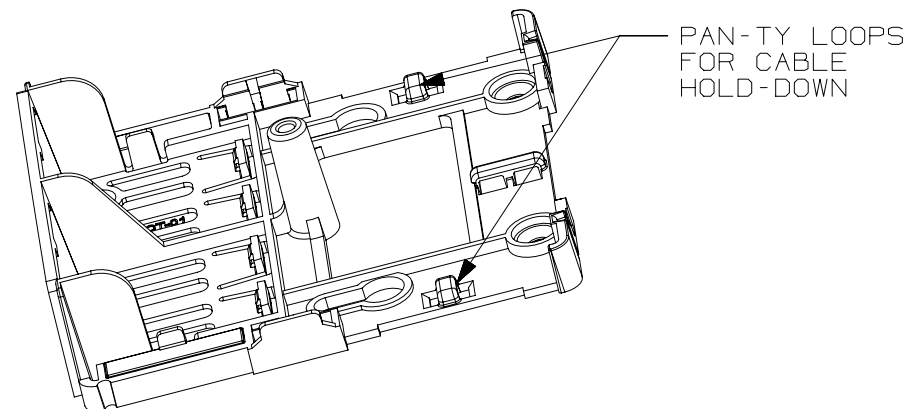
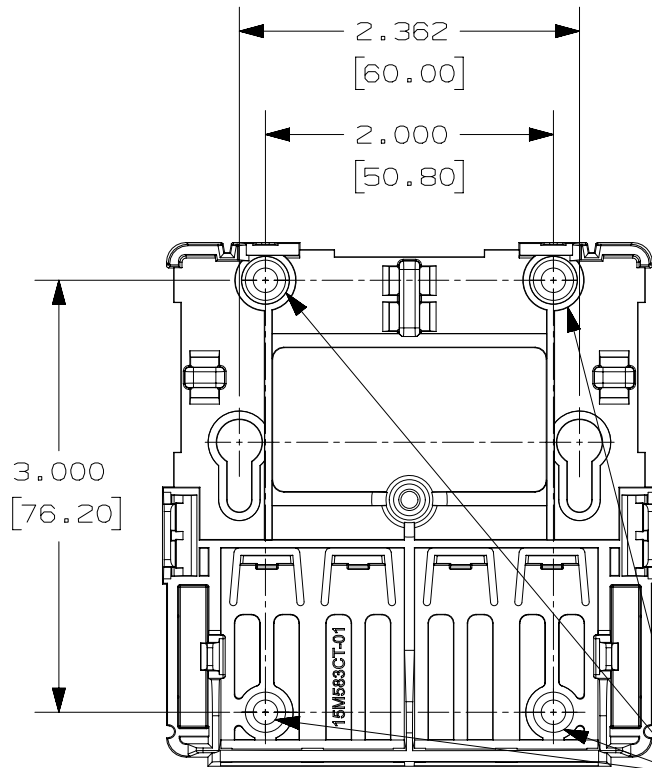



THIS COPY IS PROVIDED ON A RESTRICTED BASIS AND IS NOT TO BE USED IN ANY WAY DETRIMENTAL TO THE INTERESTS OF PANDUIT CORP.



MOUNTING HOLES FOR #6 COUNTERSUNK SCREW (NOT INCLUDED)

| | | | | |
|---|---------|-------------------|-------|---|
| PART NUMBER | | SEE TABLE | | |
| TITLE | | | | |
| MINI-COM 4 PORT SHUTTERED CAT 6A SURFACE MOUNT BOX KIT CUSTOMER DRAWING | | | | |
| ITEM REVISION NAME | | 15M583CV/08 | | |
| DATASET FILE NAME | | 15M583CV_DC09/08A | | |
| UNLESS OTHERWISE SPECIFIED, DIMENSIONAL TOLERANCES ARE: IN (mm) | | | |  PANDUIT |
| .X ± | | .XXX ± | | |
| .XX ± | | ANGLES ± | | SEE NOTES |
| DRAWING NUMBER: | | | | 15M583CV-09 |
| DRAWN BY | DATE | CHK | SCALE | SIZE |
| TWV | 7-19-16 | JCO | NONE | A |
| SHT 2 OF 2 | | | | |

| REV | DATE | BY | CHK | APR | DESCRIPTION | ECN |
|-----|---------|-----|-----|-----|----------------------------------|-------------|
| R | 7-19-16 | TWV | JCO | MMR | SEE SHEET 1 FOR REVISION HISTORY | 15M583CV-09 |

D10100DA/14

2

1

2

1