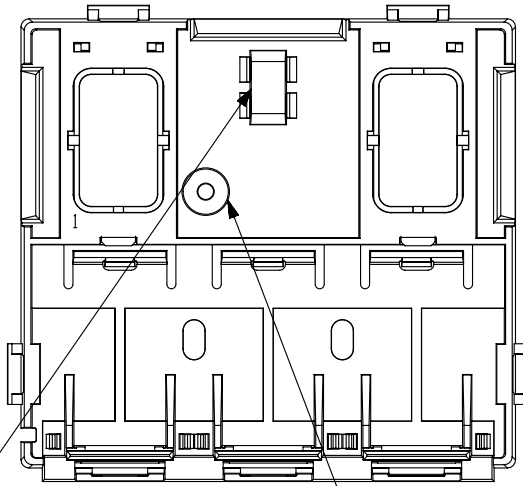


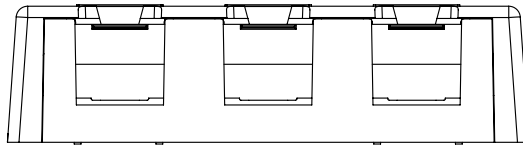
THIS COPY IS PROVIDED ON A RESTRICTED BASIS AND IS NOT TO BE USED IN ANY WAY DETRIMENTAL TO THE INTERESTS OF PANDUIT CORP.

COVER REMOVED FOR CLARITY



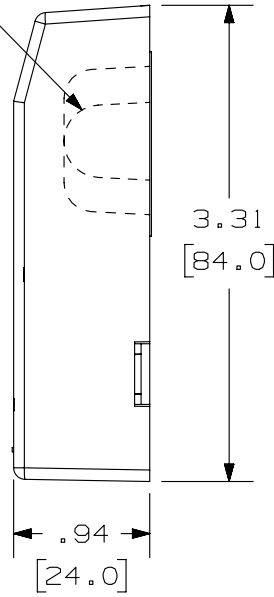
PAN-TY LOOPS FOR CABLE HOLD-DOWNS

POST FOR TAMPER RESISTANT SCREW



3.62  
[92.0]

BREAKOUT AREA (3 PLACES)

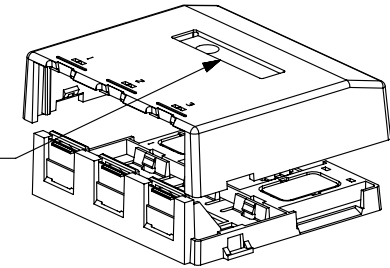


LABEL HOLDER/ SECURITY SCREW PLACEMENT

PANDUIT P/N	WEIGHT
JOS36ATG00	1.73 LB/10 PCS
JOS36ATG00BL	(784.7 g/10 PCS)

NOTES:

- SEE CURRENT CATALOG FOR ADDITIONAL PART NUMBER SUFFIXES TO INDICATE COLOR AND OR PACKAGE QUANTITY.
- SEE CATALOG FOR A COMPLETE LIST OF PARTS APPLICABLE FOR USE WITH THIS PART.
- DIMENSIONS IN [ ] ARE IN METRIC.
- BREAKOUTS DESIGNED TO ACCEPT LD3/LDP3 AND LD5/LDP5 RACEWAY.
- BOX INCLUDES:
  - 1- BOX BASE
  - 1- BOX COVER
  - 2- PLT1.5I-M PAN-TY
  - 1- LABEL/ LABEL COVER
  - 1- MOUNTING SCREW (USED TO SECURE COVER TO BASE)
  - 2- MAGNET (ATTACHED) (CSBM-X)
  - 3- MINI-COM™ TX6A 10GIG JACK MODULE
- BASE MATERIAL THICKNESS= .090 [ 2.29 ]



PART NUMBER JOS36ATG00, JOS36ATG00BL		PRODUCT SPEC/PKG SPEC N/A	
I.I. NUMBER N/A		WORK INSTRUCTION N/A	
TITLE <b>MINI-COM 3 POSITION SHUTTERED SURFACE MOUNT BOX KIT</b> CUSTOMER DRAWING			
ITEM REVISION NAME M00742KE/00		<b>PANDUIT</b>	
DATASET FILE NAME M00742KE_DC/00A			
UNLESS OTHERWISE SPECIFIED, DIMENSIONAL TOLERANCES ARE: IN [ mm ]		MATERIAL: BOX: ABS DOORS: PC	
.x ± .1 [ 2.54 ]      .xxx ± .005 [ .127 ] .xx ± .01 [ .25 ]      ANGLES ± 5 °		DRAWING NUMBER: 00742KE-01	
DRAWN BY JSP		DATE 6/25/13	
CHK MBVE		SCALE NONE	
REV		SHT 1 OF 1	
DATE		SIZE A	
BY			
CHK			
APR			
DESCRIPTION		ECN	
RELEASED TO PRODUCTION		00742KE-01	

D101000DA/14