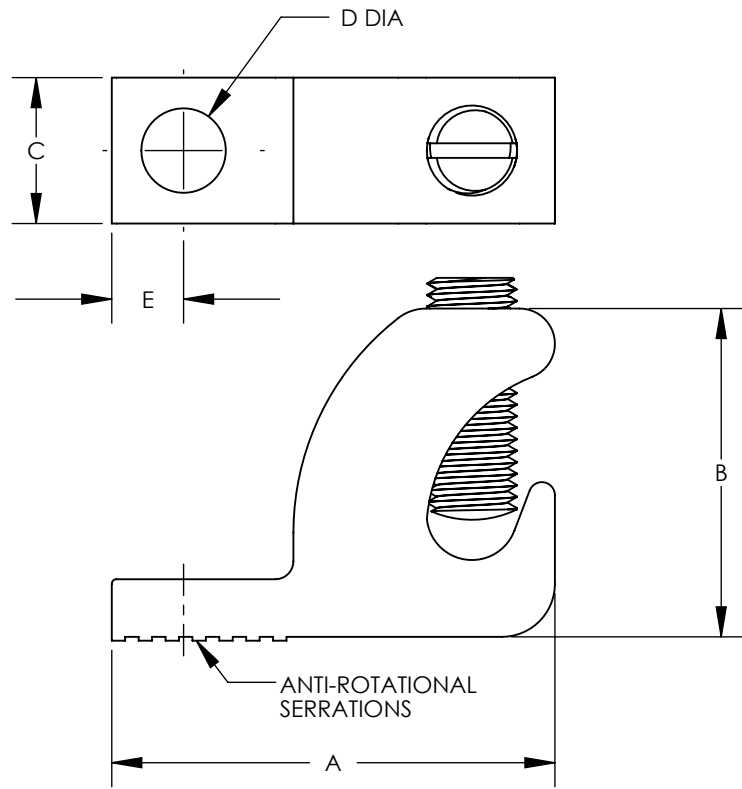
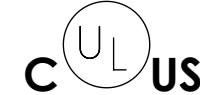


THIS COPY IS PROVIDED ON A RESTRICTED BASIS AND IS NOT TO BE USED IN ANY WAY DETRIMENTAL TO THE INTERESTS OF PANDUIT CORP.



NOTES:

- 1. DIMENSIONS ARE IN INCHES. DIMENSIONS IN BRACKETS ARE MILLIMETERS.
- 2. UL LISTED & UL LISTED FOR USE IN CANADA.
- 3. DUAL RATED CU9AL FOR ALUMINUM OR COPPER CONDUCTORS (LIAC4-22-C, LIAS1/0-14-L, & LIAS250-56-Q ONLY).
- 4. RATED FOR DIRECT BURIAL APPLICATIONS (LICC4-22-C & LICC4-22TP-C ONLY).
- 5. ANTI-OXIDANT JOINT COMPOUND RECOMMENDED.
- 6. PACKAGE QTY:
 Q = 25
 L = 50
 C = 100



DB RATED
 (LICC4-22-C, LICC4-22TP-C ONLY)

PANDUIT PART NUMBER	MATERIAL	WIRE RANGE	SCREW TYPE	DIMENSIONS - IN [mm] +/- .02 [.5]					TIGHTENING TORQUE	PKG. QTY.
				A	B	C	STUD HOLE D DIA	E		
LICC4-22-C	COPPER	14 - 4 CU AWG	1/4-28 SLOTTED STAINLESS STEEL	1.16 [29.5]	.87 [22.1]	.39 [9.9]	#12 .22 [5.6]	.19 [4.7]	#14 - #10 = 20 IN-LB #8 = 25 IN-LB #6 - #4 = 35 IN-LB	100
LICC4-22TP-C	COPPER, TIN PLATED	14 - 4 CU AWG	1/4-28 SLOTTED STAINLESS STEEL	1.16 [29.5]	.87 [22.1]	.39 [9.9]	#12 .22 [5.6]	.19 [4.7]		100
LIAC4-22-C	ALUMINUM, TIN PLATED	14 - 4 CU/AL AWG	1/4-28 SLOTTED STAINLESS STEEL	1.06 [26.9]	.78 [19.8]	.39 [9.9]	#12 .22 [5.6]	.19 [4.7]		100
LIAS1/0-14-L	ALUMINUM, TIN PLATED	14 - 1/0 CU/AL AWG	3/8-24 SLOTTED STEEL, ZINC PLATED	1.50 [38.1]	1.10 [27.9]	.61 [15.5]	1/4" .27 [6.9]	.30 [7.6]	#14 - #10 = 35 IN-LB #8 = 40 IN-LB #6 - #4 = 45 IN-LB #3 - #1/0 = 50 IN-LB	50
LIAS250-56-Q	ALUMINUM, TIN PLATED	6 - 250 kcmil CU/AL AWG	1/2-18 W/ 1/4" HEX KEY STEEL, ZINC PLATED	2.20 [55.9]	1.70 [43.2]	.80 [20.3]	5/16" .33 [8.4]	.40 [10.2]		200 IN-LB

							TITLE	COPPER & ALUMINUM LAY-IN LUG CONNECTORS			
							CUSTOMER DRAWING				
							ITEM REVISION NAME	10J018AY/04			
							DATASET FILE NAME	10J018AY-JC/04.SLDDRW			
							UNLESS OTHERWISE SPECIFIED, DIMENSIONAL TOLERANCES ARE: IN [mm]				
							.X ±	.XXX ±			
							.XX ± .02 [.5]	ANGLES ±			
04	6/14	JHNU	JHNU	RGB	REMOVED UL PENDING NOTE RELATING TL LIAS250-56 REVISED TITLE BLOCK			10J018AY-JC			
REV	DATE	BY	CHK	APR	DESCRIPTION		ECN				
							DRAWN BY	DATE	CHK	SCALE	DRAWING NUMBER
							JHNU	2/11	RGB	N/A	10J018AY-JC
							SHEET 1 OF 1			SIZE	
										B	