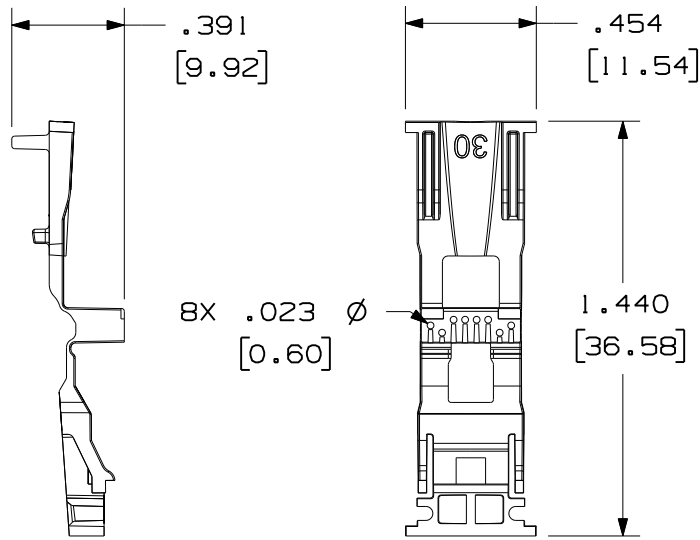


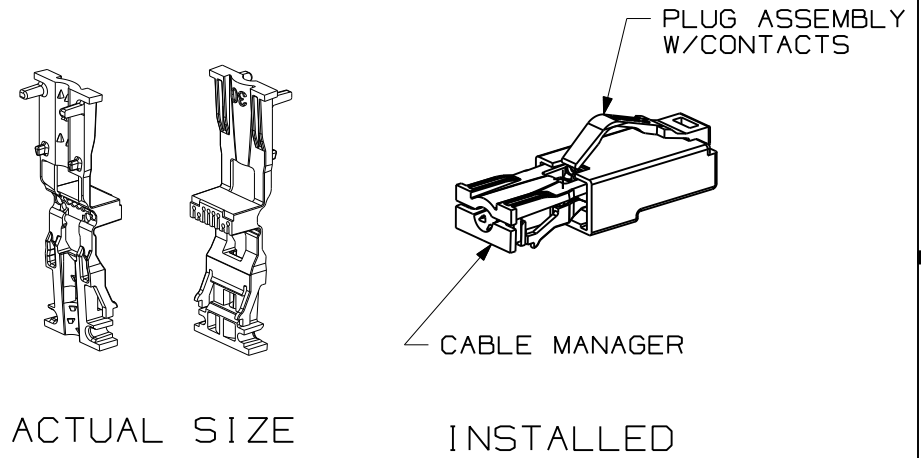
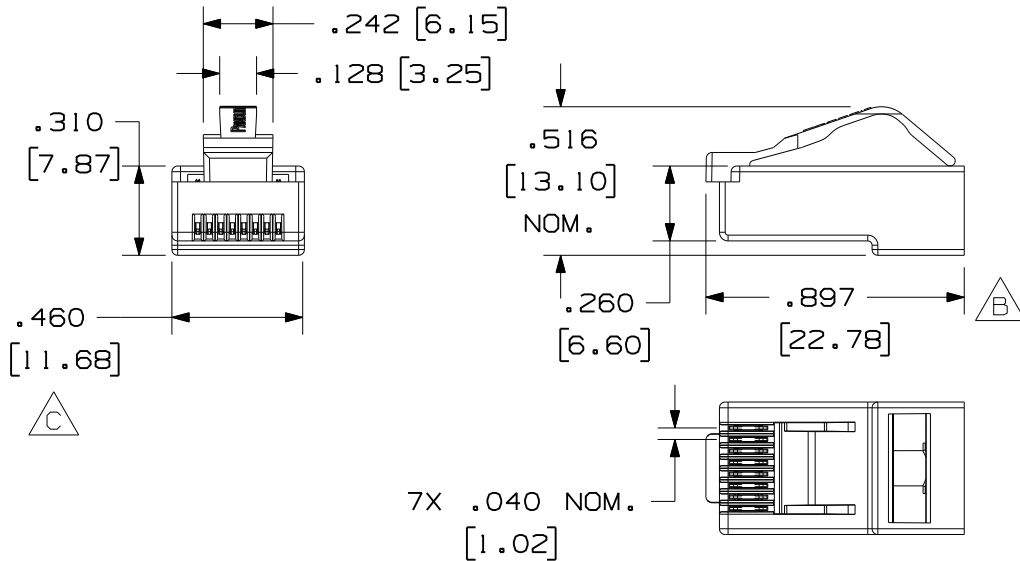
THIS COPY IS PROVIDED ON A RESTRICTED BASIS AND IS NOT TO BE USED IN ANY WAY DETRIMENTAL TO THE INTERESTS OF PANDUIT CORP.



PART NUMBER	WEIGHT (LBS)
MP530-*	.038 LB/10 PCS (17.3 g/10 PCS)

NOTES:

1. MATERIAL: HOUSING, ADAPTER - THERMOPLASTIC UL94V-0 RATED; CONTACT TERMINAL - PHOSPHOR BRONZE ELECTRO-POLISHED AND PLATED WITH .000050" MIN. GOLD IN PLATING AREA, GOLD FLASH OVER REMAINDER, .000100" MIN. NICKEL UNDERPLATE.
2. PLUG ACCEPTS 4 PAIR CABLE .122"-.130" DIAMETER WITH 30 AWG STRANDED CONDUCTORS WITH A MAXIMUM INSULATION DIAMETER OF .021".
3. MEETS DIMENSIONAL REQUIREMENTS OF FCC PART 68 AND IEC60603-7. ALL DIMENSIONS MAXIMUM UNLESS OTHERWISE SPECIFIED.
4. TERMINAL CONTACT HEIGHT DIMENSION: .237±.005".
5. SEE CURRENT CATALOG FOR ADDITIONAL PART NUMBER SUFFIXES TO INDICATE PACKAGE QUANTITY.



MODEL FILENAME	10M208BC/04 ^A	SIZE	A
DRAWING FILENAME	10M208BC_DC02/04B		
PAN-PLUG 30AWG CATEGORY 5e MODULAR PLUGS CUSTOMER DRAWING			
 TINLEY PARK, IL 60487		I.I. NUMBER	
		PRODUCT SPEC/ PKG SPEC	
 THIRD ANGLE PROJECTION		ASSY METHOD/ TEST METHOD	
		SCALE NONE	
DRAWN BY BJJ		REVIEW DRAWING NUMBERS	
DATE 3-8-11		PART NO. SEE TABLE	
CHK'D KSM		DRAWING NO. 10M208BC-02	
SEE NOTE 1			

REV	DATE	BY	CHK	DESCRIPTION	ECN	R	CUST	SUP	OTH
2	11-16-11	BJJ	KSM	C. CORRECTED WIDTH TO .460 B. ADDED OVERALL LENGTH DIM.	10M208BC-02	KSM	EJH		
1	10-10-11	BJJ	WFMI	A. UPDATED MODEL TO REVISION 04	10M208BC-02	WFMI	EJH		
R	3-8-11	BJJ	KSM	RELEASED TO PRODUCTION	10M208BC-02		SASK		