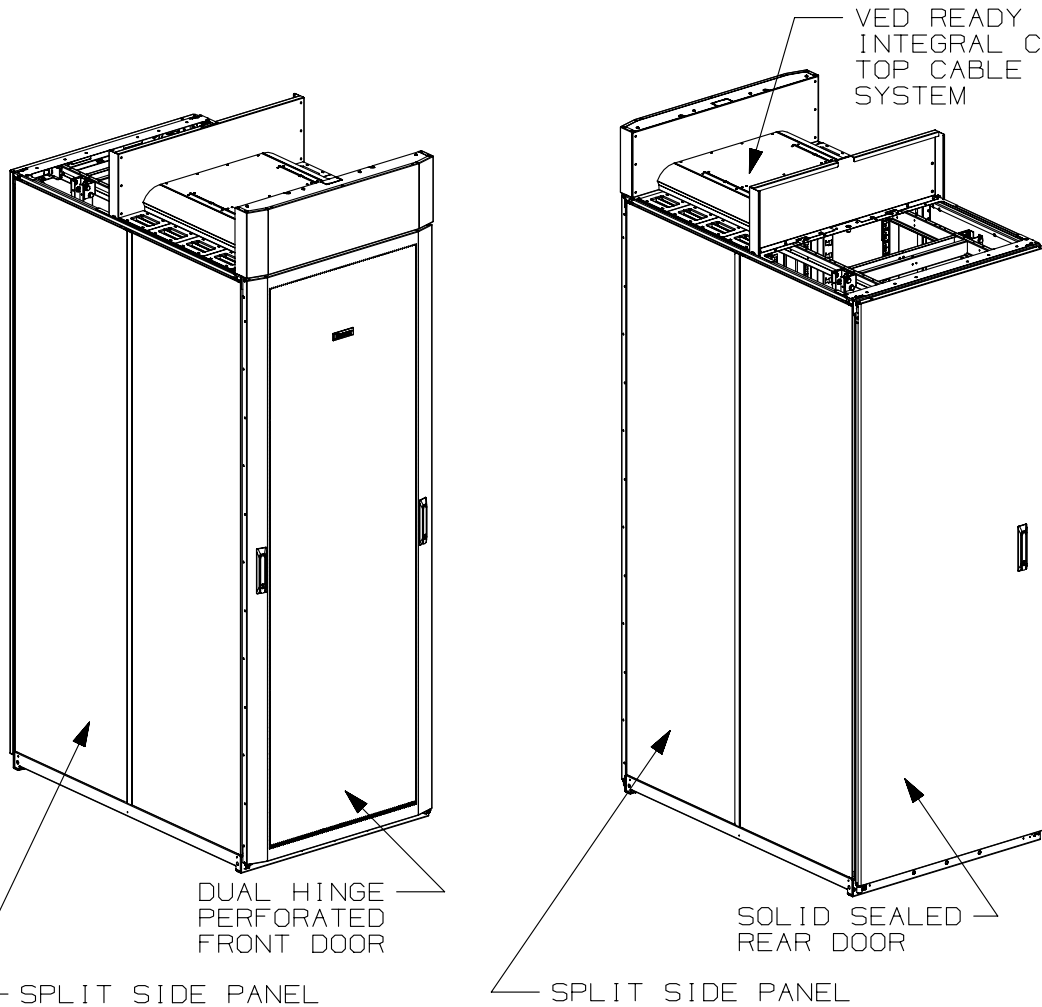


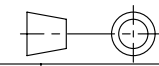
THIS COPY IS PROVIDED ON A RESTRICTED BASIS AND IS NOT TO BE USED IN ANY WAY DETRIMENTAL TO THE INTERESTS OF PANDUIT CORP.



1. VISIT OUR ON-LINE CATALOG AT WWW.PANDUIT.COM FOR A LIST OF CURRENT PARTS APPLICABLE FOR USE WITH THIS PRODUCT.
2. PRIMARY DIMENSIONS ARE IN MILLIMETERS.
3. INDEPENDENT ADJUSTABLE REAR EQUIPMENT MOUNTING RAILS (EIA) ADJUST FROM 130mm [5.1in] TO 422mm [16.6in], AND FROM 469mm [18.46in] TO 751mm [29.56in], WITH NO FINGERS OR PDU'S, 913mm [35.94in] TO 964mm [37.95in].
4. CAN BE USED WITH ANY 19" EIA STANDARD COMPONENT IN ADDITION TO ALL PANDUIT HORIZONTAL CABLE MANAGEMENT AND PATCH PANEL PRODUCTS.
5. EIA UNIVERSAL STANDARD HOLE PROGRESSION ON EQUIPMENT RAILS 15.88mm [.625in], 15.88mm [.625in], 12.70mm [.5in], 15.88mm [.625in], 15.88mm [.625in], 12.7mm [.5in]...ETC.
6. PARTS SUPPLIED:
 -BASE CABINET
 OPTIONAL COMPONENTS:
 -FRONT PERFORATED DUAL HINGE DOOR (SEE CHART ON SHEET 2)
 -SOLID REAR DOOR (SEE CHART ON SHEET 2)
 -CAGE NUT EQUIPMENT RAILS FRONT & REAR
 -SPLIT SIDE PANELS (SEE CHART ON SHEET 2)
 -BLANKING PANELS
 -VERTICAL CABLE MANAGEMENT FINGERS (SEE CHART ON SHEET 2)
 -CABINET HARDWARE KIT
 -INSTRUCTION SHEET
7. RACK UNIT SPACING NUMERALS ARE CLEARLY PRINTED ON EQUIPMENT MOUNTING RAILS.
8. FULLY BONDED STRUCTURE WHEN ASSEMBLED PER INSTRUCTIONS.
9. STATIC LOAD RATING: 1360 Kg (3000 LBS)
10. ROLLING LOAD RATING: 1133 Kg (2500 LBS)
11. SINGLE POINT GROUND LOCATIONS AT TOP AND BOTTOM OF CABINET.
12. ALL CABINET RAILS ARE INSTALLED NUMBERS UP.
13. MAXIMUM EQUIPMENT DEPTH, 992mm [39.06].

REV	DATE	BY	CHK	APR	DESCRIPTION	ECN
01A	12-10-14	PBS	ADP	TCN	FLOOR MOUNT DIMENSIONS UPDATED	V09000BX
00A	7-10-14	LEE	ROJC	TCN	RELEASED TO PRODUCTION	12V352CV-DC

TITLE					NET-ACCESS N-TYPE CABINET WITH VED READY, INTEGRAL CABINET TOP CABLE ROUTING SYSTEM AND NO CASTERS 800mm WIDE X 1200mm DEEP FAMILY				
					CUSTOMER DRAWING				
ITEM REVISION NAME					12V352CV/01.PRT				
DATASET FILE NAME					12V352CV_DC/01A.PRT				
					MATERIAL:				
					N/A				
					DRAWING NUMBER:				
					12V352CV-DC				
DRAWN BY		DATE		CHK		SCALE		SIZE	
LEE		7-10-14		ROJC		NONE		A	

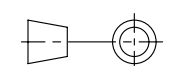


THIRD ANGLE PROJECTION

THIS COPY IS PROVIDED ON A RESTRICTED BASIS AND IS NOT TO BE USED IN ANY WAY DETRIMENTAL TO THE INTERESTS OF PANDUIT CORP.

PART NO.	DESCRIPTION	DUAL HINGE DOOR	SOLID REAR DOOR	SPLIT SIDE PANEL	CAGE NUT E-RAIL (2 SETS)	TAPPED E-RAIL (2 SETS)	CABLE MANAGEMENT FINGERS SET	CABINET WEIGHT FULLY UNPACKAGED	CABINET WEIGHT SHIPPING WEIGHT
N8222*YT	NET-ACCESS N-TYPE VED READY CABINET 42RUX1200mm DEEP	01	01	02	01	00	02	146 Kg/EACH 321 LBS/EACH	166 Kg/EACH 365 LBS/EACH
N8522*YT	NET-ACCESS N-TYPE VED READY CABINET 45RUX1200mm DEEP	01	01	02	01	00	02	155 Kg/EACH 343 LBS/EACH	176 Kg/EACH 387 LBS/EACH
N8822*YT	NET-ACCESS N-TYPE VED READY CABINET 48RUX1200mm DEEP	01	01	02	01	00	02	166 Kg/EACH 365 LBS/EACH	187 Kg/EACH 410 LBS/EACH
N8229*YT	NET-ACCESS N-TYPE VED READY CABINET 42RUX1200mm DEEP	01	01	00	01	00	02	110 Kg/EACH 241 LBS/EACH	129 Kg/EACH 285 LBS/EACH
N8529*YT	NET-ACCESS N-TYPE VED READY CABINET 45RUX1200mm DEEP	01	01	00	01	00	02	116 Kg/EACH 255 LBS/EACH	136 Kg/EACH 299 LBS/EACH
N8829*YT	NET-ACCESS N-TYPEVED READY CABINET 48RUX1200mm DEEP	01	01	00	01	00	02	123 Kg/EACH 271 LBS/EACH	143 Kg/EACH 315 LBS/EACH

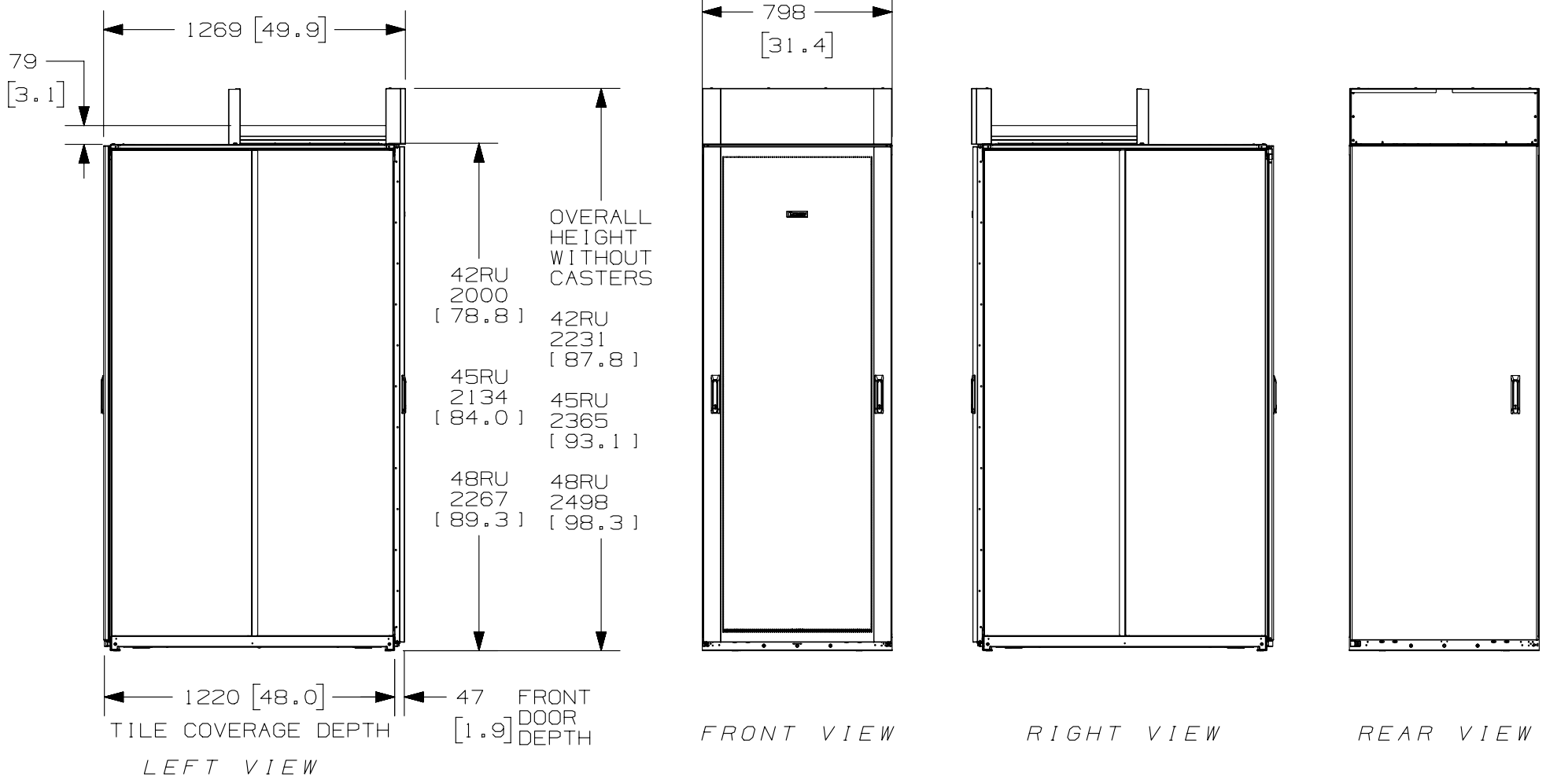
* DENOTES COLOR
 B = BLACK
 W = WHITE

						TITLE NET-ACCESS N-TYPE CABINET WITH VED READY, INTEGRAL CABINET TOP CABLE ROUTING SYSTEM AND NO CASTERS 800mm WIDE X 1200mm DEEP FAMILY CUSTOMER DRAWING						
						ITEM REVISION NAME 12V352CV/01.PRT						
						DATASET FILE NAME 12V352CV_DC/01A.PRT						
						MATERIAL: N/A						
O1A	12-10-14	PBS	ADP	TCN	SEE SHEET 1 OF 5 FOR REVISIONS	V09000BX		 THIRD ANGLE PROJECTION DRAWING NUMBER: 12V352CV-DC				
OOA	7-10-14	LEE	ROJC	TCN	SEE SHEET 1 OF 5 FOR REVISIONS	12V352CV-DC						
REV	DATE	BY	CHK	APR	DESCRIPTION	ECN	DRAWN BY LEE	DATE 7-10-14	CHK ROJC	SCALE NONE	SHT 2 OF 5	SIZE A

THIS COPY IS PROVIDED ON A RESTRICTED BASIS AND IS NOT TO BE USED IN ANY WAY DETRIMENTAL TO THE INTERESTS OF PANDUIT CORP.

2

1



B

B

A

A

REV	DATE	BY	CHK	APR	DESCRIPTION	ECN
01A	12-10-14	PBS	ADP	TCN	SEE SHEET 1 OF 5 FOR REVISIONS	V09000BX
00A	7-10-14	LEE	ROJC	TCN	SEE SHEET 1 OF 5 FOR REVISIONS	12V352CV-DC

TITLE		NET-ACCESS N-TYPE CABINET WITH VED READY, INTEGRAL CABINET TOP CABLE ROUTING SYSTEM AND NO CASTERS 800mm WIDE X 1200mm DEEP FAMILY	
ITEM REVISION NAME		CUSTOMER DRAWING	
DATASET FILE NAME		12V352CV_DC/01A.PRT	
MATERIAL:		N/A	
DRAWING NUMBER:		12V352CV-DC	
DRAWN BY	DATE	CHK	SCALE
LEE	7-10-14	ROJC	NONE
THIRD ANGLE PROJECTION		SHT 3 OF 5	
SIZE		A	

2

1

THIS COPY IS PROVIDED ON A RESTRICTED BASIS AND IS NOT TO BE USED IN ANY WAY DETRIMENTAL TO THE INTERESTS OF PANDUIT CORP.

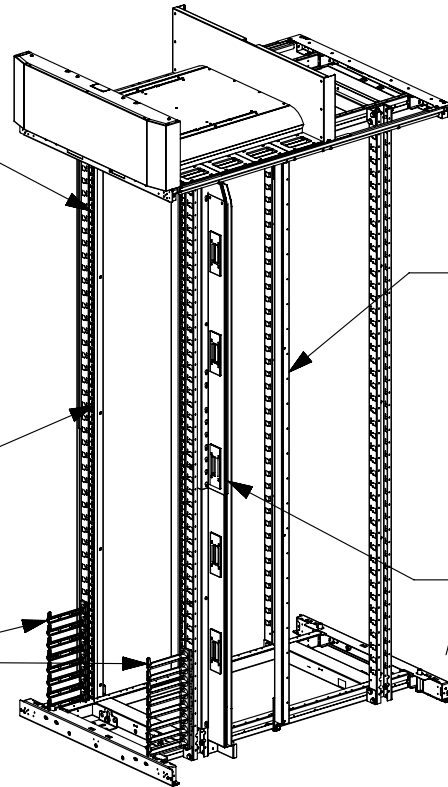
2

1

RACK UNITS ARE NUMBERED AND INDEXED FOR IDENTIFICATION

(4) CAGE NUT EQUIPMENT RAILS.

VERTICAL CABLE MANAGEMENT FINGERS WITH BEND RADIUS CONTROL CAN BE ASSEMBLED FRONT OR REAR BY CUSTOMER



SEE NOTES ON SHEET 1 FOR REAR EQUIPMENT RAIL ADJUSTMENT RANGE

BLANKING PANELS

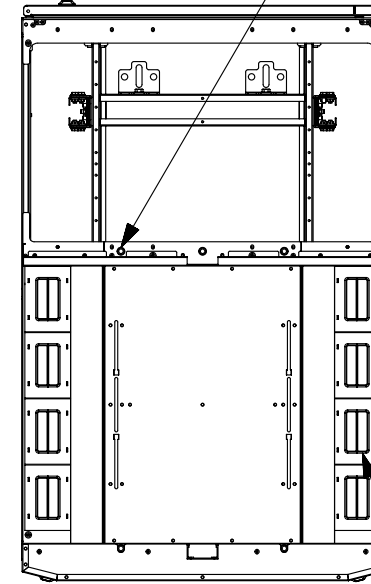
REAR

FRONT

FRONT DOOR, REAR DOOR, AND SIDE PANELS NOT SHOWN

(6) LOCATIONS TAPPED FOR M10 THREADED ROD

REAR



FRONT
TOP VIEW

(8) CABLE OPENINGS (83mm X 120mm) [3.26IN] [4.71IN] WITH BEZELS AND COVERS COMPATIBLE W/ COOL BOOT P/N: CTGN3X5

TITLE
NET-ACCESS N-TYPE CABINET WITH VED READY, INTEGRAL CABINET TOP CABLE ROUTING SYSTEM AND NO CASTERS 800mm WIDE X 1200mm DEEP FAMILY
CUSTOMER DRAWING

ITEM REVISION NAME
12V352CV/01.PRT

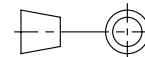
DATASET FILE NAME
12V352CV_DC/01A.PRT

PANDUIT

MATERIAL:
N/A

01A	12-10-14	PBS	ADP	TCN	SEE SHEET 1 OF 5 FOR REVISIONS	V09000BX
00A	7-10-14	LEE	ROJC	TCN	SEE SHEET 1 OF 5 FOR REVISIONS	12V352CV-DC

REV	DATE	BY	CHK	APR	DESCRIPTION	ECN
-----	------	----	-----	-----	-------------	-----



THIRD ANGLE PROJECTION

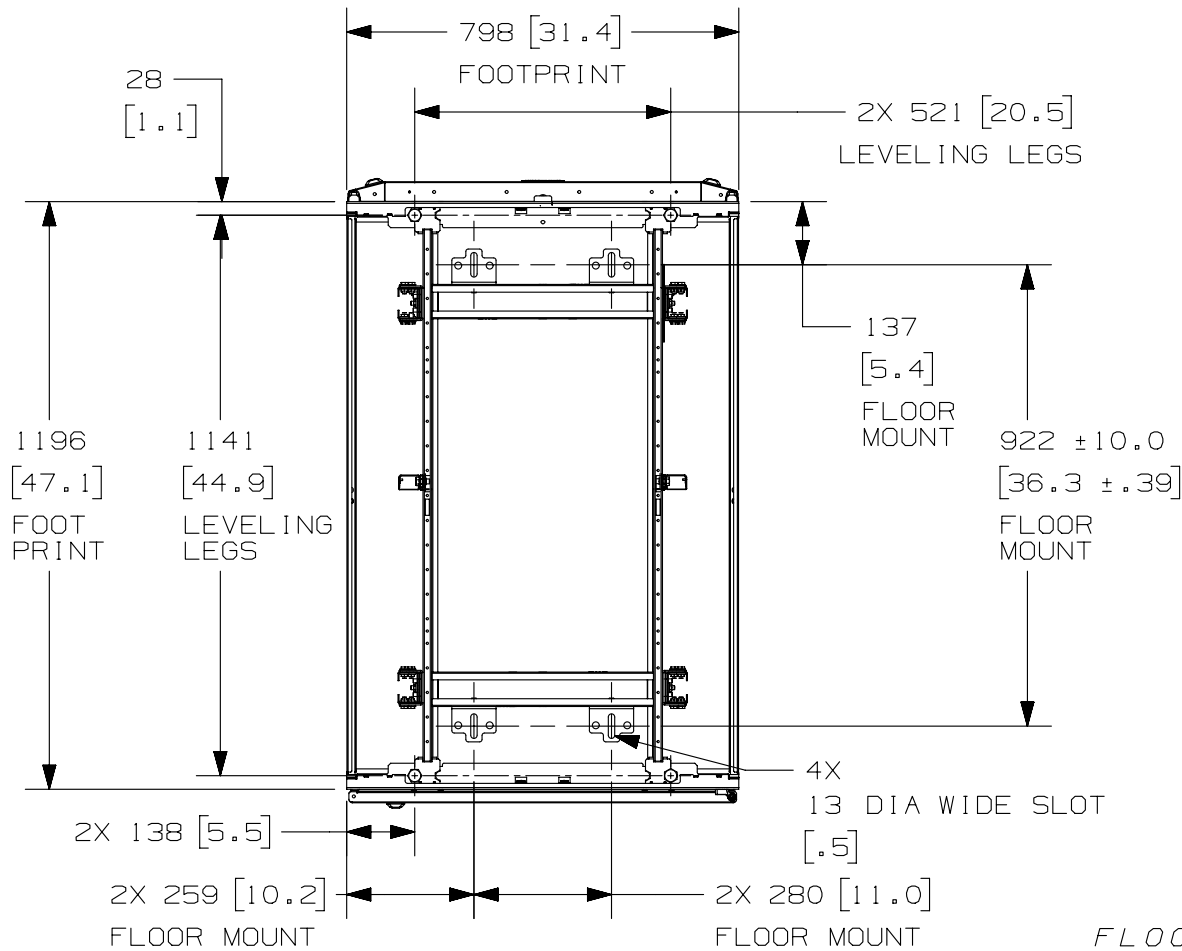
DRAWN BY	DATE	CHK	SCALE	DRAWING NUMBER:	SIZE
LEE	7-10-14	ROJC	NONE	12V352CV-DC	A

SHT 4 OF 5

2

1

THIS COPY IS PROVIDED ON A RESTRICTED BASIS AND IS NOT TO BE USED IN ANY WAY DETRIMENTAL TO THE INTERESTS OF PANDUIT CORP.

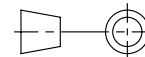


REAR OF CABINET - BOTTOM VIEW

FLOOR MOUNTING HOLE LOCATIONS - SOME PARTS REMOVED FOR CLARITY

REV	DATE	BY	CHK	APR	DESCRIPTION	ECN
01A	12-10-14	PBS	ADP	TCN	SEE SHEET 1 OF 5 FOR REVISIONS	V09000BX
00A	7-10-14	LEE	ROJC	TCN	SEE SHEET 1 OF 5 FOR REVISIONS	12V352CV-DC

TITLE		NET-ACCESS N-TYPE CABINET WITH VED READY, INTEGRAL CABINET TOP CABLE ROUTING SYSTEM AND NO CASTERS 800mm WIDE X 1200mm DEEP FAMILY		
ITEM REVISION NAME		12V352CV/01.PRT		
DATASET FILE NAME		12V352CV_DC/01A.PRT		
CUSTOMER DRAWING				
MATERIAL:				
DRAWING NUMBER:		12V352CV-DC		
DRAWN BY	DATE	CHK	SCALE	SIZE
LEE	7-10-14	ROJC	NONE	A



THIRD ANGLE PROJECTION