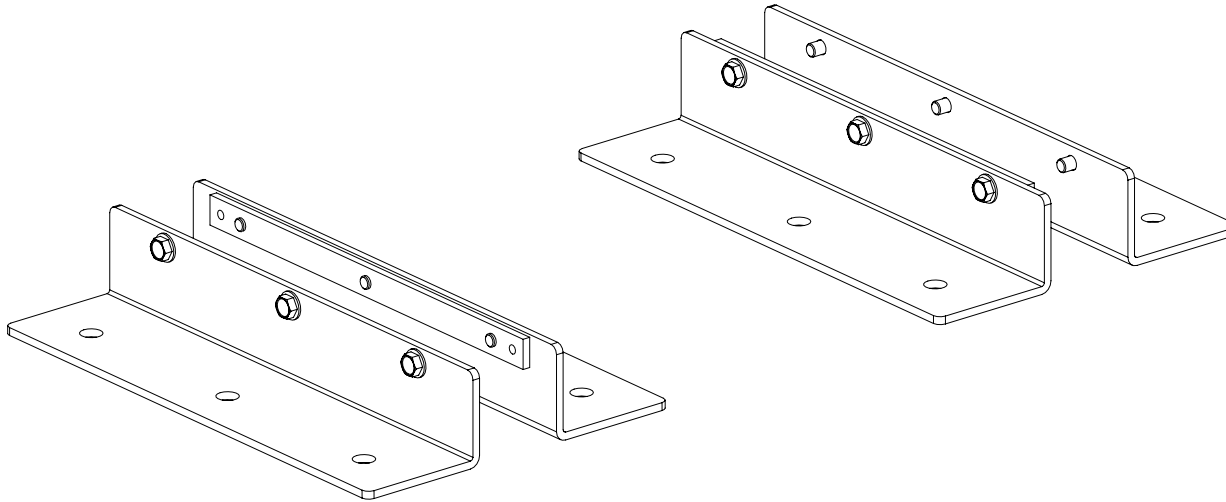


2

1

THIS COPY IS PROVIDED ON A RESTRICTED BASIS AND IS NOT TO BE USED IN ANY WAY DETRIMENTAL TO THE INTERESTS OF PANDUIT CORP.

PANDUIT PART NO.	WEIGHT
NAKOSHPD	33.2 LBS/EACH 15.1 Kg/EACH



1. VISIT OUR ON-LINE CATALOG AT WWW.PANDUIT.COM FOR A LIST OF CURRENT PARTS APPLICABLE FOR USE WITH THIS PRODUCT.
2. PARTS SUPPLIED:
 - 4- ANCHOR BRACKETS
 - 2- ANCHOR NUT PLATES
 - 12- M10 X 1.5 HEX HEAD BOLTS
 - 1- INSTRUCTION SHEET
3. COLOR-BLACK
4. FULLY BONDED STRUCTURE WHEN ASSEMBLED PER INSTRUCTIONS.

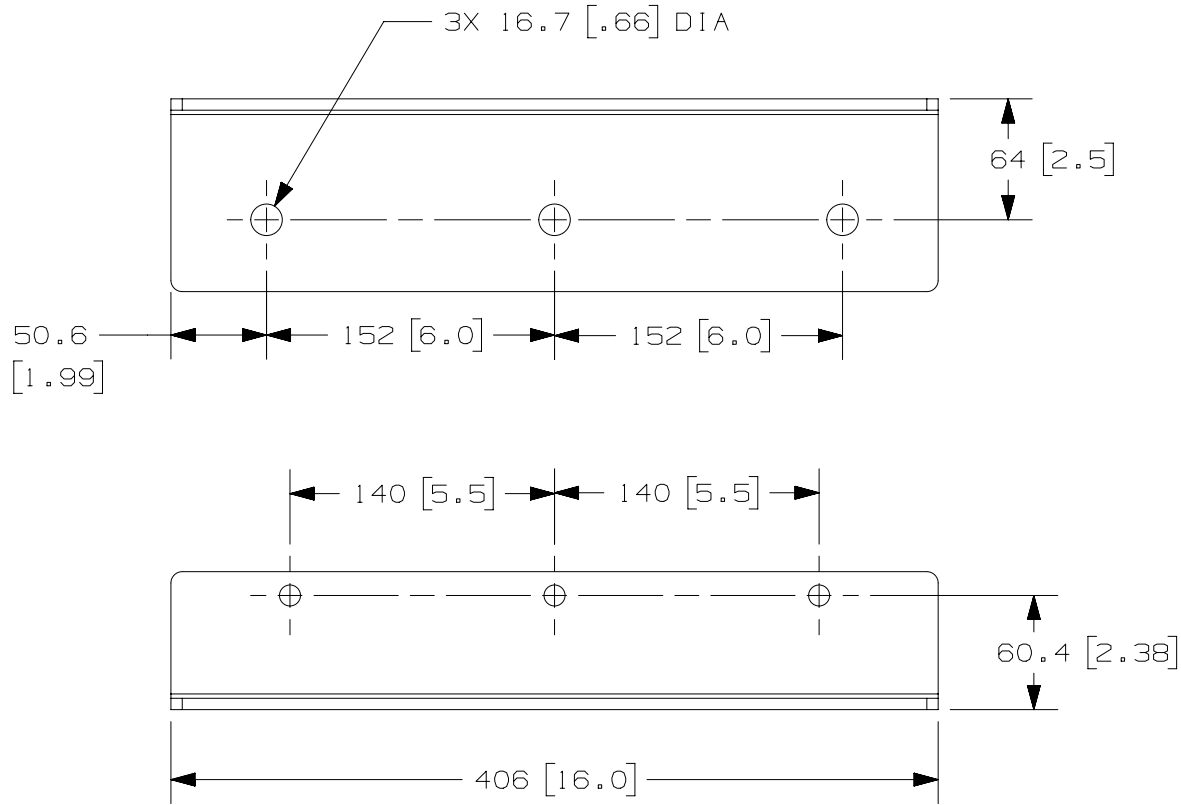
OSHPD N-TYPE CABINETS APPROVAL #OPM 0119-16

REV	DATE	BY	CHK	APR	DESCRIPTION	ECN	TITLE	ITEM REVISION NAME	DATASET FILE NAME	MATERIAL	DRAWING NUMBER	
00A	7-12-17	LDR	BRAP		RELEASED TO PRODUCTION	VO9001JP	NAKOSHPD N-TYPE CABINET ANCHOR KIT	13V392AF/00.PRT	13V392AF_DC/00A.PRT	N/A	13V392AF - DC	
							CUSTOMER DRAWING					
							THIRD ANGLE PROJECTION					
							DRAWN BY LDR		DATE 7-12-17		CHK BRAP SCALE NONE	
									SHT 1 OF 2		SIZE A	

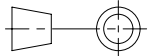
2

1

THIS COPY IS PROVIDED ON A RESTRICTED BASIS AND IS NOT TO BE USED IN ANY WAY DETRIMENTAL TO THE INTERESTS OF PANDUIT CORP.



OOA	7-12-17	LDR	BRAP		SEE SHEET 1 OF 2 FOR REVISIONS	VO9001JP
REV	DATE	BY	CHK	APR	DESCRIPTION	ECN

TITLE NAKOSHDPD N-TYPE CABINET ANCHOR KIT			
CUSTOMER DRAWING			
ITEM REVISION NAME 13V392AF/00.PRT		PANDUIT	
DATASET FILE NAME 13V392AF_DC/00A.PRT			
		MATERIAL: N/A	
		DRAWING NUMBER: 13V392AF-DC	
 THIRD ANGLE PROJECTION			
DRAWN BY LDR	DATE 7-12-17	CHK BRAP	SCALE NONE
SHT 2 OF 2		SIZE A	