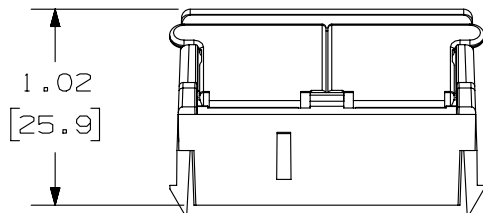
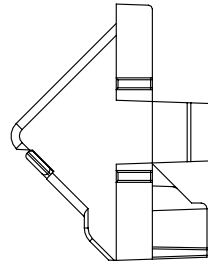
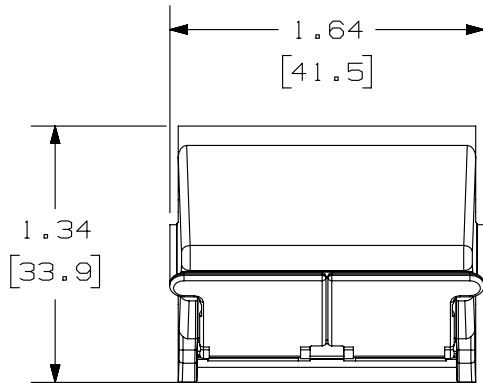


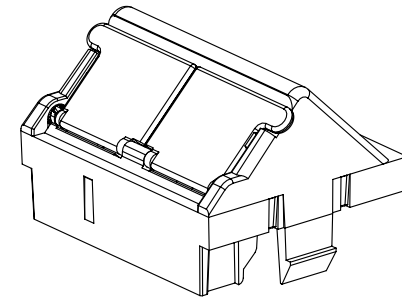
THIS COPY IS PROVIDED ON A RESTRICTED BASIS AND IS NOT TO BE USED IN ANY WAY DETRIMENTAL TO THE INTERESTS OF PANDUIT CORP.

PANDUIT P/N	WEIGHT
NKHS2S**-X	.06 LB/10 PCS (29.1 g/10 PCS)



NOTES:

- SEE CURRENT CATALOG FOR ADDITIONAL PART NUMBER SUFFIXES TO INDICATE COLOR AND OR PACKAGE QUANTITY.
- SEE CATALOG FOR COMPLETE LIST OF PARTS APPLICABLE FOR USE WITH THIS PART.
- DIMENSIONS IN PARENTHESES ARE IN METRIC.



PART NUMBER		NKHS2S**-X	
TITLE			
NETKEY 2 POSITION SLOPED SHUTTERED INSERT			
CUSTOMER DRAWING			
ITEM REVISION NAME		M02463AA/06	
DATASET FILE NAME		M02463AA_DC02/06B	
UNLESS OTHERWISE SPECIFIED, DIMENSIONAL TOLERANCES ARE: IN [mm]		MATERIAL:	
.x ± .xx ± .03 [.8]		ABS	
.xxx ± .010 [.3]		DRAWING NUMBER:	
ANGLES ±		02463-02	
THIRD ANGLE PROJECTION		SHT 1 OF 1	
DRAWN BY	DATE	CHK	SCALE
JSP	3-16-06	EB	NONE
REV	DATE	BY	CHK
1	5-19-14	MDJR	REFR
R	7-14-06	JSP	EB
APR	DESCRIPTION		ECN
	A. UPDATED TITLE BLOCK.		02463-02
	RELEASED TO PRODUCTION		02463-02

REV	DATE	BY	CHK	APR	DESCRIPTION	ECN
1	5-19-14	MDJR	REFR	JCK	A. UPDATED TITLE BLOCK.	02463-02
R	7-14-06	JSP	EB	EB	RELEASED TO PRODUCTION	02463-02

D101000DA/14

2

1

2

1