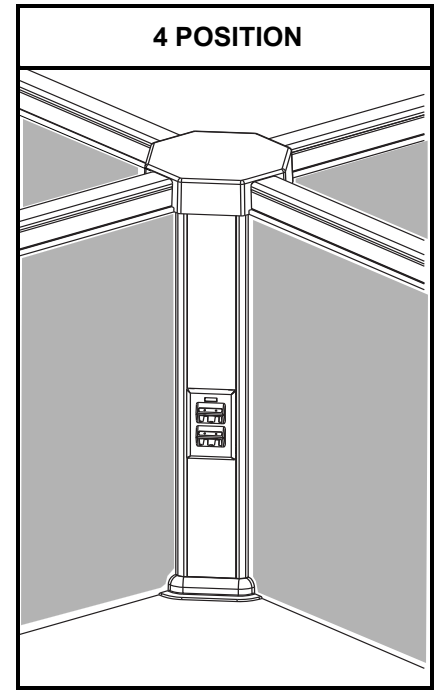
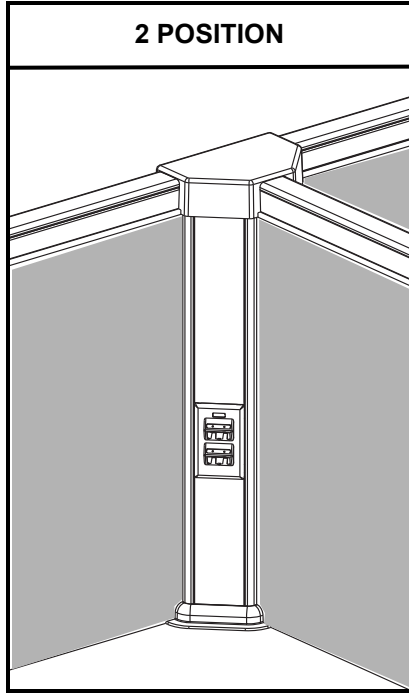
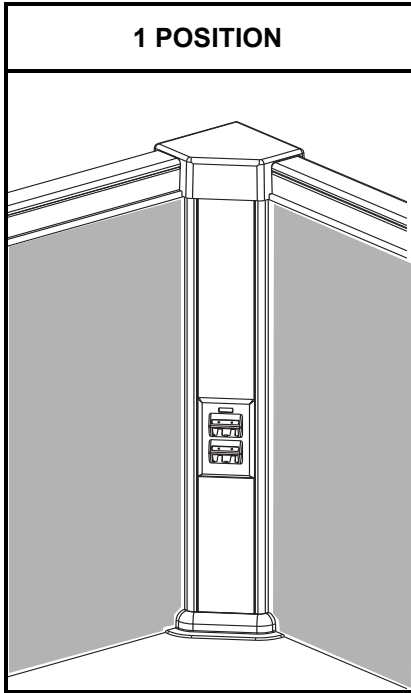
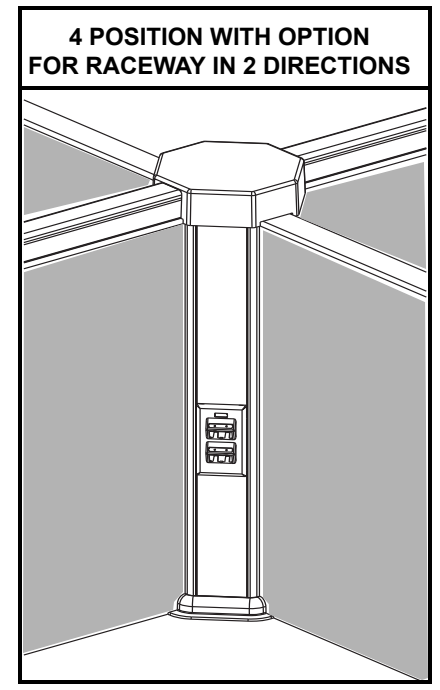
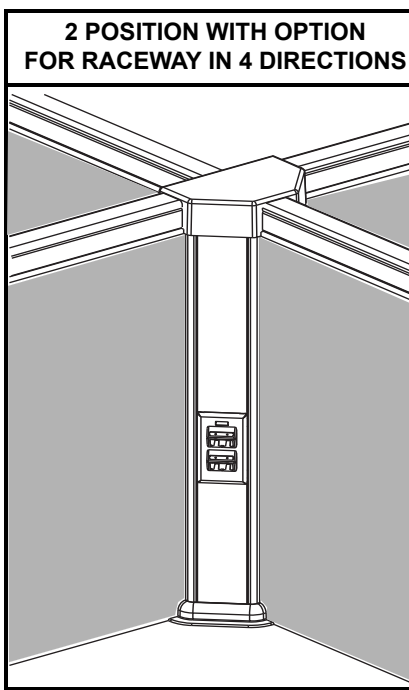
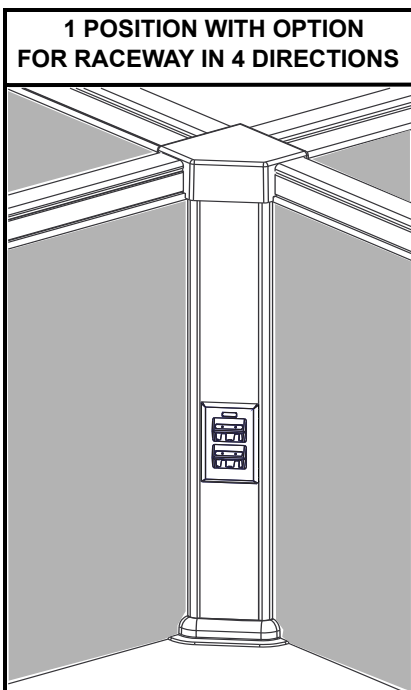
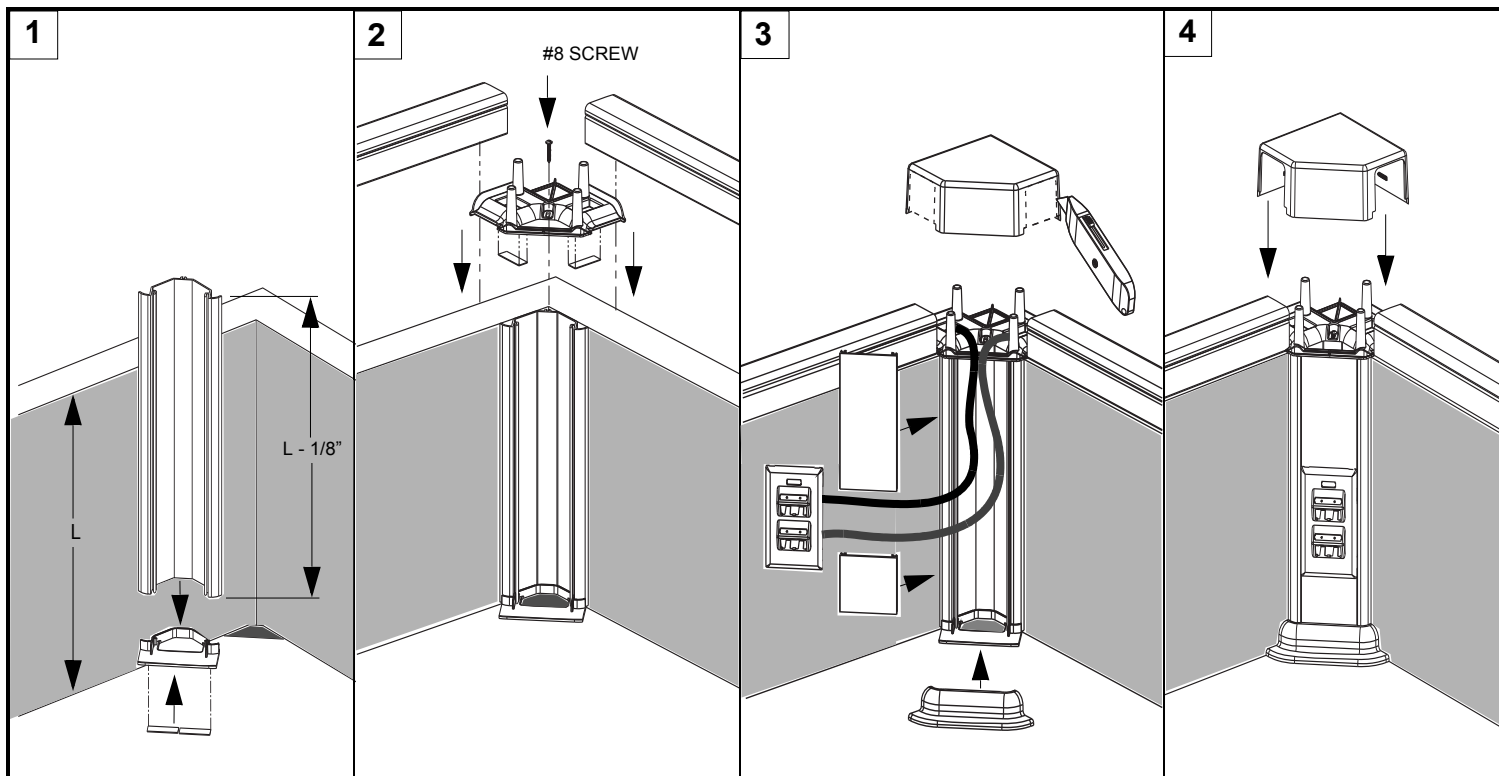


Panduit Part Numbers: OFCR70**, OFCRC70**, OFR20OFCR70**4, OFR20OFCR70**2, OFR20OFCR70**1, OFCR70EC**, OF70FV4** [OF70FV2**, OF70P**, OF70PG** (NOT SHOWN)], OFR20OFCR70**4P, OFR20OFCR70**2P, OFR20OFCR70**1P



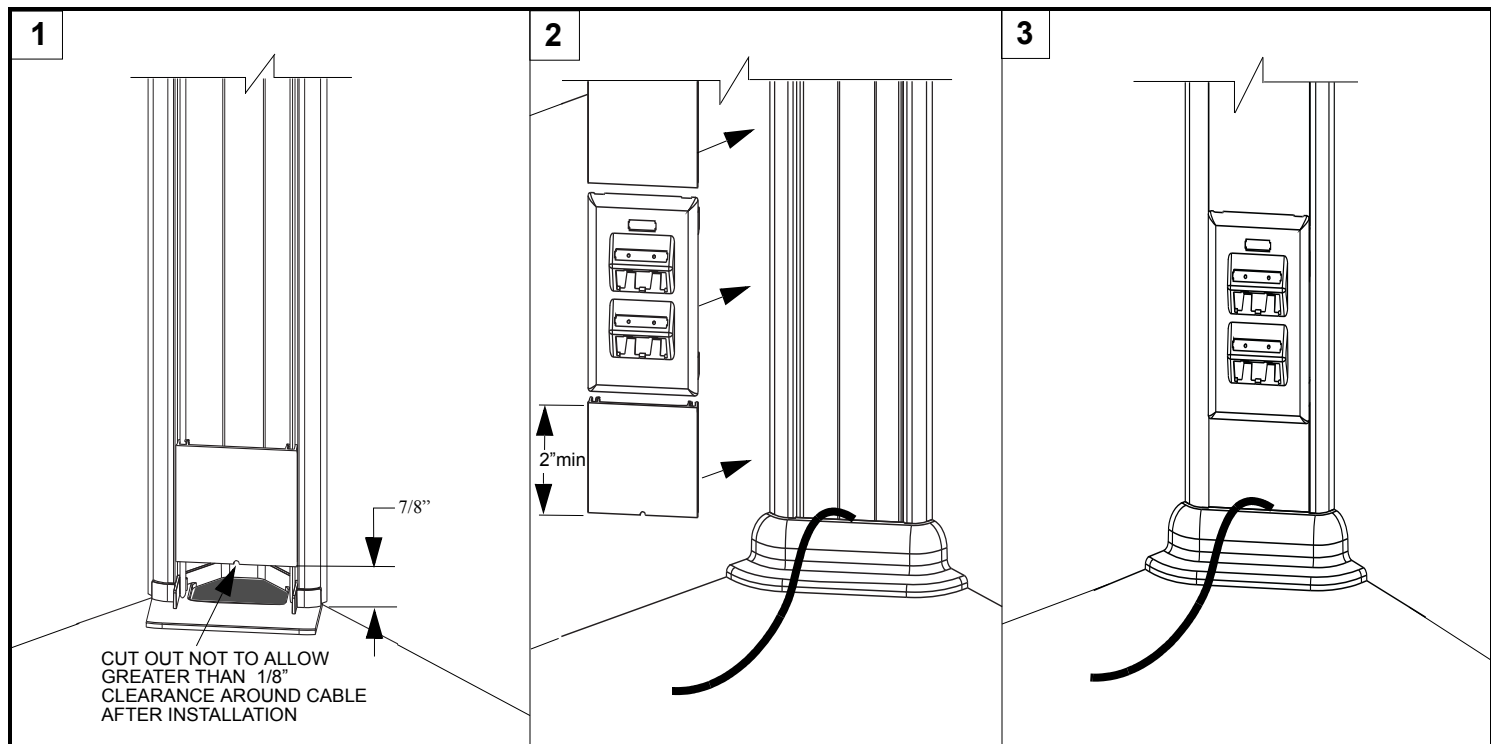
OPTIONAL CONFIGURATIONS

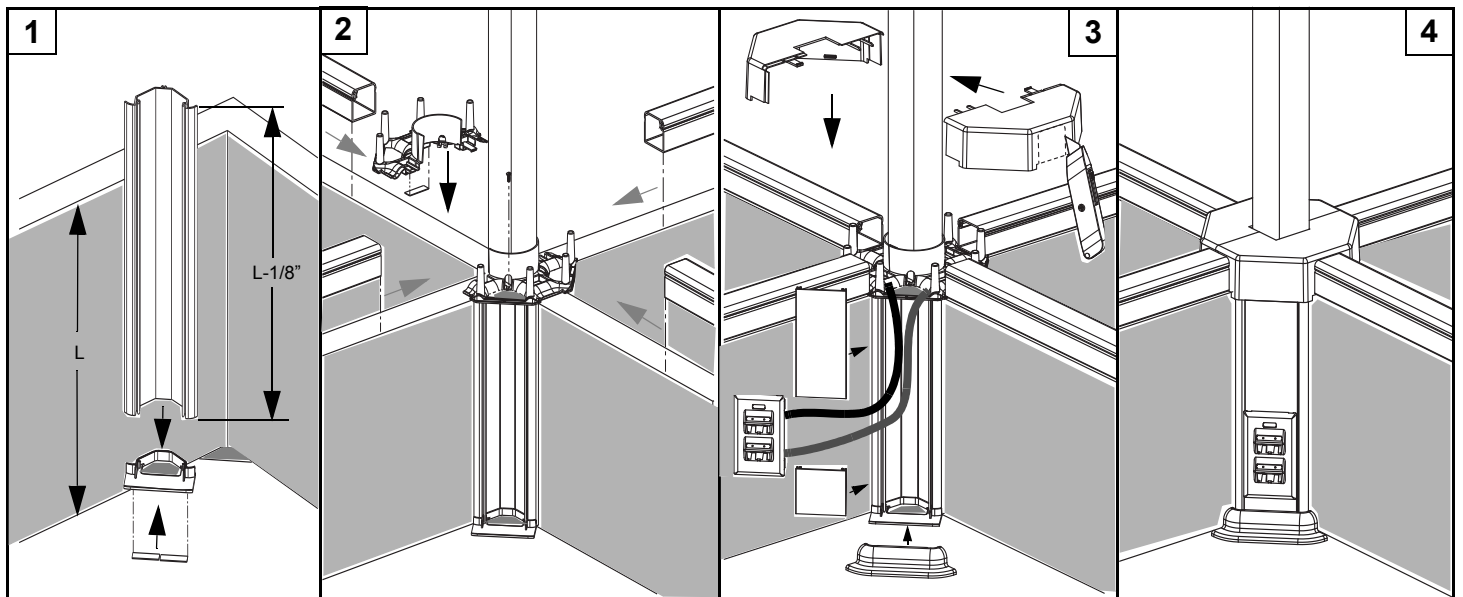
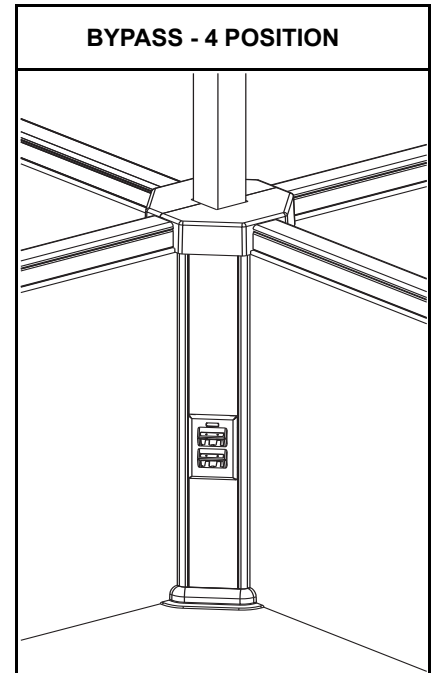
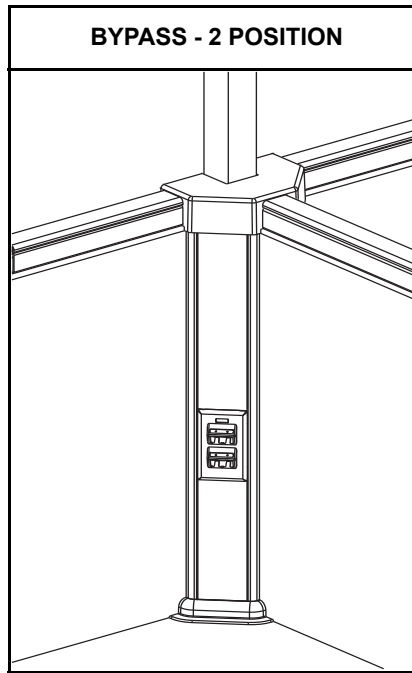
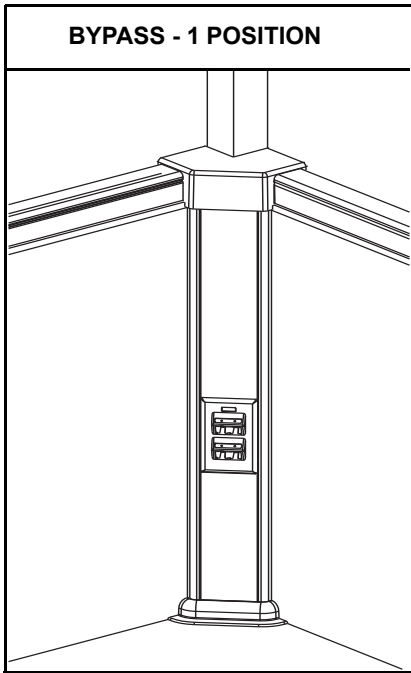




FOR PROPER TAPE ADHESION, SURFACE MUST BE CLEAN AND DRY PRIOR TO INSTALLATION. PRESSURE MUST BE APPLIED FOR 20 SEC. AT POINT OF APPLICATION.

OPTIONAL CABLE ROUTING FROM DESKTOP





Note: Minimum bend radius on fittings is .625".

For Instructions in Local Languages
and Technical Support:
www.panduit.com/resources/install_maintain.asp

PANDUIT
www.panduit.com

E-mail:
techsupport@panduit.com
Phone:
866-405-6654