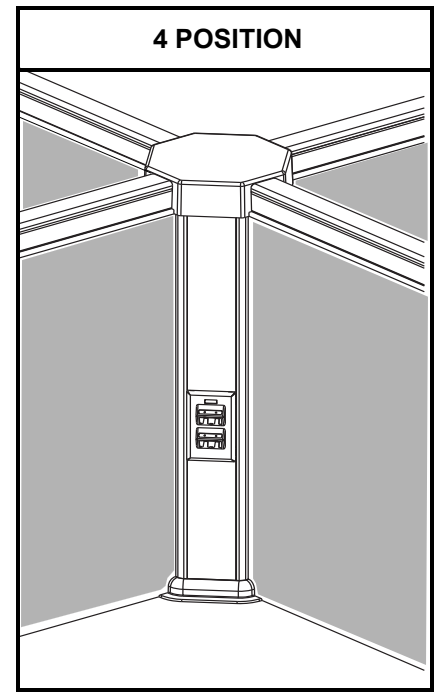
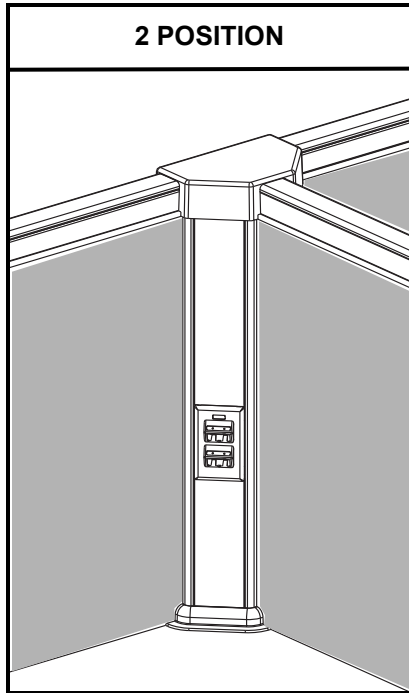
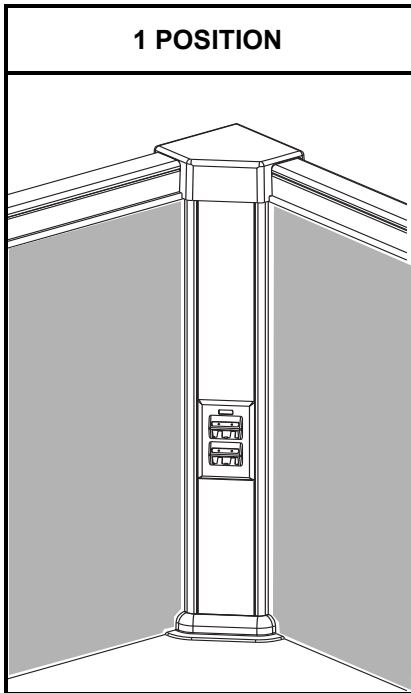
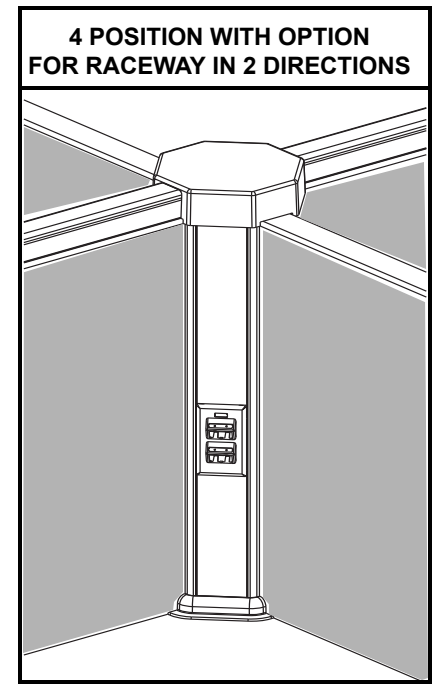
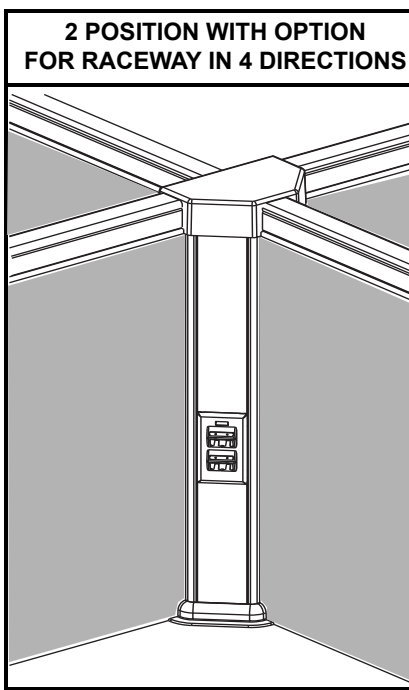
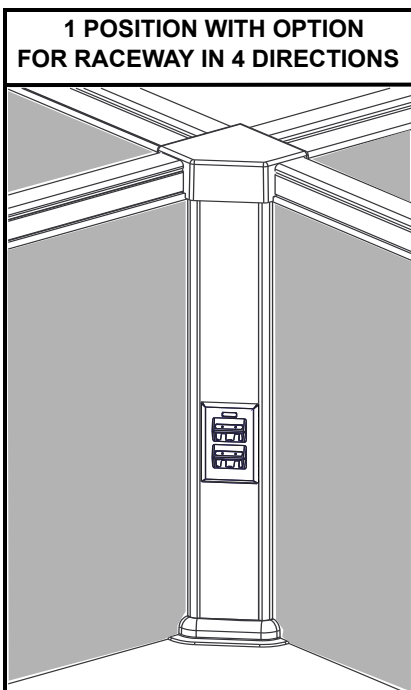
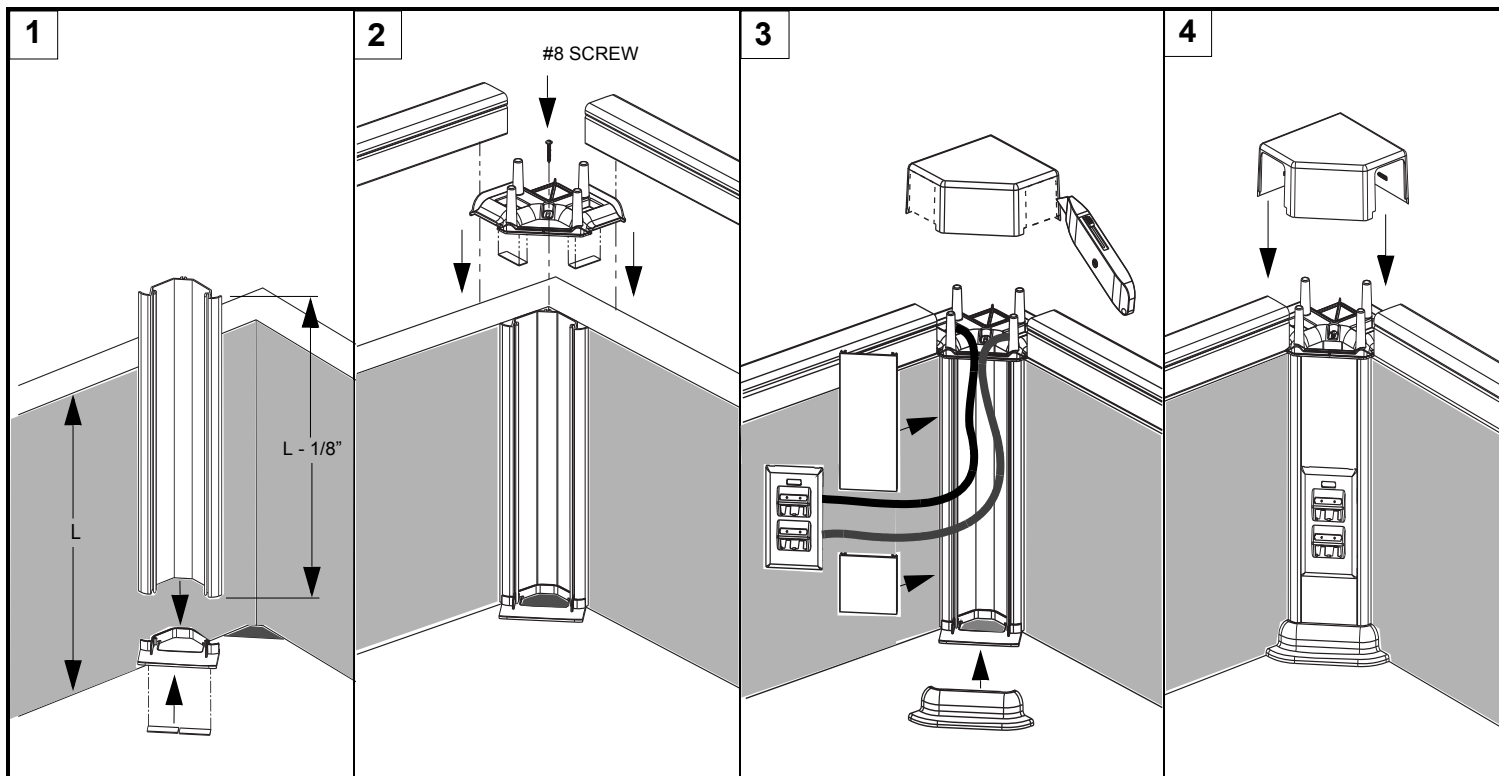


**Panduit Part Numbers:** OFCR70\*\*, OFCRC70\*\*, OFR20OFCR70\*\*4, OFR20OFCR70\*\*2, OFR20OFCR70\*\*1, OFCR70EC\*\*, OF70FV4\*\* [OF70FV2\*\*, OF70P\*\*, OF70PG\*\* (NOT SHOWN)], OFR20OFCR70\*\*4P, OFR20OFCR70\*\*2P, OFR20OFCR70\*\*1P



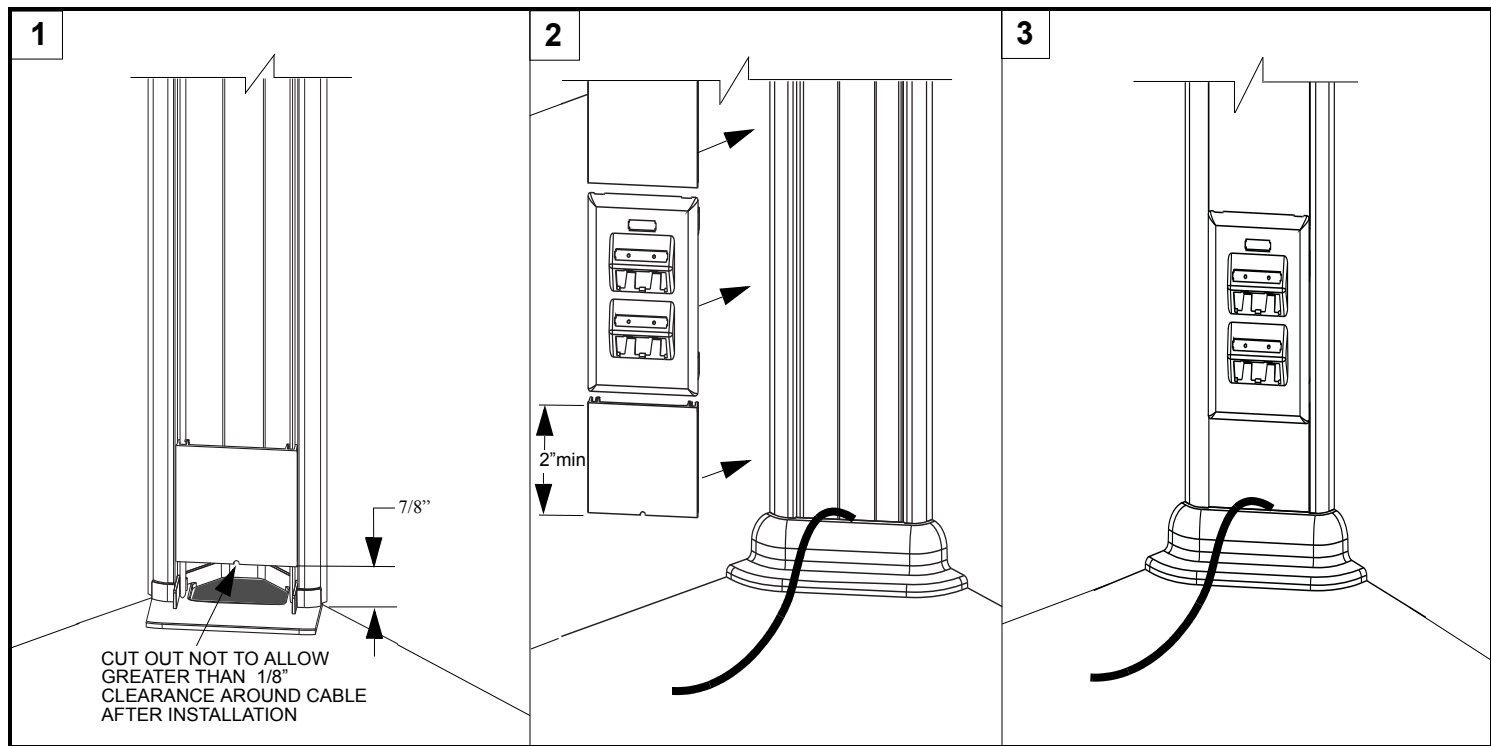
### OPTIONAL CONFIGURATIONS

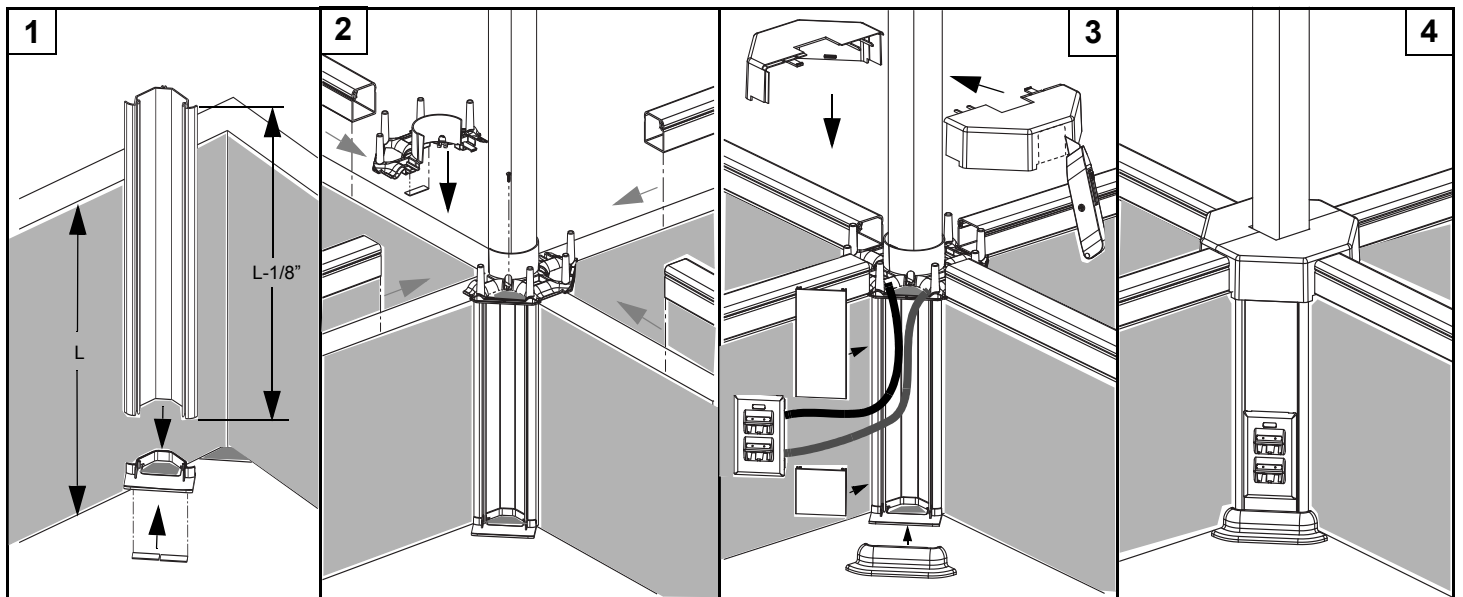
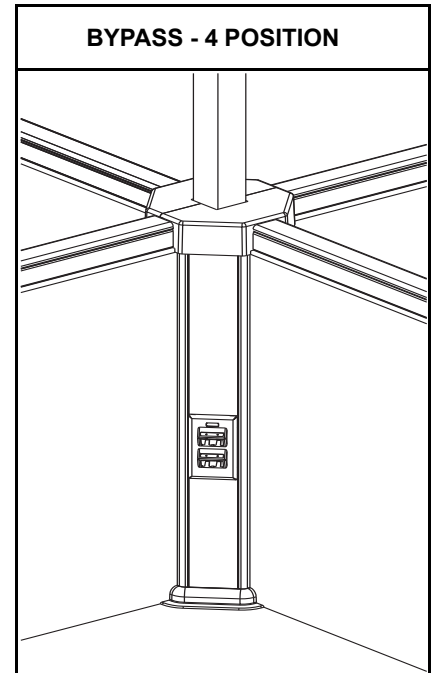
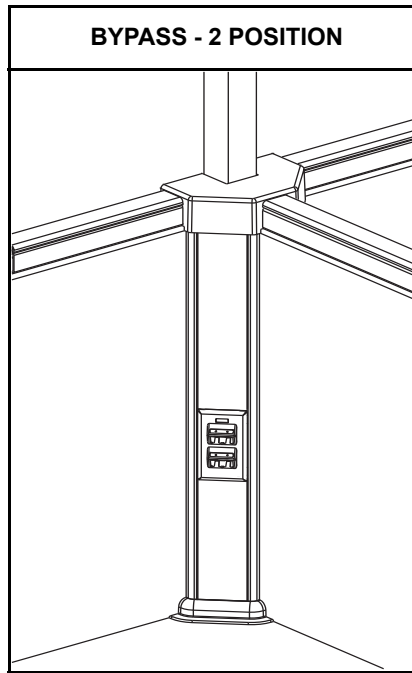
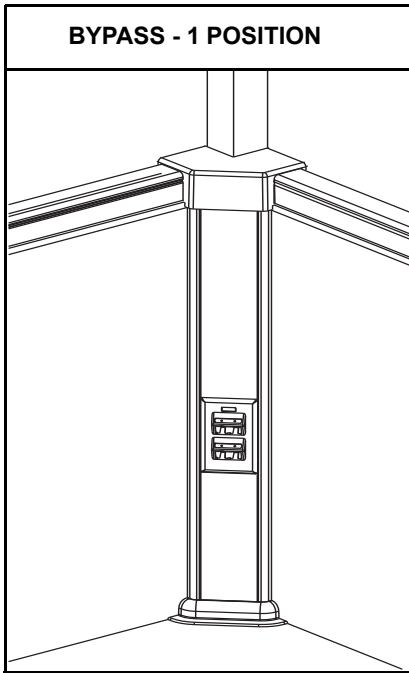




FOR PROPER TAPE ADHESION, SURFACE MUST BE CLEAN AND DRY PRIOR TO INSTALLATION. PRESSURE MUST BE APPLIED FOR 20 SEC. AT POINT OF APPLICATION.

**OPTIONAL CABLE ROUTING FROM DESKTOP**





Note: Minimum bend radius on fittings is .625".

For Instructions in Local Languages  
and Technical Support:  
[www.panduit.com/resources/install\\_maintain.asp](http://www.panduit.com/resources/install_maintain.asp)

**PANDUIT**  
[www.panduit.com](http://www.panduit.com)

E-mail:  
[techsupport@panduit.com](mailto:techsupport@panduit.com)  
Phone:  
866-405-6654