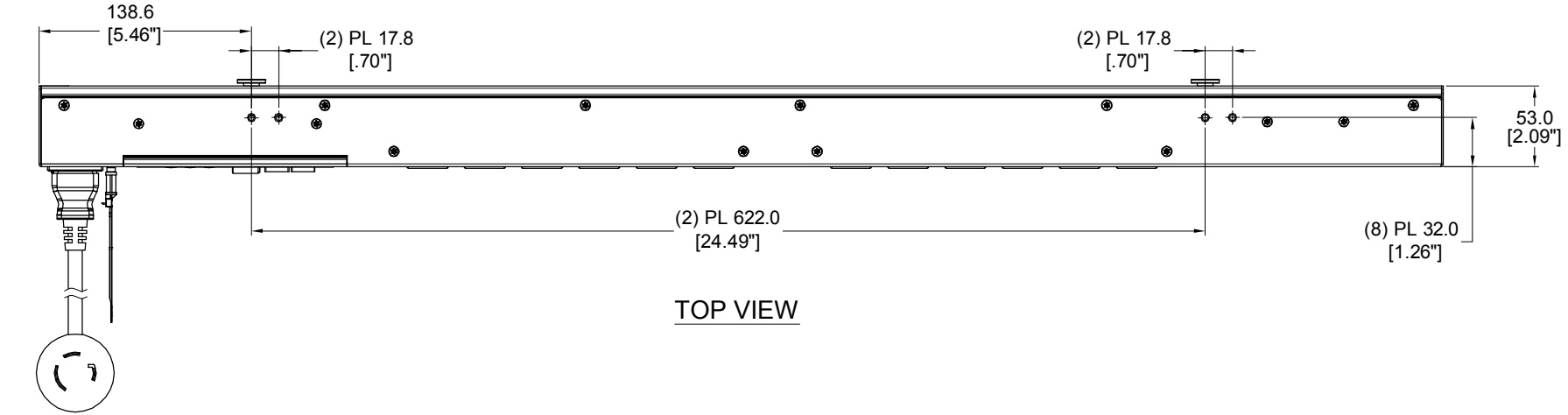
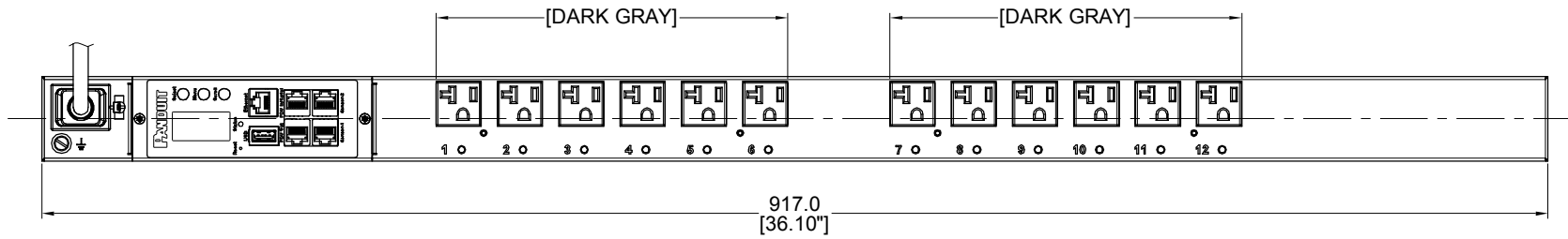


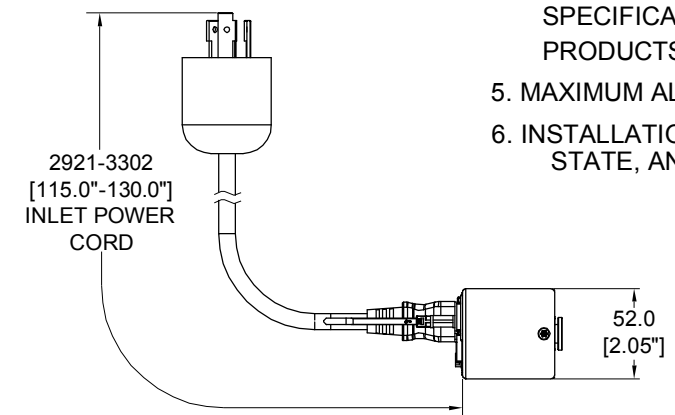
REAR VIEW



TOP VIEW



FRONT VIEW



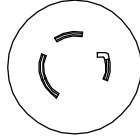
SIDE VIEW

PANDUIT P/N	WEIGHT
P12E22M	5.6kg

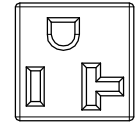
NOTES:

- IDENTIFICATION:

UNIT TYPE:	MONITORED SWITCHED
ORIENTATION:	VERTICAL, HALF
OUTLET QTY&TYPE:	(12) 5-20R
BREAKER QTY&TYPE:	N/A
INPUT VOLTAGE:	100-120VAC
INPUT CURRENT:	20A (16A DERATED)
INPUT PHASE:	SINGLE-PHASE
RATED POWER:	1.9kVA
INPUT PLUG:	NEMA L5-20P
INPUT CORD LENGTH:	3m [10']
- ACCESSORIES:
 - POCKET GUIDE
 - QTY: (4) M6 X 12 PAN HEAD MACHINE SCREWS
 - QTY: (4) M6 CAGED NUT
- RoHS COMPLIANT
- VISIT PANDUIT'S ON-LINE CATALOG AT WWW.PANDUIT.COM FOR ADDITIONAL PRODUCT INFORMATION CONTAINED IN THE SPECIFICATION SHEET AS WELL AS A CURRENT LIST OF PRODUCTS APPLICABLE FOR USE WITH THIS PART
- MAXIMUM ALLOWABLE INPUT POWER = 1.9kW
- INSTALLATION SHALL COMPLY WITH ALL APPLICABLE NATIONAL, STATE, AND LOCAL CODES



PLUG
20 AMP, 125V
TWIST LOCK
NEMA L5-20P



TWELVE (12)
RECEPTACLES
20 AMP, 125V
STRAIGHT BLADE
NEMA 5-20R

REV	DATE	BY	CHK	APR	DESCRIPTION	ECN
01A	09/22/2017	WSJ	MIM	EDM	INITIAL RELEASE	P12E22M

WE ASK THAT YOU CHECK FULLY THE DIMENSIONS, NOTES, AND SIGN THE CLIENT SIGNATURE BOX. THE JOB WILL NOT PROGRESS WITHOUT SIGNED APPROVAL. PLEASE DO NOT DELAY IN RETURNING PROOF AS IT WILL AFFECT DELIVERY		SIGN
		DATE
		PRINT
TITLE INTELLIGENT SERIES PDU P12E22M CUSTOMER DRAWING		
ITEM REVISION NAME		PANDUIT
DATASHEET FILE NAME:		
UNLESS OTHERWISE SPECIFIED DIMENSIONAL TOLERANCE ARE: mm [IN]		MATERIAL/COLOR: N/A
Tolerance(mm) 0<4.50 ±0.5 50<4.250 ±1.0 250<4.500 ±1.5 500<4.1000 ±2.5 1000<4.2000 ±4.0		DRAWING NUMBER: P12E22M_DC
DRAWN BY: WSJ	DATE: 09/22/2017	SCALE: SHT 1 OF 1
CHK: SEAN	SCALE: NONE	SCALE: B