



© Panduit Corp. 2009



Din Rail Modular I/O
(1) 4 or 8 Point 24vdc Input module
(1) 8 Point 24vdc Output Module



DB15 to Terminal Block Converter

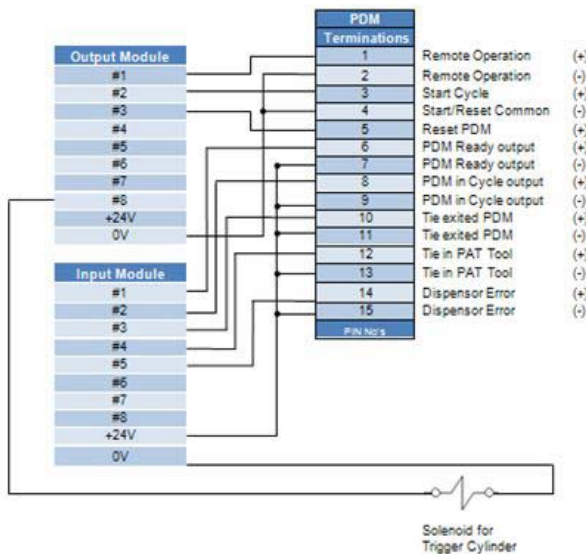


Straight Thru
15P - 15P Cable



Panduit
PDM

Wiring between DB 15 block converter and Din Rail Modular I/O



Quickstart Steps

1. Connect DB15 straight through cable from PDM to terminal block converter.
2. Wire terminal blocks to Din Rail modular Input card and Output card as in diagram.
3. Program I/O to sequence the cable tie application and to handle alarms. See example PLC code and wiring in PDM-EI instruction manual (PA26163A01).

Website: www.panduit.com
Email: cs@panduit.com

EU Website:
www.panduit.com/emea

EU Email: EMEA-
Toolservicecenter@panduit.com



Panduit Corp. • USA Headquarters • Tinley Park, IL
Tel: 888-506-5400, ext. 3255 • Fax: 630-759-7532

PANDUIT Europe • EMEA Headquarters
Tel: +31 (0) 546 580 452 • Fax: +31 (0) 546 580 441