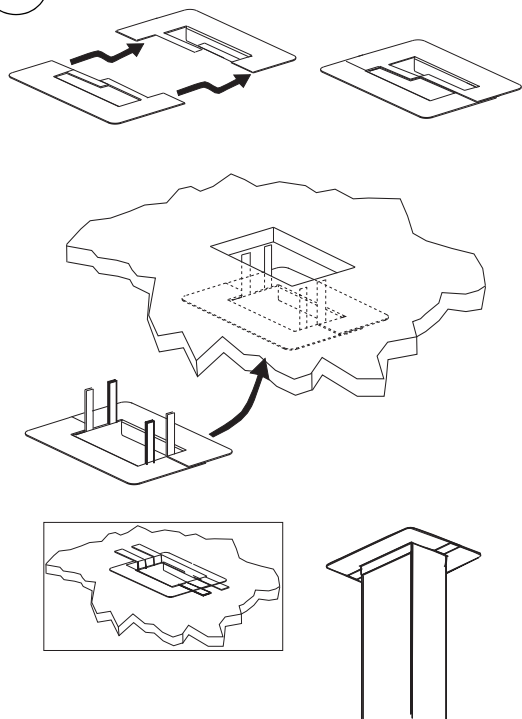
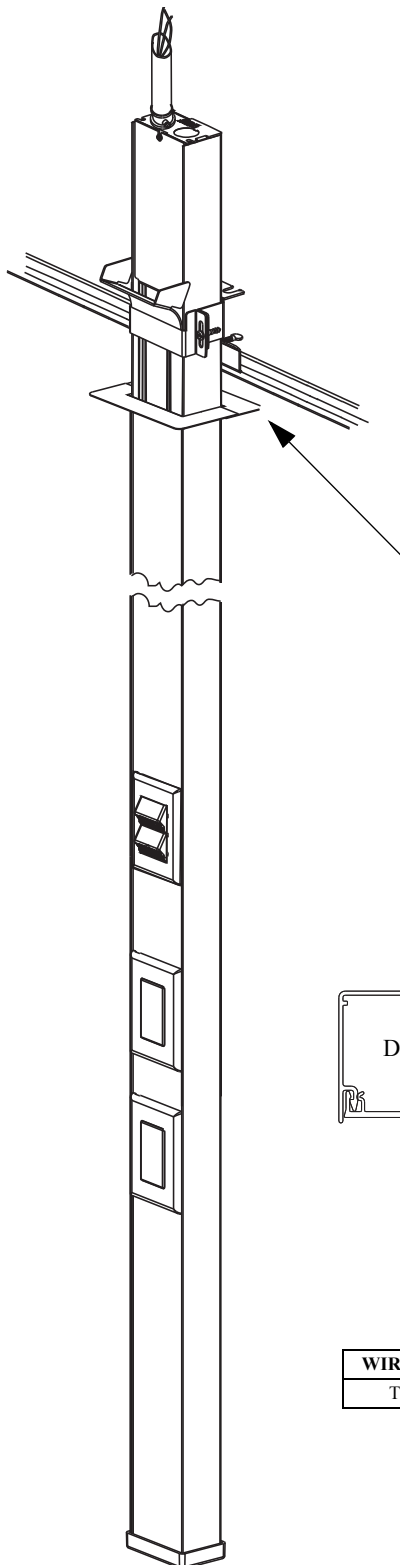


8

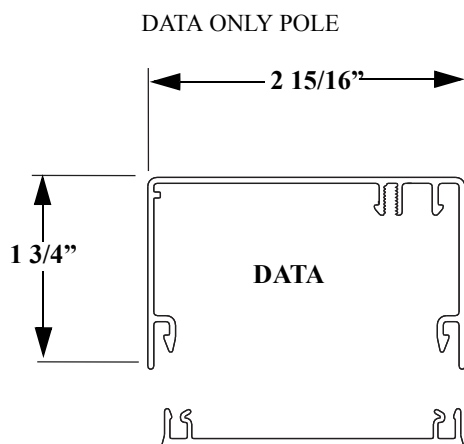
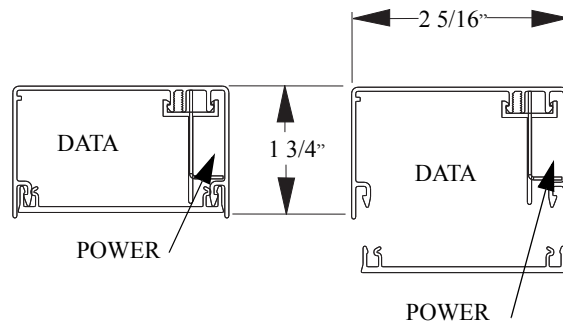


NOTE: ALL ELECTRICAL CONNECTIONS TO BE MADE IN ACCORDANCE WITH NEC/CEC REGULATIONS.



CAUTION: PLASTIC COVER IS NOT TO GO BEYOND TRIM INTO CEILING.

POWER AND COMMUNICATION POLE



***POWER WIRE FILLS**

WIRE TYPE	SIZE AWG	NO. OF WIRES
THHN	12	11

** WIRES NOT BUNDLED*

For Instructions in Local Languages and Technical Support:
www.panduit.com/resources/install_maintain.asp

PANDUIT
www.panduit.com

E-mail:
techsupport@panduit.com
 Fax:
 866-405-6654