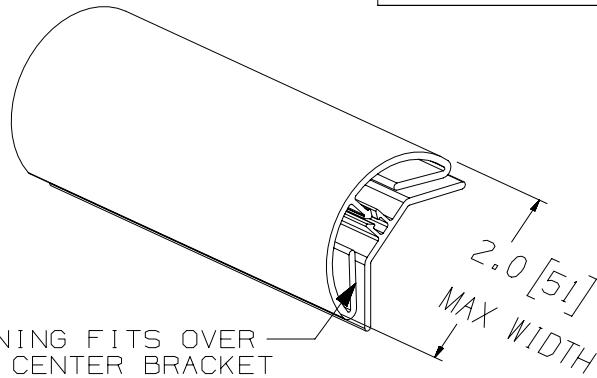
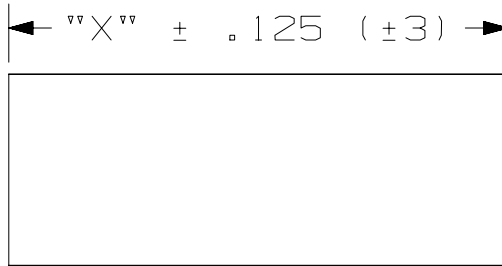


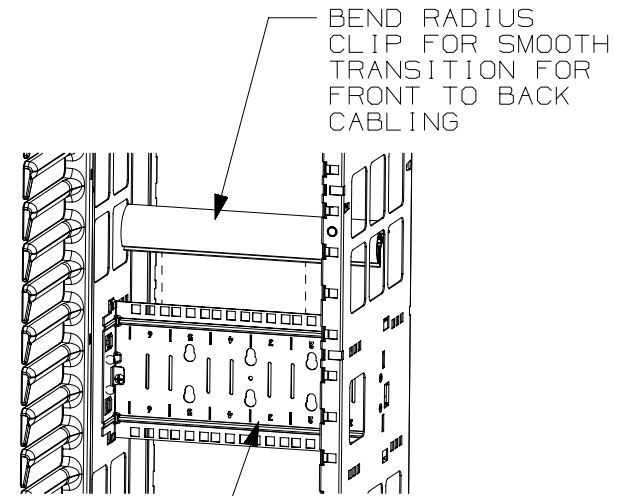
THIS COPY IS PROVIDED ON A RESTRICTED BASIS AND IS NOT TO BE USED IN ANY WAY DETRIMENTAL TO THE INTERESTS OF PANDUIT CORP.

NOTES:

- VISIT OUR ON-LINE CATALOG AT [WWW.PANDUIT.COM](http://WWW.PANDUIT.COM) FOR A CURRENT LIST OF PRODUCTS APPLICABLE FOR USE WITH THIS PART.
- COMPONENTS:  
 PEVBRC6 CONTAINS (4) CLIPS  
 PEVBRC8 CONTAINS (4) CLIPS  
 PEVBRC10 CONTAINS (4) CLIPS  
 PEVBRC12 CONTAINS (4) CLIPS
- DIMENSIONS IN PARENTHESIS ARE METRIC.



PANDUIT P/N	"X" IN (mm)	WEIGHT
PEVBRC6	5.1 (130)	1.6 LBS/EACH 0.7 Kg/EACH
PEVBRC8	7.1 (180)	2.0 LBS/EACH 0.9 Kg/EACH
PEVBRC10	9.1 (231)	2.4 LBS/EACH 1.1 Kg/EACH
PEVBRC12	11.1 (307)	2.8 LBS/EACH 1.3 Kg/EACH



PEV VERTICAL MANAGER CENTER PANEL

REV	DATE	BY	CHK	APR	DESCRIPTION	ECN
00B	5-27-15	TWV	BAME	KRKE	ADDED VIEW	10V179BE-DC
00A	3-21-11	BAME			DRAWING RELEASED	10V179BE-DC

TITLE <b>PATCHRUNNER HIGH CAPACITY VERTICAL MANAGER BEND RADIUS CLIP KIT (PEVBRCX)</b>				<b>PANDUIT</b>
CUSTOMER DRAWING				
ITEM REVISION NAME 10V179BE/00		DATASET FILE NAME 10V179BE_DC/00B		
UNLESS OTHERWISE SPECIFIED, DIMENSIONAL TOLERANCES ARE:				MATERIAL: <b>PLASTIC</b>
INCHES X.X +/- 0.03 X.XX +/- 0.018 X.XXX +/- 0.007	METRIC - MILLIMETER X.X +/- 0.8 X.X +/- 0.46 X.XX +/- 0.18	ANGLE +/- 1°		DRAWING NUMBER: 10V179BE-DC
DRAWN BY BAME		DATE 3-21-11	CHK NONE	SCALE NONE
THIRD ANGLE PROJECTION				SHT 1 OF 1
				SIZE A