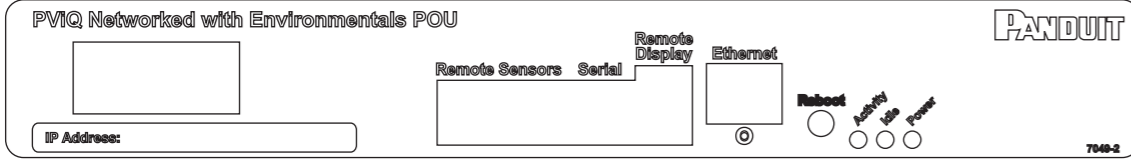


THIS COPY IS PROVIDED ON A RESTRICTED BASIS AND IS NOT TO BE USED IN ANY WAY DETRIMENTAL TO THE INTERESTS OF PANDUIT CORP.

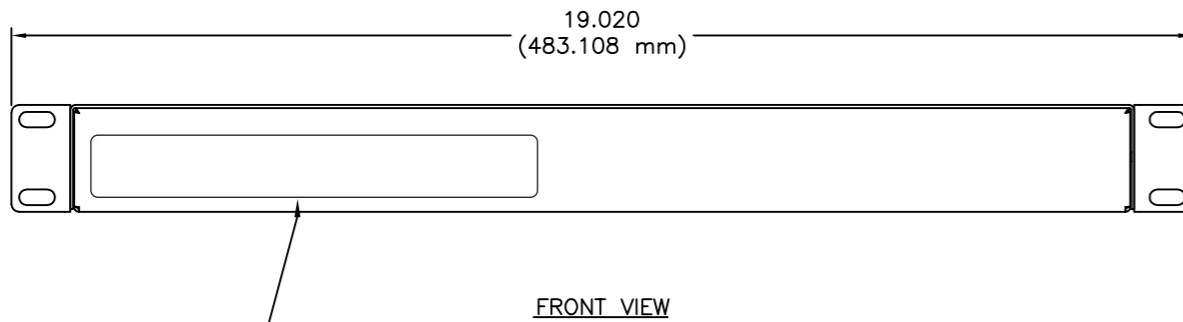
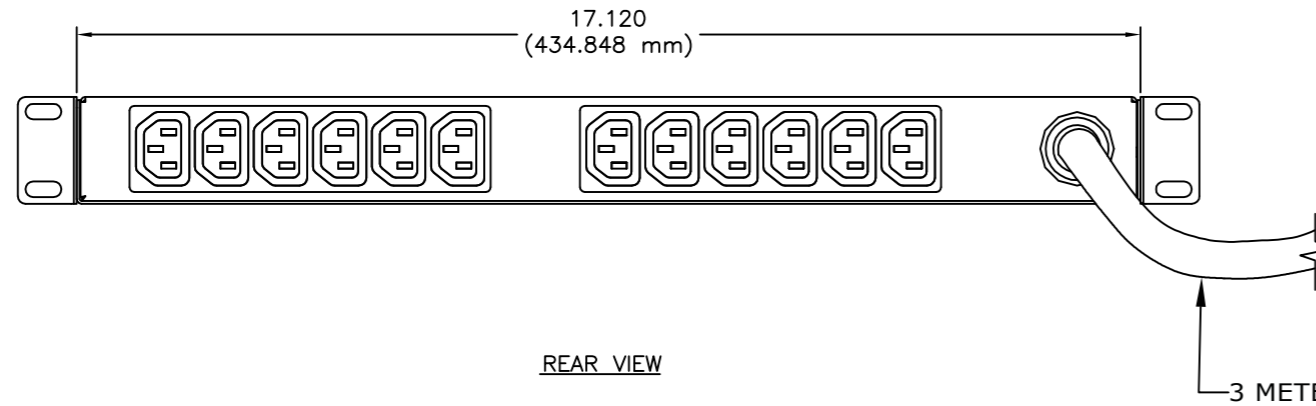


DETAIL A  
(SCALE 4X)

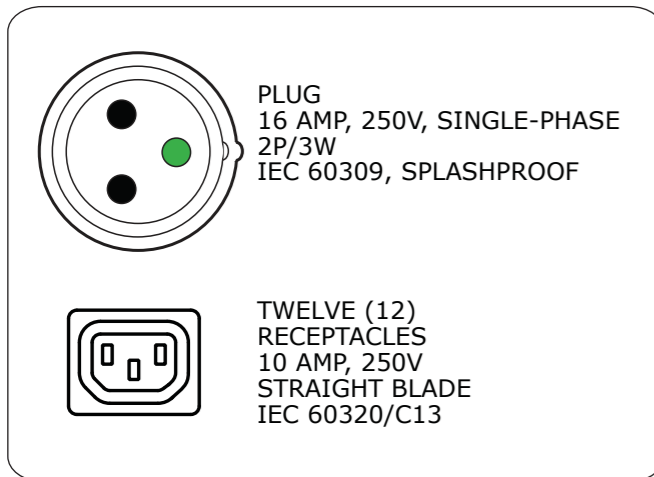
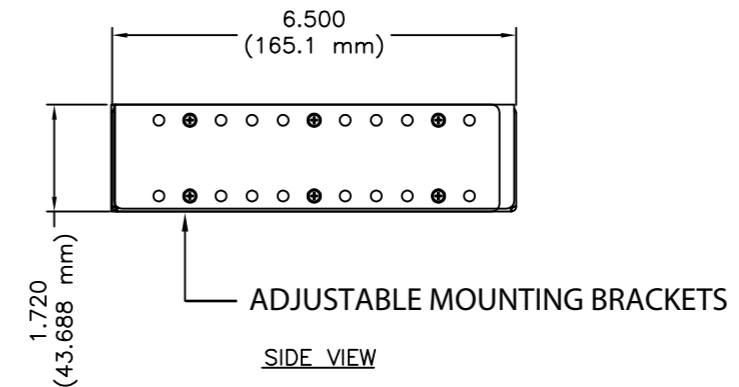
PANDUIT P/N	WEIGHT
PN1D2A0BA12M1	10 lb (4.5 kg)

- NOTES:
- IDENTIFICATION: 1RU HORIZONTAL, (10) C13 NETWORKED & ENVIRONMENTAL MONITORED 230V / 16A / SINGLE-PHASE POU  

PART NO.	COLOR
PN1D2A0BA12M1	BLACK
  - ACCESSORY COMPONENTS:  
 (4) M6 x 20mm MOUNTING SCREWS  
 (4) #12-24 x 1/2" MOUNTING SCREWS
  - HEXAGONS ARE FOR COMMUNICATION PURPOSES.
  - POWER (A,V,PF,KWH) MONITORING AND ENVIRONMENTAL SENSOR DATA CAN BE ACCESSED REMOTELY VIA ETHERNET CONNECTION, LOCAL DISPLAY, OR OPTIONAL REMOTE DISPLAY (PVQ-RD).
  - UNIT COMPLIES WITH IEC 60950-1, EN55022, EN55024, AND IS CE MARKED.
  - RoHS COMPLIANT.
  - VISIT OUR ON-LINE CATALOG AT WWW.PANDUIT.COM FOR A CURRENT LIST OF PRODUCTS APPLICABLE FOR USE WITH THIS PART.
  - MAXIMUM AVAILABLE INPUT POWER = 3.7 KW
  - INSTALLATION SHALL COMPLY WITH ALL APPLICABLE NATIONAL, STATE, AND LOCAL CODES.



NETWORKED ETHERNET CONNECTION  
(SEE DETAIL A)



REV	DATE	BY	CHK	DESCRIPTION	ECN	R	CUST	SUP	OTH
01A	8-27-12	PIP	MRWA	A. REVISED DETAIL A.	09V098JC				
00A	11-22-11	MRWA	KRKE	RELEASED TO PRODUCTION	09V098JC				

MODEL FILENAME	09V098JC/01.PRT	
CAD FILENAME/LAYERS	09V098JC_DC/01A.PRT	
<b>PANDUIT</b> CORP TINLEY PARK, ILLINOIS		
1RU HORIZONTAL, (10) C13 NETWORKED & ENVIRONMENTAL MONITORED CUSTOMER DRAWING		
UNLESS OTHERWISE SPECIFIED, DIMENSIONAL TOLERANCES ARE:		
INCHES	± 0.03	[METRIC - MILLIMETER] ANGLE
X.X	± 0.015	X. ± 0.8
X.XX	± 0.005	X.X ± 0.4
X.XXX	± 0.005	X.XXX ± 0.13
UNLESS OTHERWISE SPECIFIED, ALL DIMENSIONS ARE GIVEN IN INCHES, THIRD ANGLE PROJECTION		
SCALE	NONE	
DRAWING NO.	09V098JC	DWG SIZE
		B