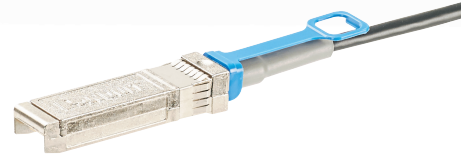


# SFP28 Passive Direct Attach Copper (DAC) Cable Assemblies

## Low Power, Low Latency 25 Gb/s Server Interconnect Solution for Top of Rack Switching Applications

High bandwidth interconnects are required for next generation data centers. Panduit offers SFP28 Direct Attach Copper Cable Assemblies. These passive cables provide a cost-effective solution for interconnecting high speed 25GbE switches and servers.

This high speed data transport capability is ideal as server virtualization becomes more prevalent. With multiple virtual machines, server I/O consolidation topology requires 25 Gb/s interconnects between top of rack switches and servers. By incorporating SFP28 Passive DAC Cable Assemblies into the physical infrastructure, businesses can achieve 25 Gigabit performance port-to-port without additional signal processing or conversion, providing a low power, low latency server interconnect for top of rack switching applications.



Key Features	Benefits
<b>100% performance tested</b>	Confidence that each assembly delivers specified performance for ensured network availability
<b>Compliant to SFF-8402, SFF-8432, and SFF-8472</b>	Ensuring 25 Gb/s performance when mated to any SFF-8402 SFP28 compliant host port
<b>Robust construction</b>	High speed 22 GHz twin-axial cable, with two shielded parallel pairs, factory terminated to SFP28 25 Gb/s hot pluggable modular connectors; rated to a minimum 250 mating cycles
<b>Low latency performance</b>	Ideal for high performance computer clustering and other latency sensitive applications
<b>Passive low power assembly</b>	Provides a low cost short reach interconnect option with no additional power draw
<b>Low profile</b>	Robust easy-to-use connector latching feature allows easy installation in belly-to-belly high density installations
<b>Small diameter cable design</b>	Enables proper cable management and improved air flow
<b>Built-in strain relief</b>	Ensures proper bend radius control for reliable deployment
<b>Variety of lengths</b>	1 to 5 meters (1 meter increments) for design flexibility and optimum airflow

### Key Applications Include:

- Top of Rack Switching
- I/O Consolidation
- Fibre Channel Over Ethernet (FCOE)
- 25 Gigabit Ethernet
- 16 Gb/s Fibre Channel
- High Performance Computer Clustering

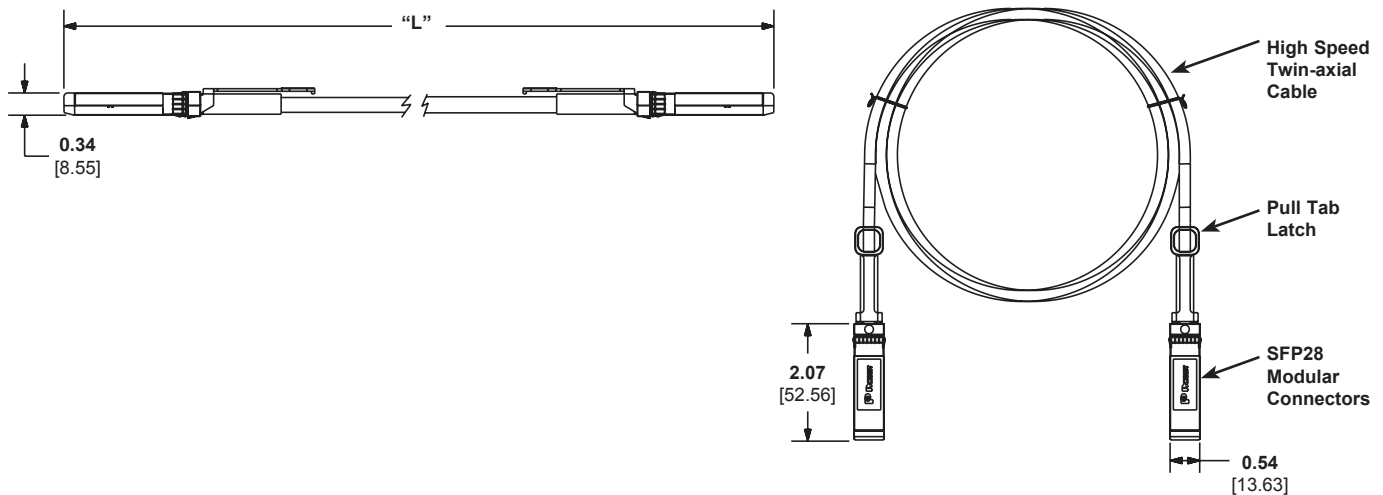
# SFP28 Passive Direct Attach Copper (DAC) Cable Assemblies

## Technical Information

Characteristic impedance	100 ± 5 Ω
Temperature range	-25°C to 80°C (-13°F to 176°F)
IEC flame compliance	IEC 60332, 60333, 60324
Bend radius	5 x O.D. single time, 10 x O.D. repeated times
Insertion force to cage	18N (4 lbf.) maximum
Withdrawal force from cage	12.5N (2.8 lbf.) maximum
Retention force	90 – 170N (20 – 38 lbf.)
ROHS status	Compliant

## Ordering Information

Part Number	Length (m)	Length (ft.)	Cable Gauge	Nominal Cable O.D.		Cable Jacket
				mm	Inches	
PSF2PXA1MBL	1	3.3	30 AWG	4.1	0.161	PVC
PSF2PXA2MBL	2	6.6	30 AWG	4.1	0.161	PVC
PSF2PXA3MBL	3	9.8	30 AWG	4.1	0.161	PVC
PSF2PXC4MBL	4	13.1	26 AWG	4.9	0.193	PVC
PSF2PXC5MBL	5	16.4	26 AWG	4.9	0.193	PVC



### WORLDWIDE SUBSIDIARIES AND SALES OFFICES

PANDUIT CANADA  
Markham, Ontario  
cs@panduit.com  
Phone: 800.777.3300

PANDUIT EUROPE LTD.  
London, UK  
cs-emea@panduit.com  
Phone: 44.20.8601.7200

PANDUIT SINGAPORE PTE. LTD.  
Republic of Singapore  
cs-ap@panduit.com  
Phone: 65.6305.7575

PANDUIT JAPAN  
Tokyo, Japan  
cs-japan@panduit.com  
Phone: 81.3.6863.6000

PANDUIT LATIN AMERICA  
Guadalajara, Mexico  
cs-la@panduit.com  
Phone: 52.33.3777.6000

PANDUIT AUSTRALIA PTY. LTD.  
Victoria, Australia  
cs-aus@panduit.com  
Phone: 61.3.9794.9020

For a copy of Panduit product warranties, log on to [www.panduit.com/warranty](http://www.panduit.com/warranty)

For more information

Visit us at [www.panduit.com](http://www.panduit.com)

Contact Customer Service by email: [cs@panduit.com](mailto:cs@panduit.com)  
or by phone: 800.777.3300

**PANDUIT**<sup>®</sup>

©2017 Panduit Corp.  
ALL RIGHTS RESERVED.  
COCB32--SA-ENG  
2/2017