

THIS COPY IS PROVIDED ON A RESTRICTED BASIS AND IS NOT TO BE USED IN ANY WAY DETRIMENTAL TO THE INTERESTS OF PANDUIT CORP.

Part number		STUD SIZE	Maximum insulation diameter	DIMENSIONS in.			
Prefix	PK			A <sup>±.03 (.8)</sup>	W <sup>±.010 (.25)</sup>	C MM	G <sup>±.03 (.8)</sup>
PV14-6FF	-C -M	#6	.165 (4,19)	.88 (23,4)	.28 (7,1)	.19 (4,8)	.72 (18,3)
PV14-8FF	-C -M	#8		.94 (23,9)	.31 (7,9)	.23 (5,8)	.76 (19,3)
PV14-10FF	-C -M	#10		.94 (23,9)	.35 (8,9)	.23 (5,8)	.76 (19,3)

**NOTES:**

**1. Used for:**

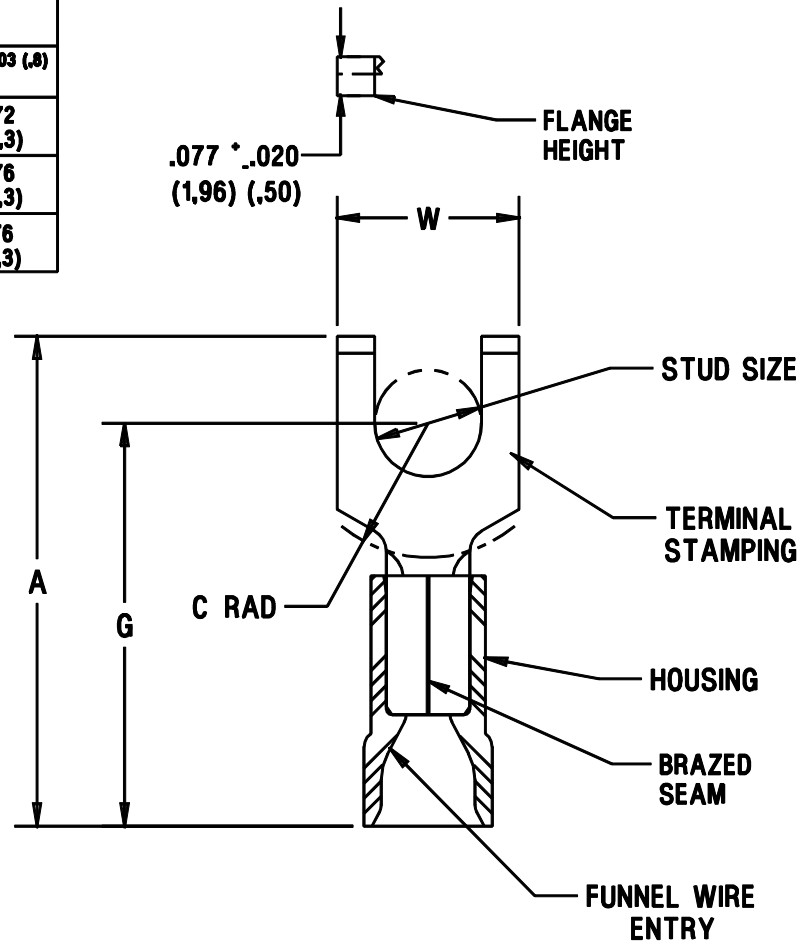
- A. 600 max voltage rating.
- B. #16-14 AWG Solid or stranded copper wire range, Temperature rating of insulation: 105°C(221°F) with CT-1551, CT-1550 installation tools.
- C. #16-14 AWG Solid or stranded copper wire range, 75°C(167°F) max temp rating with CT-100 installation tool

**2. Wire strip length:** 5/16 <sup>+1/32</sup> <sub>-0</sub> (7,9 <sup>+0,8</sup> <sub>-0</sub>)

**3. Package Quantity (Suffix to basic part no.)**  
 A. Standard -C=100  
 B. Bulk -M=1000

**4. Material:**  
 A. Stamping: .032 (.81) thick tin plated copper  
 B. Housing: Blue vinyl

**5. Dimensions in brackets are in millimeters**



A41573\_03

03	01/01	EJS		FILE SPEC WAS IN41573AA_PCD_02.REMOVED INSTALLATION TOOLS FROM NOTE 1-3, ADDED "FLANGE HEIGHT" NOTE TO DWG, UPDATED NOTE 1-3 TO TEMP RATING OF INSULATION: 105°C(221°F)				
02	5/99	JKD	SKB	ADDED CT-1551 & CT-1550 TOOLS	07632	TRO	JCJ	
01	11/94	MS		ADDED UL/CSA APPROVAL SYMBOLS	02639	JJM	LA	
00	8/94	MS	WJB	RELEASED	02387	KS	LA	
REV	DATE	BY	CHK	DESCRIPTION	ECN NO.	PM	CUST	DRAWN BY MS Ck'D SCALE NONE DRAWING NO. A41573