

PanView iQ™ Interconnect Fiber Patch Cords – Plenum (OFNP)

specifications

Interconnect fiber patch cords shall include a PanView iQ™ LC Connector on one end, which shall include a copper conductor on top of the plug, which shall mate with a PanView iQ™ patch panel. The other end of the Interconnect fiber patch cord shall include a standard, duplex LC connector, which shall be compatible with LC based transceiver interfaces in equipment such as switches and routers. The fiber patch cords shall be available in singlemode and multimode configuration. Fiber interconnect cords shall enable intelligent physical infrastructure management for interconnect architecture by verifying switch port connection and communicating with the system software to allow improved network visibility.



technical information

Standard requirements:	All connectors exceed TIA/EIA-455-21A: 500 mating cycles Compliant with: TIA/EIA-568-C.3 and ISO/IEC 11801 IEC-61754-20 (International Interface Standard) TIA-604-10 (FOCIS-10) NFPA 262 (OFNP) flame ratings
Insertion loss:	Per connection: 0.10dB typical, 0.25dB max. (OM3, OM4) 0.35dB max. (LC singlemode)
Return loss:	26dB min. (10Gig multimode) 55dB min. (singlemode)
Intermateability requirements:	Meet all individual type requirements
Packaging:	Supplied one per bag, carton of 10

key features and benefits

100% performance tested	Assurance that each patch cord will deliver the critical optical performance requirements
Documented metrics	Insertion loss data recorded for every patch cord
Lifetime traceability	Test data is traceable to a QC number on each patch cord
Metallic continuity element	Provides continuity through the connector enabling the PanView iQ™ System to robustly monitor patch cord connectivity
Plenum Rated Jacket	Meets NFPA 262 (OFNP) flame ratings for standard compliant safety
Singlemode endface	Every singlemode end face is inspected to be in 100% compliance with geometry as defined in Telcordia GR-326-CORE, Issue 3. UPC polishing delivers return loss of 55dB minimum
Certified 10 GbE performance	10Gig patch cords and pigtails are tested per IEEE 802.3ae 10 GbE to support network transmission speeds up to 10 Gb/s for link lengths up to 300m for OM3 and up to 550 meters for OM4 at 850nm to assure high performance and reliability
Variety of length	Meets individual length requirements for greater system flexibility

applications

Panduit's PanView iQ™ System Hardware, which includes intelligent patch panels, modules and cabling, seamlessly feeds information directly into the Physical Infrastructure Manager (PIM™) Software Platform to provide continuous real-time patch field monitoring and visibility of physical infrastructure connectivity, for enhanced system reliability and security, and capacity management. PViQ™ Patch Panels support tiered installations to provide customers with the flexibility of installing

passive connectivity that may be upgraded to fully managed at a future time. PanView iQ™ Interconnect Fiber Patch Cords enable intelligent physical infrastructure management for interconnect architectures by communicating with the system software, to allow improved network visibility. Interconnect fiber patch cords can reduce patch panel requirements by 50% over cross-connect designs, reducing installation and deployment costs.

PanView iQ™ System

PanView iQ™ Fiber Patch Cords

Singlemode LC-PViQ LC OFNP:	PVQ9PE10LQM##.#
OM3 Multimode LC-PViQ LC, OFNP:	PVQXPE10LQM##.#
OM4 Multimode LC-PViQ LC, OFNP:	PVQZPE10LQM##.#

PanView iQ™ Fiber Trays

Modular, intelligent, blank 24-port no adapters:	PVQ-FMT
OM3 multimode MTP:	PVQ-FMTMTP-ZX
OM4 multimode MTP:	PVQ-FMTMTP-ZZ
singlemode MTP:	PVQ-FMTMTP-9

PanView iQ™ Intelligence Modules

Panel manager (PM):	PVQ-PM
Expansion module (EM):	PVQ-EM

NOTE: PM requires PanView iQ™ Power Supply (not included).

PanView iQ™ Power Supply

12 volt power supply (North America):	PVQ-PS12VDC-S
(Europe):	PVQ-PS12VDC-E
(UK):	PVQ-PS12VDC-U
(Japan):	PVQ-PS12VDC-J
(China):	PVQ-PS12VDC-C

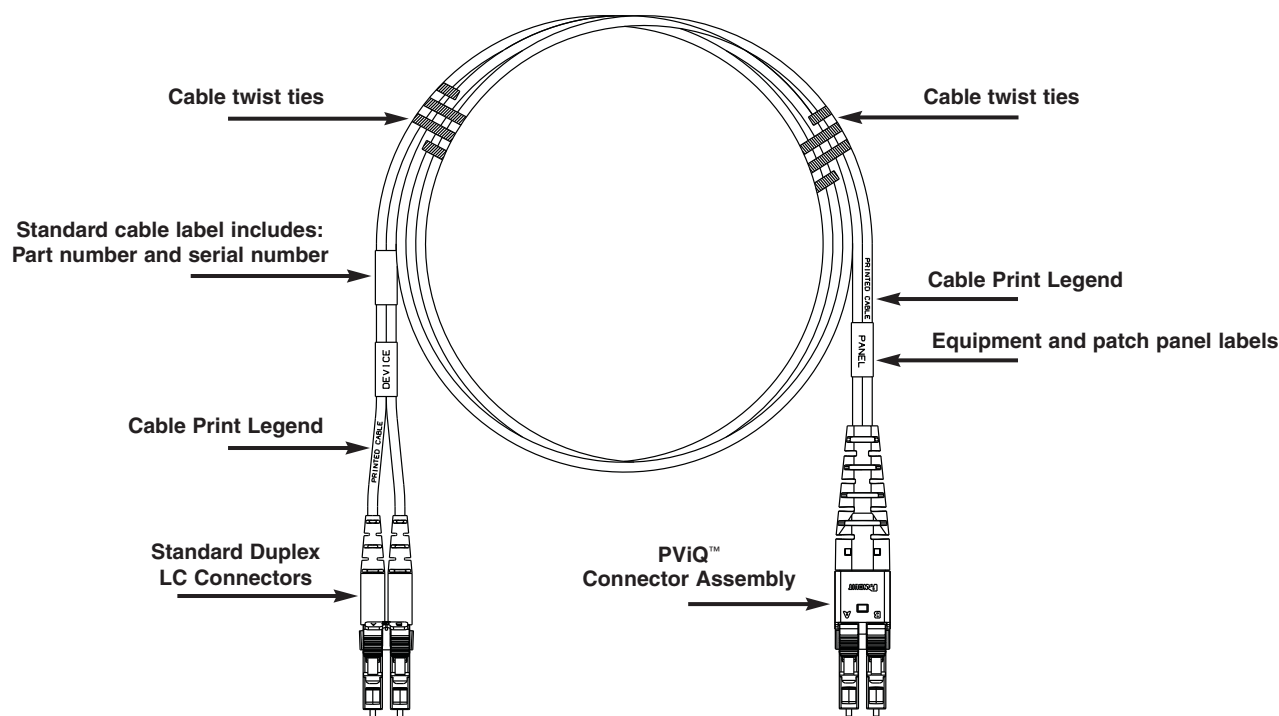
PIM™ Software Platform and Modules

Base functionality module:	PIM-BASE
Connectivity management module:	PIM-CONNECT*
Maintenance support, and warranty agreement:	PIM-CAMA
Software and documentation:	PIM-MEDIA

##.# — Available in ½ meter length increments from 00.5m to 10.0m

*To order this module, add the appropriate letter to the end of the part number, based on the size of the installation: -S (<50 racks); -M (50-199 racks); -L (200-399 racks); -X (400+ racks). For example, the part number for the Connectivity Management Module for 250 racks is PIM-CONNECT-L.

PanView iQ™ Interconnect Fiber Patch Cords – Plenum (OFNP)



Example Description: PVQ9PE10LQM05.0 = PanView™ Interconnect Fiber Patch Cord, 9/125µm singlemode, OFNP 1.6mm jacketed, standard duplex LC – to – PanView™ Duplex LC, 5.0 meters long

P	V	Q	9	P	E	1	0	L	Q	M	0	5	.	0
1	2	3	4	5	6	7	8	9	10	11	12	13	14	15

1, 2, and 3 – Product Family

PVQ – PanView iQ™ Interconnect Cords
(Std. Duplex LC – to – PanView LC)

4 – Fiber Type

9 – OS1/OS2 9/125µm singlemode
X – OM3 10Gig 50/125µm
Z – OM4 10Gig 50/125µm

5 – Jacket Rating

P - Plenum (OFNP)

6 – Jacket Diameter

E – 1.6mm Duplex Zip Cord Cable

7 and 8 – Connector A

10 – Standard LC duplex fiber connector

9 and 10 – Connector B

LQ – PanView™ LC Duplex Fiber Connector

11 – Length Unit of Measure

M – Meters

12, 13, 14 and 15 – Length in Meters

Available: 00.5 – 10.0 in ½ meter increments

WORLDWIDE SUBSIDIARIES AND SALES OFFICES

PANDUIT CANADA
Markham, Ontario
cs-cdn@panduit.com
Phone: 800.777.3300

PANDUIT EUROPE LTD.
London, UK
cs-emea@panduit.com
Phone: 44.20.8601.7200

PANDUIT SINGAPORE PTE. LTD.
Republic of Singapore
cs-ap@panduit.com
Phone: 65.6305.7575

PANDUIT JAPAN
Tokyo, Japan
cs-japan@panduit.com
Phone: 81.3.6863.6000

PANDUIT LATIN AMERICA
Guadalajara, Mexico
cs-la@panduit.com
Phone: 52.33.3777.6000

PANDUIT AUSTRALIA PTY. LTD.
Victoria, Australia
cs-aus@panduit.com
Phone: 61.3.9794.9020

For a copy of Panduit product warranties, log on to www.panduit.com/warranty

For more information

Visit us at www.panduit.com

Contact Customer Service by email: cs@panduit.com
or by phone: 800.777.3300 and reference PVSP64--WW-ENG

PANDUIT®

©2012 Panduit Corp.
ALL RIGHTS RESERVED.
PVSP64--WW-ENG
5/2012