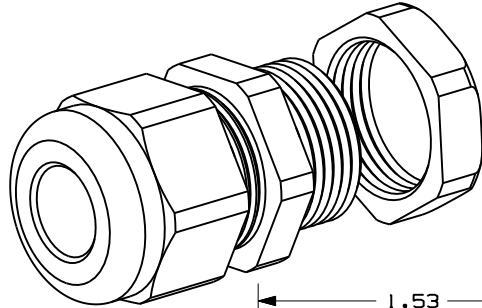


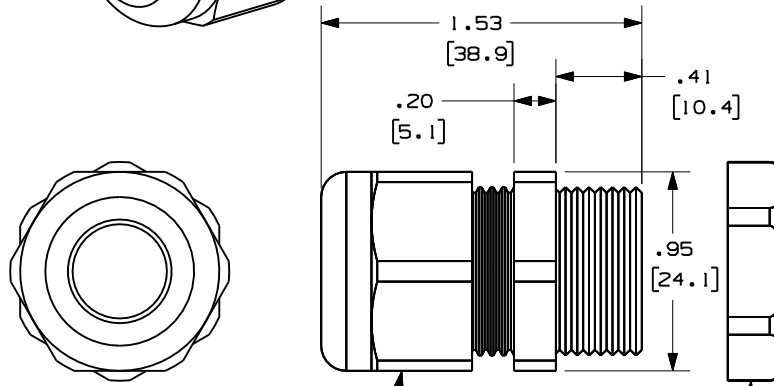
THIS COPY IS PROVIDED ON A RESTRICTED BASIS AND IS NOT TO BE USED IN ANY WAY DETRIMENTAL TO THE INTERESTS OF PANDUIT CORP.



PANDUIT P/N	WEIGHT
PZNF3	.06 LBS EACH (27.2g EACH)

NOTES:

- SEE CURRENT CATALOG FOR COMPLETE LIST OF PARTS APPLICABLE FOR USE WITH THIS PRODUCT.
- DIMENSIONS IN PARENTHESES ARE IN METRIC.
- KIT INCLUDES:
  - 1 - LIQUID TIGHT NEMA 4X FITTING
  - 1 - SILICONE SEALANT PACK
  - 1 - APPLICATION STICK



SEALING NUT

LOCKNUT

MODEL FILENAME V10396BE\_HEYCO-3217\_00.prt

CAD FILENAME/LAYERS V10396BE\_DC\_00A.prt (1)

**PANDUIT** CORP. TINLEY PARK, ILLINOIS  
 PANZONE™ NEMA 4X FITTING KIT (PZNF3)  
 (.170" - .450" DIA CABLE RANGE)  
 CUSTOMER DRAWING

UNLESS OTHERWISE SPECIFIED,  
 DIMENSIONAL TOLERANCES ARE:  
 (.X) ± .03 (.XXX) ± .005  
 (.XX) ± .01 ANGLES ± 1°

UNLESS OTHERWISE SPECIFIED,  
 ALL DIMENSIONS ARE GIVEN  
 IN INCHES, THIRD ANGLE PROJECTION.

DRAWN BY RYB

MAT'L:

SCALE 1.5X

DATE 2/20/07

SEE NOTES

DRAWING NO.

10396-14

DWG  
A  
SIZE

CHK'D

REV	DATE	BY	CHK	DESCRIPTION	ECN	R	CUST	SUP	OTH
00	2/20/07	RYB		RELEASED TO PRODUCTION	10396-14				