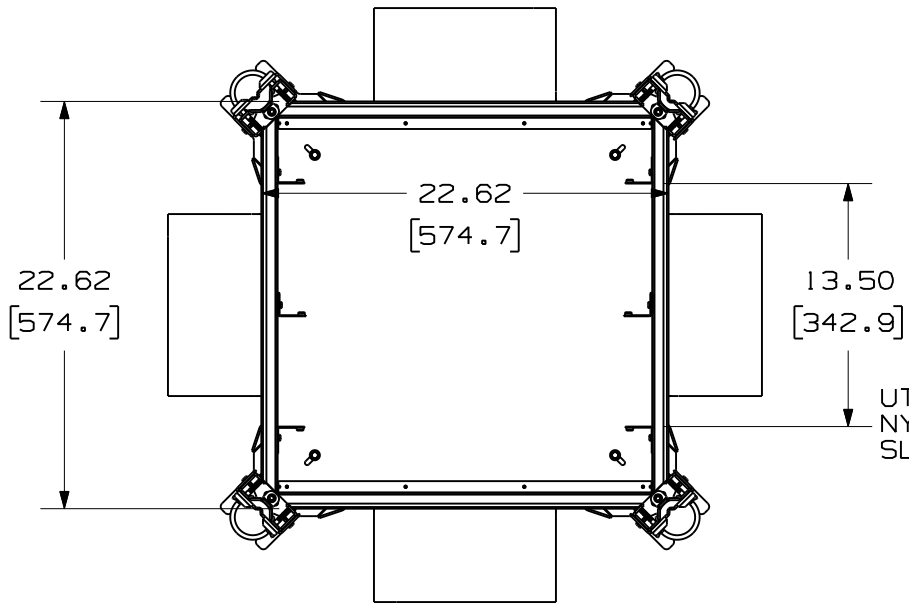


THIS COPY IS PROVIDED ON A RESTRICTED BASIS AND IS NOT TO BE USED IN ANY WAY DETRIMENTAL TO THE INTERESTS OF PANDUIT CORP.

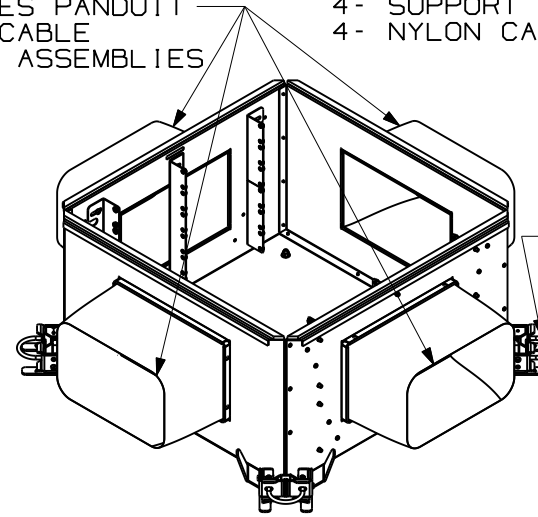
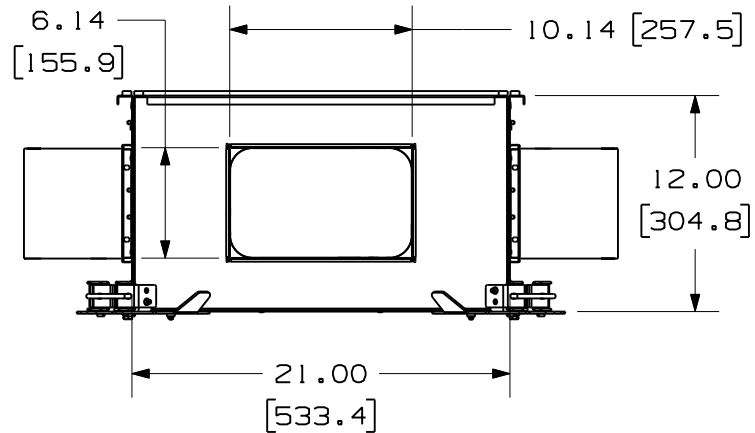
PANDUIT P/N	WEIGHT
PZRFE12U	17.6 LB/EACH PC (8.00 kg/EACH PC)



UTILIZES PANDUIT NYLON CABLE SLEEVE ASSEMBLIES

NOTES:

1. SEE CURRENT CATALOG FOR ADDITIONAL PART NUMBER SUFFIXES TO INDICATE COLOR AND OR PACKAGE QUANTITY.
2. SEE CATALOG FOR COMPLETE LIST OF PARTS APPLICABLE FOR USE WITH THIS PART.
3. DIMENSIONS IN PARENTHESES ARE IN METRIC.
4. PART INCLUDES:  
1- ENCLOSURE  
4- SUPPORT MOUNTING BRACKETS  
4- NYLON CABLE SLEEVES



MODEL FILENAME V10560AJ/00

CAD FILENAME/LAYERS V10560AJ\_DC/00A

**PANDUIT** CORP. TINLEY PARK, ILLINOIS

PANZONE RAISED FLOOR ENCLOSURE  
12 RACK SPACES (PZRFE12U)  
CUSTOMER DRAWING

UNLESS OTHERWISE SPECIFIED, DIMENSIONAL TOLERANCES ARE:  
(.X) ± (.XXX) ±.010(.3)  
(.XX) ±.03(.8) ANGLES ±

UNLESS OTHERWISE SPECIFIED, ALL DIMENSIONS ARE GIVEN IN INCHES, THIRD ANGLE PROJECTION.

DRAWN BY BAME

MAT'L:

SCALE NONE

DATE 5-19-10

DRAWING NO. V10560AJ-DC

DWG

CHECKED BY RYB

PAGE 1 OF 2

SIZE A

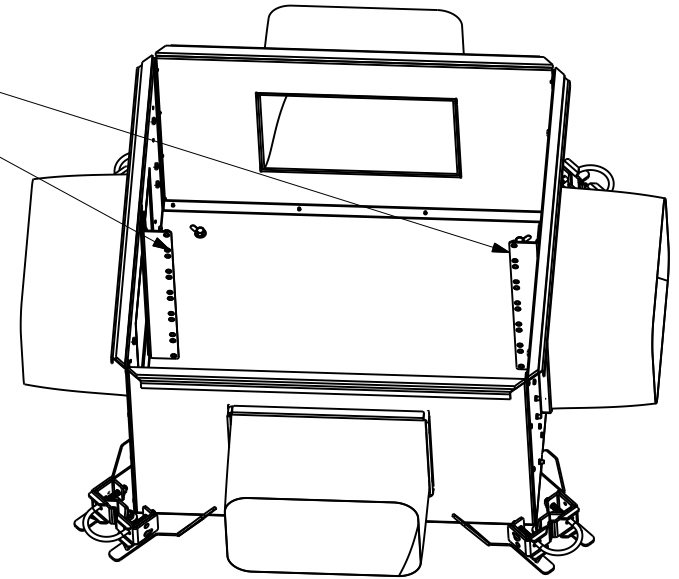
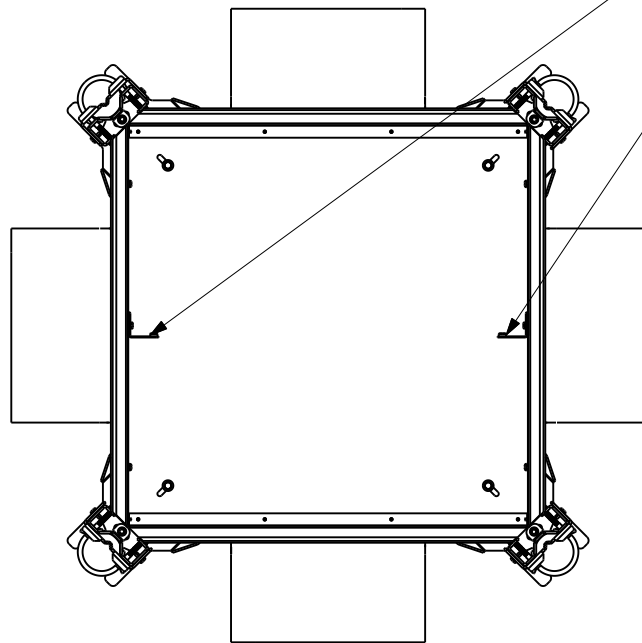
REV	DATE	BY	CHK	DESCRIPTION	ECN	CHK	CUST	SUP
OOA	5-19-10	BAME	RYB	RELEASED FOR PRODUCTION	V10560AJ-DC			

THIS COPY IS PROVIDED ON A RESTRICTED BASIS AND IS NOT TO BE USED IN ANY WAY DETRIMENTAL TO THE INTERESTS OF PANDUIT CORP.

PRETERMINATED CONFIGURATION

ALLOWS ADDITIONAL SPACE BEHIND  
PATCH PANELS FOR COPPER AND/OR  
FIBER CASSETTES

CENTER MOUNTING BRACKETS OF THE ENCLOSURE  
USED FOR ADDITIONAL COPPER AND FIBER  
CASSETTE DEPTH REQUIREMENT



6 RACK SPACE  
CONFIGURATION

MODEL FILENAME V10560AJ/00

CAD FILENAME/LAYERS V10560AJ\_DC/00A

**PANDUIT** CORP. TINLEY PARK, ILLINOIS

PANZONE RAISED FLOOR ENCLOSURE  
12 RACK SPACES (PZRFE12U)  
CUSTOMER DRAWING

UNLESS OTHERWISE SPECIFIED,  
DIMENSIONAL TOLERANCES ARE:  
(.X) ± (.XXX) ±.010(.3)  
(.XX) ±.03(.8) ANGLES ±

UNLESS OTHERWISE SPECIFIED,  
ALL DIMENSIONS ARE GIVEN  
IN INCHES, THIRD ANGLE PROJECTION.

DRAWN BY BAME

MAT'L:

SCALE NONE

DATE 5-19-10

DRAWING NO. V10560AJ-DC

DWG

CHECKED BY RYB

PAGE 2 OF 2

SIZE A

REV	DATE	BY	CHK	DESCRIPTION	ECN	CHK	CUST	SUP
OOA	5-19-10	BAME	RYB	SEE PAGE 1 FOR REVISIONS	V10560AJ-DC			