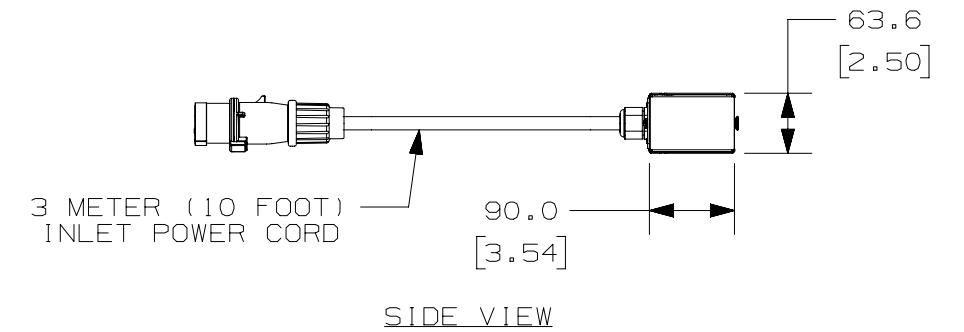
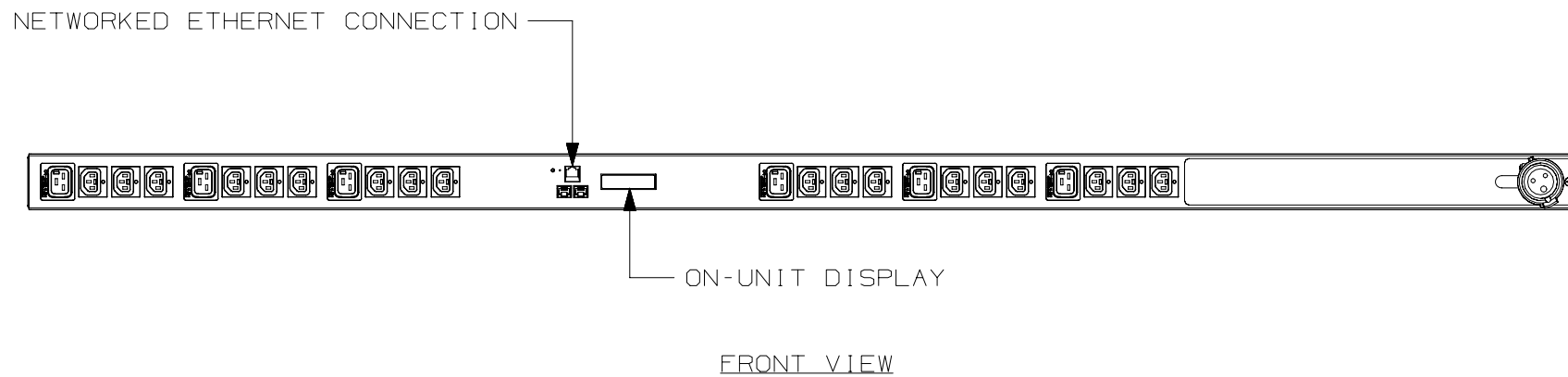
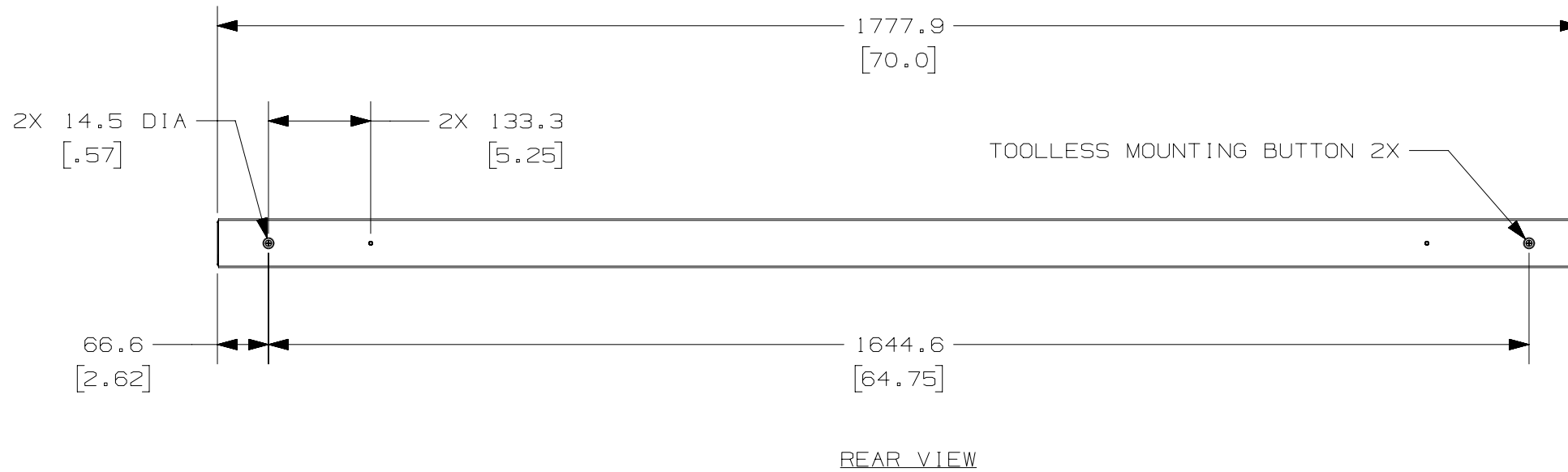


PANDUIT P/N	WEIGHT
Q1T1B3H0A24AFA0	X.XXkg (XX.Xlb)

NOTES:

- IDENTIFICATION: VERTICAL, MIXED (18) C13 LOCKING & (6) C19 LOCKING, NETWORK-ENABLED MONITORED WITH MONITORED PER OUTLET, 230V / 16A / SINGLE-PHASE PDU
- ACCESSORY COMPONENTS: (1) QUICK-START GUIDE
- PRIMARY DIMENSIONS ARE IN MILLIMETERS, SECONDARY DIMENSIONS IN [INCHES]
- INPUT POWER (AMPS, VOLTS, kWh, kVA, POWER FACTOR, FREQUENCY) MONITORING. DATA CAN BE ACCESSED ON UNIT DISPLAY OR REMOTELY WHEN CONNECTED VIA ETHERNET CONNECTION
- OUTLET LEVEL POWER (AMPS, VOLTS, POWER FACTOR, FREQUENCY) MONITORING CAN BE ACCESSED REMOTELY VIA ETHERNET CONNECTION
- RoHS COMPLIANT
- VISIT OUR ON-LINE CATALOG AT WWW.PANDUIT.COM FOR A CURRENT LIST OF PRODUCTS APPLICABLE FOR USE WITH THIS PART
- MAXIMUM AVAILABLE INPUT POWER = 3.7 kW
- INSTALLATION SHALL COMPLY WITH ALL APPLICABLE NATIONAL, STATE, AND LOCAL CODES

PART NO. COLOR
 Q1T1B3H0A24AFA0 BLACK



PLUG
16 AMP, 250V
2P/3W
IEC 60309, SPLASHPROOF

EIGHTEEN (18)
LOCKING RECEPTACLES
10 AMP, 250V
STRAIGHT BLADE
IEC 60320/C13

SIX (6)
LOCKING RECEPTACLES
16 AMP, 250V
STRAIGHT BLADE
IEC 60320/C19

REV	DATE	BY	CHK	APR	DESCRIPTION	ECN
00A	2-5-15	MRWA	GLM	EDM	RELEASED TO PRODUCTION	12V092CE

WE ASK THAT YOU CHECK FULLY THE DIMENSIONS, NOTES, AND SIGN THE CLIENT SIGNATURE BOX.
 THE JOB WILL NOT PROGRESS WITHOUT SIGNED APPROVAL. PLEASE DO NOT DELAY IN RETURNING PROOF AS IT WILL AFFECT DELIVERY.

SIGN	DATE	PRINT
------	------	-------

TITLE
SMARTZONE NETWORK-ENABLED MPO SERIES RACK PDU
Q1T1B3H0A24AFA0
 CUSTOMER DRAWING

ITEM REVISION NAME
 12V092CE/00.PRT

DATASET FILE NAME
 12V092CE_DC/00A.PRT

UNLESS OTHERWISE SPECIFIED, DIMENSIONAL TOLERANCES ARE:
 INCHES: X.X +/-, X.XX +/-, X.XXX +/-
 METRIC - MILLIMETER: X +/-, X.X +/-, X.XX +/-
 ANGLE: +/-

MATERIAL/COLOR:
 N/A

DRAWING NUMBER:
 12V092CE_DC

THIRD ANGLE PROJECTION

DRAWN BY: MRWA, DATE: 2-5-15, CHK: GLM, SCALE: NTS

SHT 1 OF 1, SIZE: B