

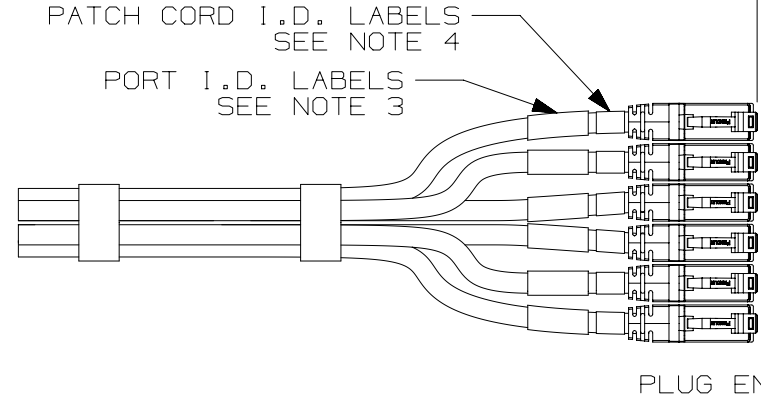
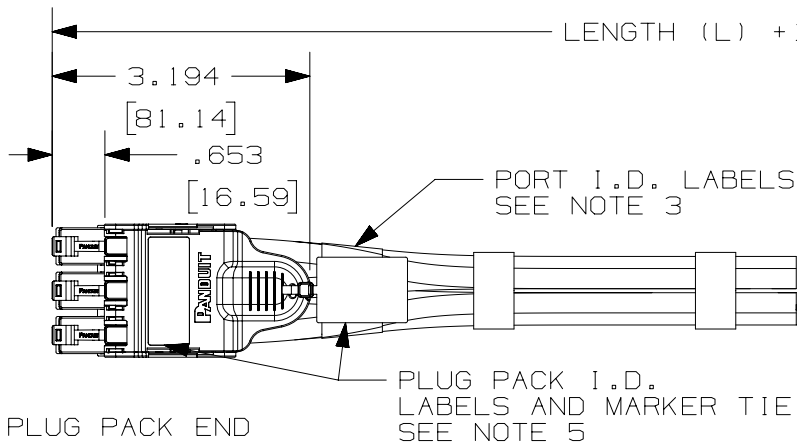
THIS COPY IS PROVIDED ON A RESTRICTED BASIS AND IS NOT TO BE USED IN ANY WAY DETRIMENTAL TO THE INTERESTS OF PANDUIT CORP.

TABLE 1

PLUG PACK	CUSTOMER DRAWING#
6-POSITION	02802-19
8-POSITION	02802-25
12-POSITION	02802-26
RECESSED	03073-06

NOTES:

- HARNESS IS AVAILABLE IN PLUG PACK/PLUG, AND PLUG/PLUG CONFIGURATIONS. SEE CHART ON SHEET 2 FOR PRODUCT OPTIONS
- PATCH CORDS ARE BUNDLED USING HLS VELCRO STRAPS AT 12" (305mm) SPACING.
- EACH PATCH CORD IS SEQUENTIALLY NUMBERED AT BOTH ENDS WITH PORT ID LABELS.
- PATCH CORD ID LABELS CONTAIN PATCH CORD PERFORMANCE, PART#, LENGTH(L), AND QC#.
- PLUG PACK ID LABELS AND PLFIMA MARKER TIES ARE INCLUDED FOR CUSTOMER APPLIED SWITCH AND PORT IDENTIFICATION.
FOR PRINTABLE LABEL OPTIONS, REFER TO PANDUIT C125X030FJJ, C125X030YPT AND C125X030FJC.
- PATCH CORDS ARE 100% PERFORMANCE TESTED
- SEE CATALOG FOR OPTIONAL REMOVAL TOOL (QPRT) AND LOCK-IN DEVICE (QPPLD*)



6-CABLE ASSEMBLY
PLUG PACK TO
PLUG SHOWN

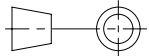
PART NUMBER	QPP*****	PRODUCT SPEC/PKG SPEC	N/A
I.I. NUMBER	N/A	WORK INSTRUCTION	N/A
TITLE			
QUICKNET SWITCH PATCHING HARNESS			
CUSTOMER DRAWING			
ITEM REVISION NAME		PANDUIT	
M02802EH/01			
DATASET FILE NAME			
M02802EH_DC31/01F		MATERIAL:	
UNLESS OTHERWISE SPECIFIED, DIMENSIONAL TOLERANCES ARE: IN [mm]		DRAWING NUMBER:	
.x ± .1 [2.54] .xxx ± .005 [.127]		02802-31	
.xx ± .01 [.25] ANGLES ± 5 °			
		THIRD ANGLE PROJECTION	
DRAWN BY	DATE	CHK	SCALE
MDJr	10-25-07	WFMI	NONE
REV	DATE	BY	CHK
3	12-18-13	BJN	WFMI
4	8-21-18	MDJR	ROJC
DESCRIPTION			
E. UPDATED MATRIX ON SHEET 2 TO MATCH AVAILABLE OPTIONS.			
D. CHANGED DRAWING TITLE E. UPDATED MATRIX ON SH2			
A. UPDATED NOTE 1. UPDATED NOTE 4 C. UPDATED NOTE 5			
REVISED & REDRAWN PREVIOUS REVS REVD FOR CLARITY			
REV	DATE	BY	CHK
3	12-18-13	BJN	WFMI
4	8-21-18	MDJR	ROJC
ECN	DESCRIPTION		
02802-31	E. UPDATED MATRIX ON SHEET 2 TO MATCH AVAILABLE OPTIONS.		
02802-31	D. CHANGED DRAWING TITLE E. UPDATED MATRIX ON SH2		
	A. UPDATED NOTE 1. UPDATED NOTE 4 C. UPDATED NOTE 5		
	REVISED & REDRAWN PREVIOUS REVS REVD FOR CLARITY		
ECN	DATE	CHK	SCALE
	10-25-07	WFMI	NONE
SHT 1 OF 2	A		

D10100DA/14

THIS COPY IS PROVIDED ON A RESTRICTED BASIS AND IS NOT TO BE USED IN ANY WAY DETRIMENTAL TO THE INTERESTS OF PANDUIT CORP.

QUICKNET SWITCH PATCHING ASSEMBLY MATRIX

QPP	A	C	B	A	B	03
QUICKNET SWITCH HARNESS TYPE	PERFORMANCE LEVEL	FLAME/SMOKE RATING	CABLE COLOR	PLUG PACK CONFIGURATION	PLUG PACK COLOR	PATCH CORD ASSEMBLY LENGTH IN FT/M
QPP QUICKNET PLUG TO PLUG HARNESS	A - CAT 6A UTP MATRIX	C - CM	B - BLUE	A - 6 PACK	B - BLUE	03=3 FEET
	C - CAT 6 UTP	L - LOW SMOKE ZERO HALOGEN (LSZH)	W - WHITE	B - 12 PACK	W - WHITE	05=5 FEET
	D - CAT 5e UTP	D - DUAL RATING (MEETS BOTH CM AND LSZH)	G - INTERNATIONAL GRAY (FOR STP ONLY)	D - 8 PACK	R - RED	07=7 FEET
	E - CAT 6A (10Gig)/CAT 6 STP		R - CMR RISER	N - GREEN	R - RECESSED 6 PACK	10=10 FEET
	S - CAT 6 SD UTP (28AWG)	R - CMP PLENUM	R - RED	V - 6 POSITION TO UNTERMINATED	L - BLACK	14=14 FEET
	T - CAT 5e SD UTP (28AWG)		Y - YELLOW	K - 12 POSITION TO UNTERMINATED	S - SILVER (RECESSED ONLY)	1M=1 METER
	U - CAT 6A SD UTP (28AWG)		O - ORANGE	L - 8 POSITION TO UNTERMINATED	X - NO PLUG PACK	2M=2 METERS
	V - CAT 6A SD STP (28AWG)		V - VIOLET	T - 6 POSITION RECESSED TO UNTERMINATED		3M=3 METERS
	X - CAT 6A UTP MATRIX SD		L - BLACK	P - TWO 6 POSITION ON 12 CABLE HARNESS		4M=4 METERS
			A - GRAY (FOR UTP SD ONLY)	S - TWO RECESSED SIX PACKS ON 12 CABLE HARNESS		5M=5 METERS
		P - PASTEL GREEN (AP ONLY)	4 - 4 CABLES (IF NO PLUG PACK)		##=# FEET	
		K - PINK	6 - 6 CABLES (IF NO PLUG PACK)		##=# METERS	
			8 - 8 CABLES (IF NO PLUG PACK)			
			W - 12 CABLES (IF NO PLUG PACK)			
			Q - 24 CABLES (IF NO PLUG PACK)			

PART NUMBER	QPP*****	PRODUCT SPEC/PKG SPEC	N/A
I.I. NUMBER	N/A	WORK INSTRUCTION	N/A
TITLE			
QUICKNET SWITCH PATCHING HARNESS			
CUSTOMER DRAWING			
ITEM REVISION NAME		M02802EH/01	
DATASET FILE NAME		M02802EH_DC31/01F	
UNLESS OTHERWISE SPECIFIED, DIMENSIONAL TOLERANCES ARE: IN (mm)		MATERIAL:	
.x ± .1 [2.54] .xxx ± .005 [.127]		PANDUIT	
.xx ± .01 [.25] ANGLES ± 5 °			
		DRAWING NUMBER:	
		02802-31	
DRAWN BY	DATE	CHK	SCALE
MDJr	10-25-07	WFMi	NONE
REV	DATE	BY	CHK
APR			
DESCRIPTION		ECN	SIZE
			A
		SHT 2 OF 2	

D10100DA/14