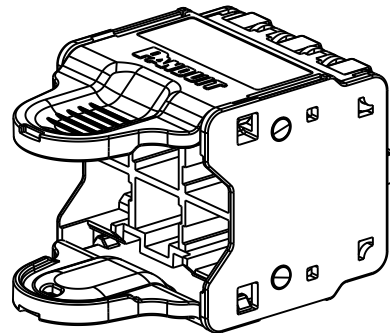
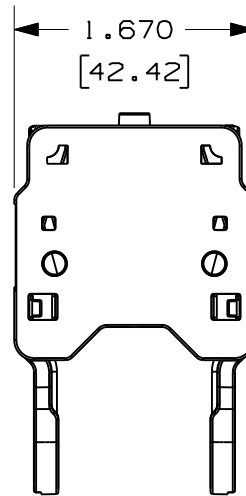
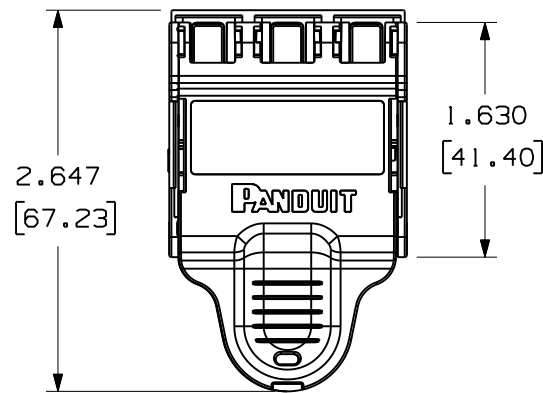
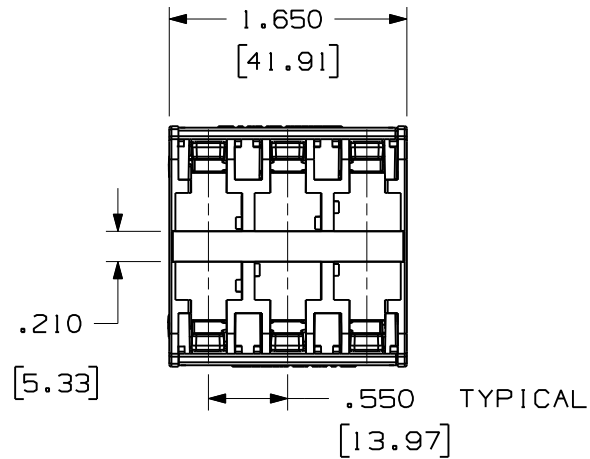


THIS COPY IS PROVIDED ON A RESTRICTED BASIS AND IS NOT TO BE USED IN ANY WAY DETRIMENTAL TO THE INTERESTS OF PANDUIT CORP.



PANDUIT PART NUMBER	COLOR	WEIGHT (APPROX)
QPPN6BU	BLUE	0.084 LB [ 38.1 g ]
QPPN6WH	WHITE	0.084 LB [ 38.1 g ]
QPPN6RD	RED	0.084 LB [ 38.1 g ]
QPPN6BL	BLACK	0.084 LB [ 38.1 g ]



NOTES:

1. AVAILABLE WITH BLUE, WHITE, RED OR BLACK RELEASE LEVERS
2. AVAILABLE WITH PATCH CORDS PREINSTALLED, BUNDLED AND LABELED. SEE CURRENT CATALOG FOR PLUG PACK ASSEMBLY PART NUMBER MATRIX.
3. GUARANTEED COMPATIBLE WITH PANDUIT PLUGS AND PATCH CORDS ONLY.
4. COMPATIBLE WITH NUMEROUS SWITCH CHASSIS AND LINE CARD DESIGNS.
5. FIT TESTING PLUG PACKS IS RECOMMENDED TO ENSURE COMPATIBILITY WITH SPECIFIC ACTIVE EQUIPMENT.
6. LOCK-IN DEVICE (QPPLD6-X) AVAILABLE TO PREVENT ACCIDENTAL PLUG PACK REMOVAL.
7. PLUG REMOVAL TOOL (QPPRT) AVAILABLE TO REMOVE INDIVIDUAL PATCH CORDS.
8. PART INCLUDES (1) 6 POSITION PLUG PACK, (2) MARKER TIES, AND (2) I.D. LABEL SETS.

MODEL FILENAME	M02802AA/06	SIZE	A
DRAWING FILENAME	M02802EE_DC19/06A		
<b>QUICKNET 6 PACK PLUG PACK CUSTOMER DRAWING</b>			
<b>PANDUIT®</b> TINLEY PARK, IL 60487		I.I. NUMBER	
		PRODUCT SPEC/ PKG SPEC	
THIRD ANGLE PROJECTION		ASSY METHOD/ TEST METHOD	
		SCALE .75 TO 1	
ALL DIMENSIONS ARE GIVEN IN INCHES, UNLESS OTHERWISE SPECIFIED. DIMENSIONAL TOLERANCES ARE: (.X) ±.03    (.XXX) ±.005 (.XX) ±.01    ANGLES ± 1°		PART NO. QPPN6**	
DRAWN BY MDJr		REVIEW DRAWING NUMBERS	
DATE 9/24/07		MAT'L ABS, GF PBT	
CHK'D WFM1		DRAWING NO. 02802-19	

REV	DATE	BY	CHK	DESCRIPTION	ECN	R	CUST	SUP	OTH
I	12-2-11	BJN	JSP	B. PACK WAS POSITION A. NEW PART NUMBER QPPN6**	02802-19	JSP	JSP		
R	10-22-07	MDJr	WFM1	RELEASED FOR PRODUCTION	02802-19		REGA		