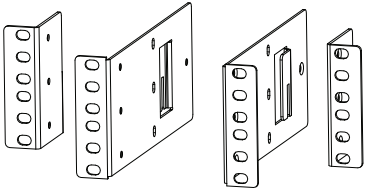


INSTRUCTIONS CM477C

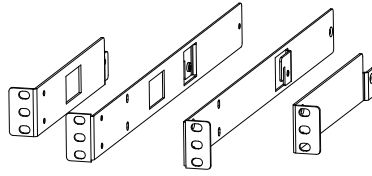
© Panduit Corp. 2010

R2P5020B



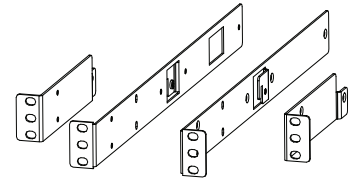
Comes with (4) packs of (4) #12-24 screws

R2P5010B



Comes with (2) packs of (4) #12-24 Screws and (1) Bag of (2) M4 flathead screws

R2P5548B



Installation Instructions for the Cisco 5020 and 5596 Switches

- 1). Install left and right rear mounting brackets to any available 2RU space on rear of rack channels using 6-8 #12-24 screws. See Figure 1.1.
- 2). Install left and right front mounting brackets to Cisco 5020 or 5596 switch as shown using (4) M4 screws on each side provided with switch.
Note: Only fasten using countersink holes. See Figure 1.2.
- 3). With front brackets orientated in front of the rack, nest front and rear brackets together. Fasten together using remaining M4 screws into counter sunk holes. See Figure 1.3.
- 4). Fasten front mounting bracket to front of rack using 6-8 #12-24 Screws. See Figure 1.4

Figure 1.1

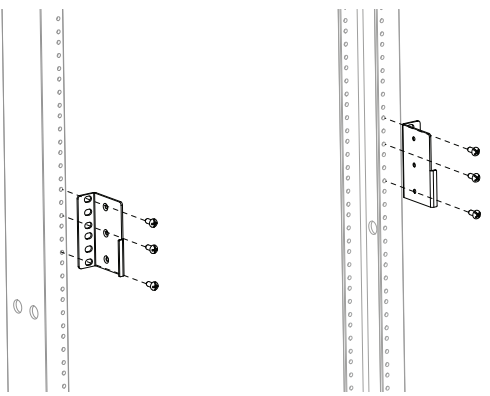


Figure 1.2

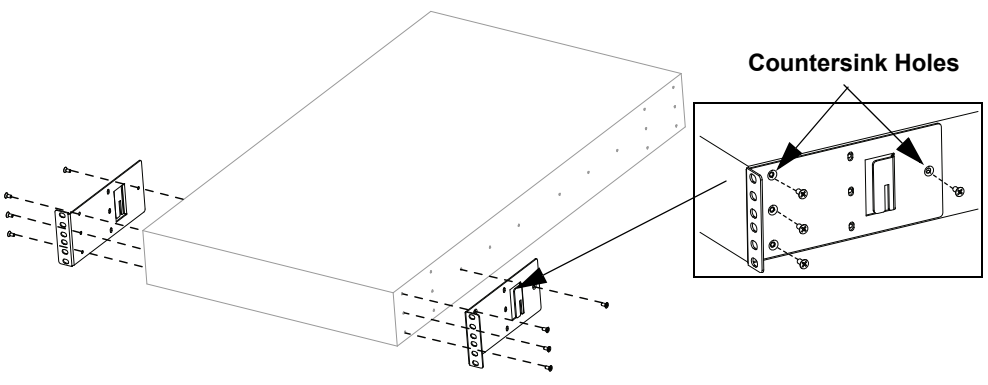


Figure 1.3

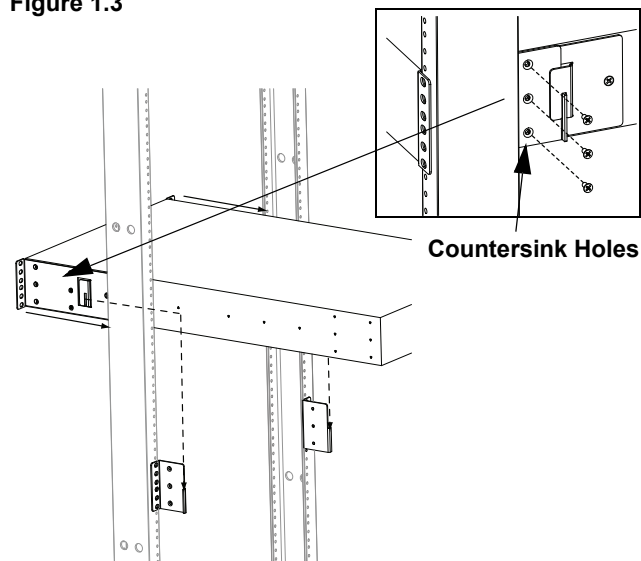
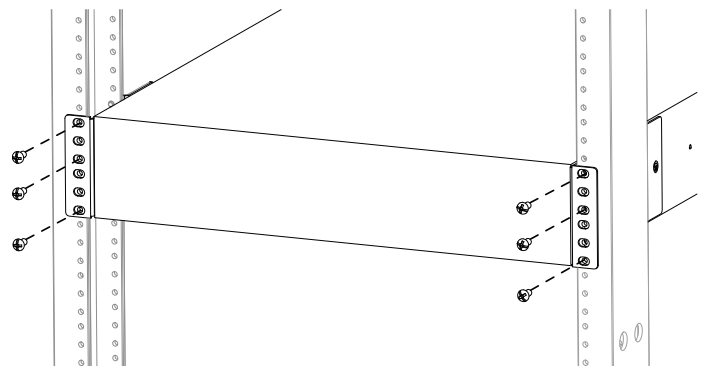


Figure 1.4



Installation Instructions for the Cisco 5010 and 5548 Switch

- 1). Install left and right rear mounting brackets to any available 1RU space on rear of rack channels using 4 #12-24 screws. See Figure 2.1.
- 2). Install left and right front mounting brackets to Cisco 5020 or 5548 switch as shown using (5) M4 screws on each side provided with switch.
Note: Only fasten using countersink holes. See Figure 2.2.
- 3). With front brackets orientated in front of the rack, nest front and rear brackets together. Fasten together using remaining M4 screws into counter sunk holes. **Note:** Panduit provides (2) M4 screws in each bracket kit to complete mounting application. See Figure 2.3.
- 4). Fasten front mounting bracket to front of rack using 4 #12-24 Screws. See Figure 2.4

Figure 2.1

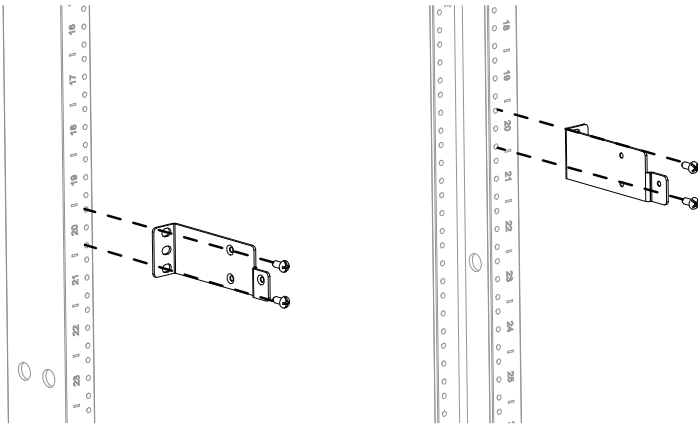


Figure 2.2

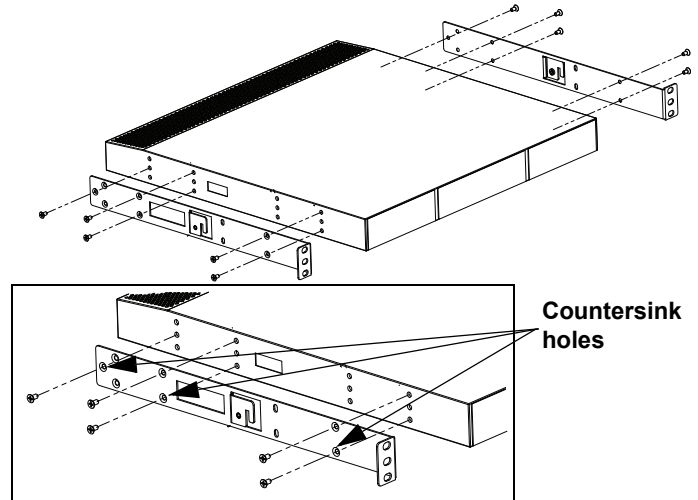


Figure 2.3

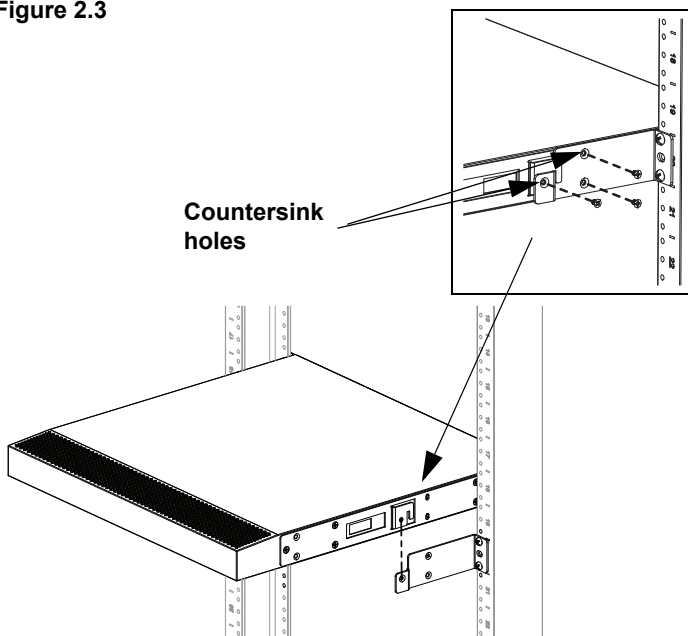
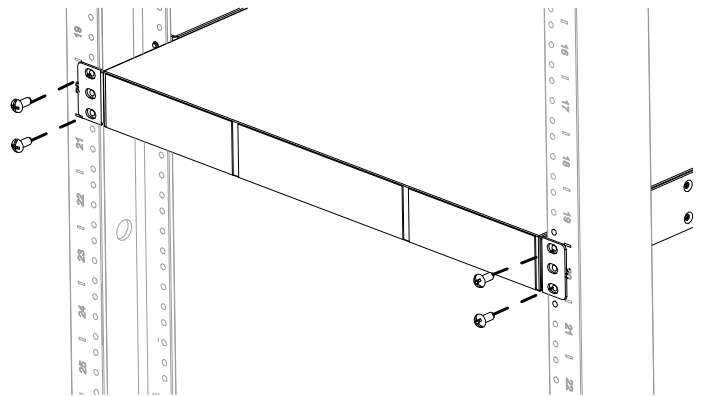


Figure 2.4



For instructions in Local Languages
and Technical Support:

www.panduit.com/resources/install_maintain.asp

PANDUIT[®]

www.panduit.com

Page 2 of 2

E-mail:
cs@panduit.com
Fax:
(708)444-6448